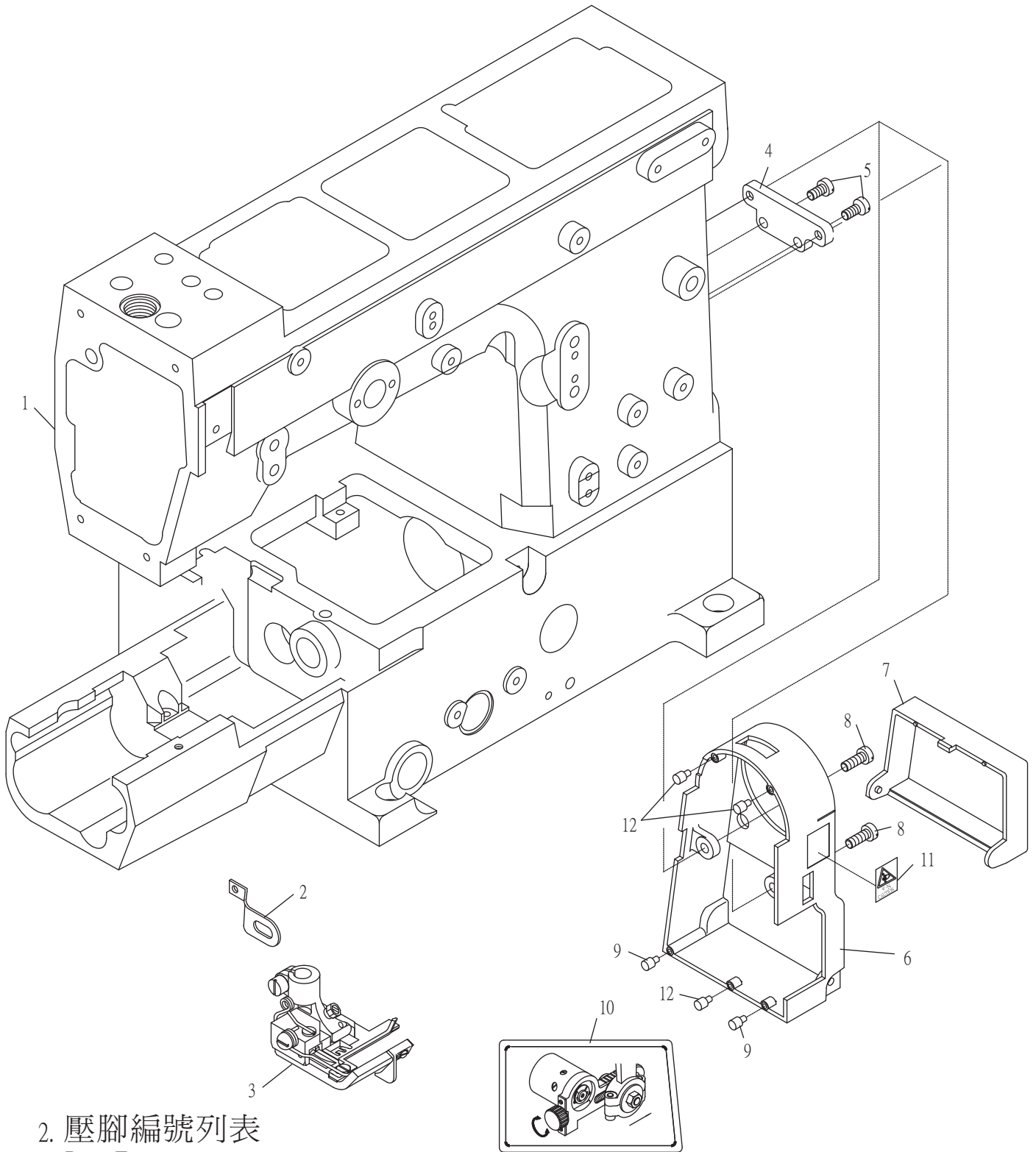


1.本體、壓腳及護蓋 Frame, Press Foot And Conservation Cover



2. 壓腳編號列表

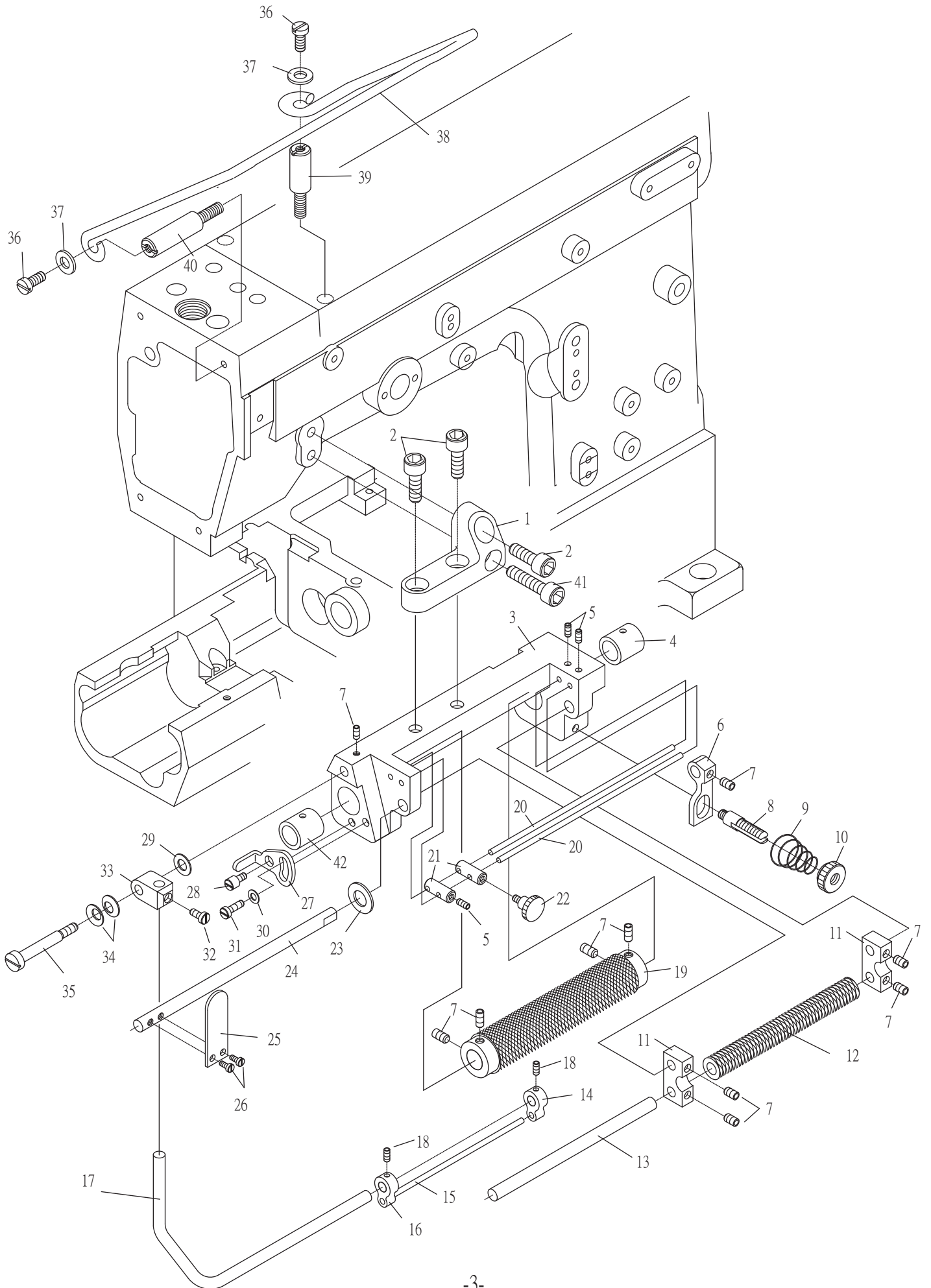
Press Foot

壓腳針距 Press foot	圖號 Parts No.
5.6	5221PF39560 (PFF39560)
6.4	5221PF39640 (PFF39640)

1.本體、壓腳及護蓋 Frame, Press Foot And Conservation Cover

序號 Ref.No.	圖號 Parts No.	名稱 Description	單位用量 Amt .Req.
1	2200390101	車頭 Frame Unit -----	1
2	2210390129	護指環 Safety Plate Holder -----	1
3	-----	壓腳 Presser Foot ASM -----	1
4	2210390120	承座 Seat -----	1
5	2210390123	螺絲 Screw -----	2
6	2210390121	連桿護罩 Cover -----	1
7	2210390122	護蓋 Cover -----	1
8	2210390124	螺絲 Screw -----	2
9	2210390125	減震橡膠 Rubber Cushion -----	2
10	2210390126	貼紙 Label -----	1
11	2210390127	貼紙 Label -----	1
12	2210390139	減震橡膠 Rubber Cushion -----	3

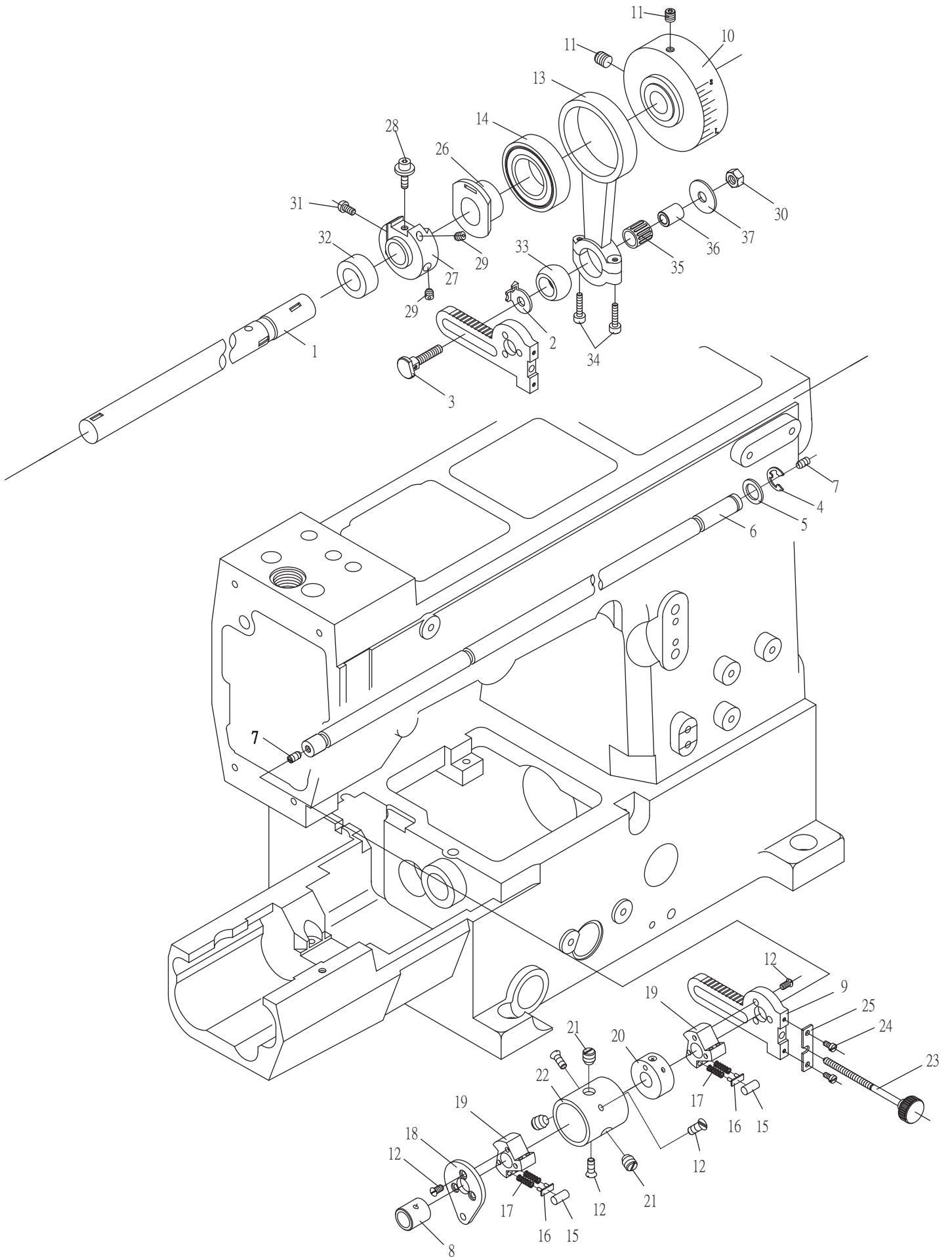
2.送鬆緊帶傳送機構列表(A) Metering Device Mechanism Components (A)



2.送鬆緊帶傳送機構列表(A) Metering Device Mechanism Components (A)

序號 Ref.No.	圖號 Parts No.	名稱 Description	單位用量 Amt .Req.
1	2210390301	支架 Roller Holder Bracket -----	1
2	8MM06401510A	螺絲 Screw -----	3
3	2210390303	滾輪 支架 Roller Holder -----	1
4	2210090304	軸襯 Bushing -----	1
5	8MN03200300A	螺絲 Screw -----	3
6	2210090306	調壓臂 Spring Hoider -----	1
7	8MN04280500C	螺絲 Screw -----	10
8	2210090308	調節螺樁 Stud -----	1
9	2210090309	彈簧 Spring -----	1
10	2210090310	調整螺帽 Adjusting Nut -----	1
11	2210090311	從動滾輪臂 Arm -----	2
12	2210090312	從動滾輪 Tension Roller -----	1
13	2210090313	軸 Shaft -----	1
14	2210090314	右導模 Tape Guide (R) -----	1
15	2210090315	導模滑桿 Tape Guide Bar -----	1
16	2210090316	左導模 Tape Guide (L) -----	1
17	2210090317	導模承桿 Tape Guide Support Bar -----	1
18	8MN03200300A	螺絲 Screw -----	2
19	2210090319	主動滾輪 Feeding Roller -----	1
20	2210090320	導模導桿 Tape Guide Bar -----	2
21	2210090321	導模 Tape Guide -----	2
22	2210090322	固定螺樁 Knob Screw Stud -----	1
23	2210000533	墊圈 Washer -----	1
24	2210090324	軸 Tension Link Shaft -----	1
25	2210090325	釋壓板手 Press Release -----	1
26	8MB03200606K	螺絲 Screw -----	2
27	2210090327	限位片 Stopper -----	1
28	2210090328	螺絲 Screw -----	1
29	2100000223	墊圈 Washer -----	1
30	2100000223	墊圈 Washer -----	1
31	8MB04281007K	螺絲 Screw -----	1
32	8SB44400807A	螺絲 Screw -----	1
33	2210090333	接頭 Joint -----	1
34	2200000228	彈簧墊圈 Conical Spring Washer -----	2
35	8MB04283809E	螺樁 Stud -----	1
36	8MC04281207D	螺絲 Screw -----	2
37	2100000223	墊圈 Washer -----	2
38	4TB0000101	帶架 Tape Holder -----	1
39	2210600116	螺樁 Stud -----	1
40	4TB0000103	螺樁 Stud -----	1
41	8MM06402010A	螺絲 Screw -----	1
42	2210390342	軸襯 Bushing -----	1

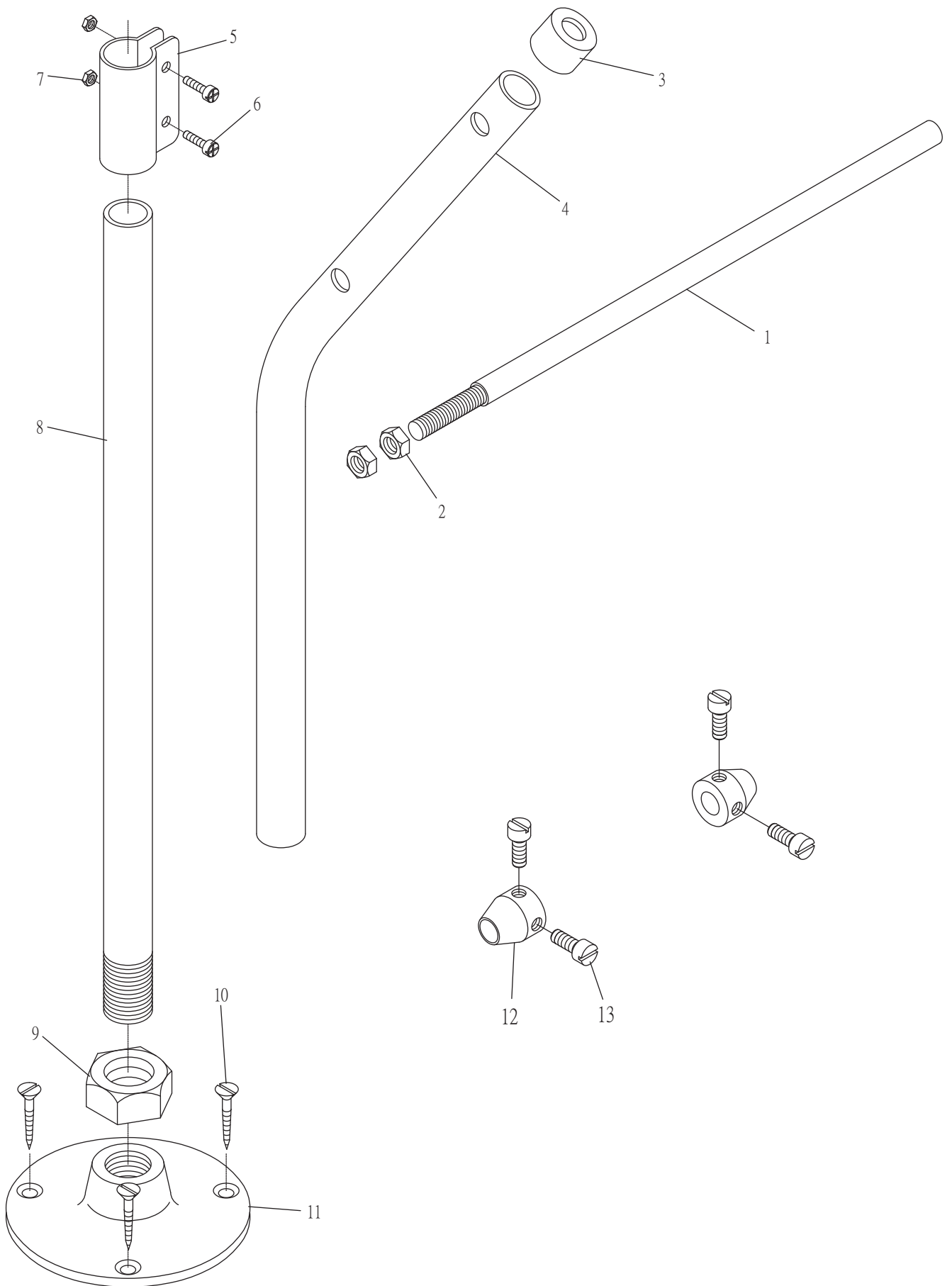
3.送鬆緊帶傳送機構列表(B) Metering Device Mechanism Components (B)



3.送鬆緊帶傳送機構列表(B) Metering Device Mechanism Components (B)

序號 Ref.No.	圖號 Parts No.	名稱 Description	單位用量 Amt .Req.
1	2210390401	軸 Roller Shaft -----	1
2	2210390402	指標墊圈 Pointer -----	1
3	2210390403	連桿銷 Connect Pin -----	1
4	90ER080	E形扣環 E Ring -----	1
5	2210390405	墊圈 Washer -----	1
6	2210390406	軸 Shaft -----	1
7	8MH05320400A	螺絲 Screw -----	2
8	2210090408	軸襯 Bushing -----	1
9	2210390409	離合器連桿 Clutch Lever -----	1
10	2210390410	手輪 Handwheel -----	1
11	8MN06400800A	螺絲 Screw -----	2
12	8SF36400606A	螺絲 Screw -----	9
13	2210390413	連桿 Rod -----	1
14	90BB2547127	滾珠軸承 Bearing -----	1
15	4RP0010225	離合器滾柱 Clutch Roller -----	6
16	4RP0010224	滾柱承座 Clutch Roller Base -----	6
17	4RP0010223	彈簧 Clutch Spring -----	12
18	2210390418	離合器制動板 Clutch Plate -----	1
19	4RP0010221	離合器 Clutch -----	2
20	2210090420	內環 Clutch Sleeve Collar -----	1
21	8MN06400800A	螺絲 Screw -----	3
22	2210090422	外環 Clutch Sleeve -----	1
23	2210090423	調整螺絲 Adjusting Screw -----	1
24	8MB03200606K	螺絲 Screw (CT1207 M3-0.5*6) -----	2
25	2210390425	止動片 Stopper -----	1
26	2210390426	滑塊 Upper Feed Roller Eccentric -----	1
27	4RP0010323	滑軌 Upper Feed Roller Regulator -----	1
28	2210390428	調整螺絲 Adjusting Screw -----	1
29	8MN05320500E	螺絲 Screw -----	2
30	2210390430	螺帽 Nut -----	1
31	8MB04280807K	螺絲 Screw -----	1
32	2210390432	隔環 Spacer -----	1
33	2210390433	萬向肘 Ball -----	1
34	2210390434	螺絲 Screw -----	1
35	90NB101313	滾針軸承 Needle Bearing -----	1
36	2210390436	襯套 bushing -----	1
37	2210390437	墊圈 Washer -----	1

4.TS003滾條架



4.TS003滾條架

序號 Ref.No.	圖號 Parts No.	名稱 Description	單位用量 Amt .Req.
1	4TS0030101	軸 Shaft -----	1
2	8SA79180613A	螺絲 Screw -----	2
3	4TS0060103	柱帽 Rod Cup -----	1
4	4TS5060104	上柱 Upper Thread Stand Rod -----	1
5	4TS5060105	接頭 Bracket -----	1
6	8SC48321708D	螺絲 Screw -----	2
7	8SA48320409B	螺帽 Nut -----	2
8	4TS0060108	下柱 Lower Thread Stand Rod -----	1
9	4TS0060109	螺帽 Nut -----	1
10	8WF50202210A	木螺絲 Wood Screw -----	3
11	4TS0060111	座 Stand Base -----	1
12	4TS0060112	限動環 Stop Coller -----	2
13	8SH56320500A	螺絲 Screw -----	4