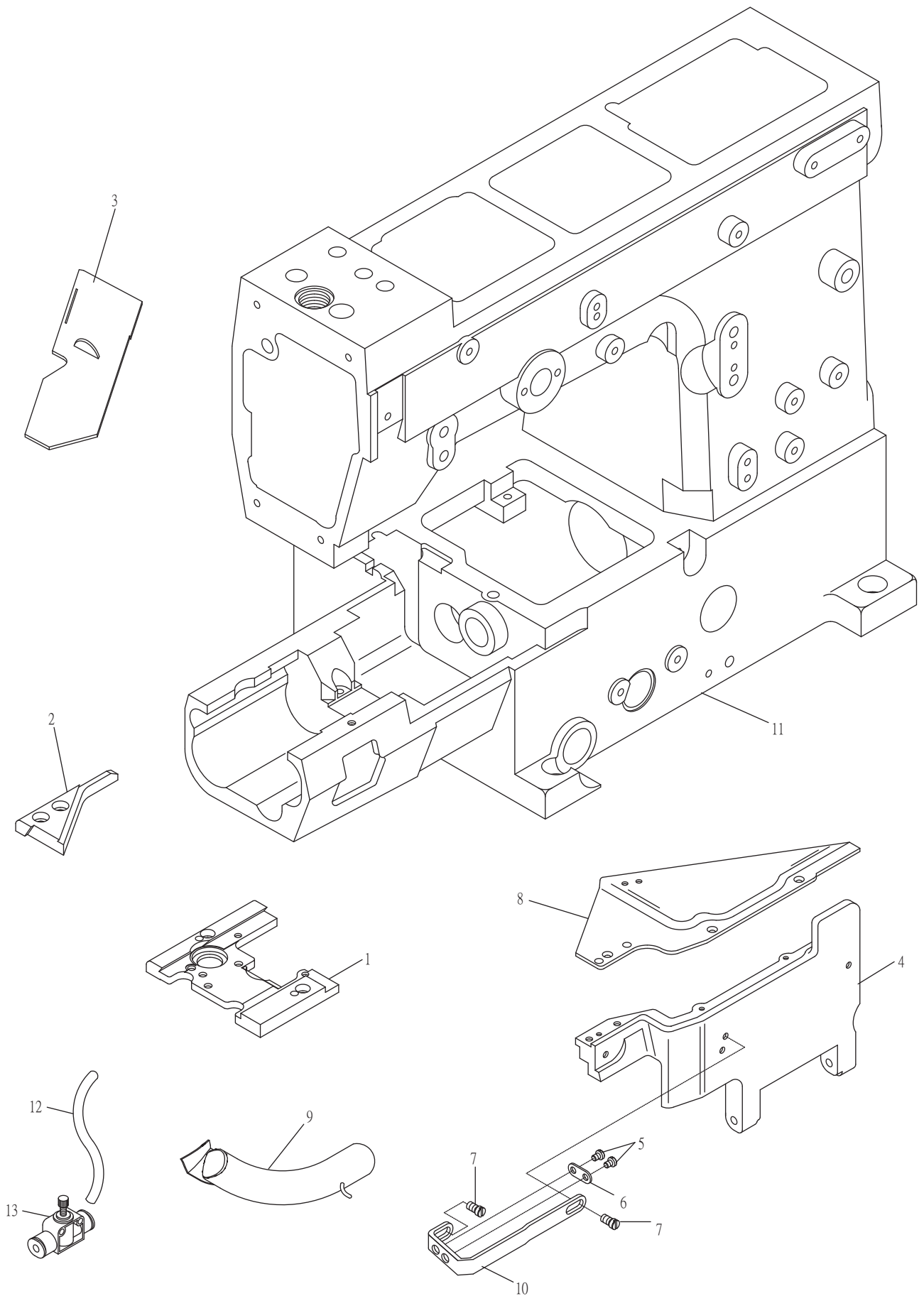


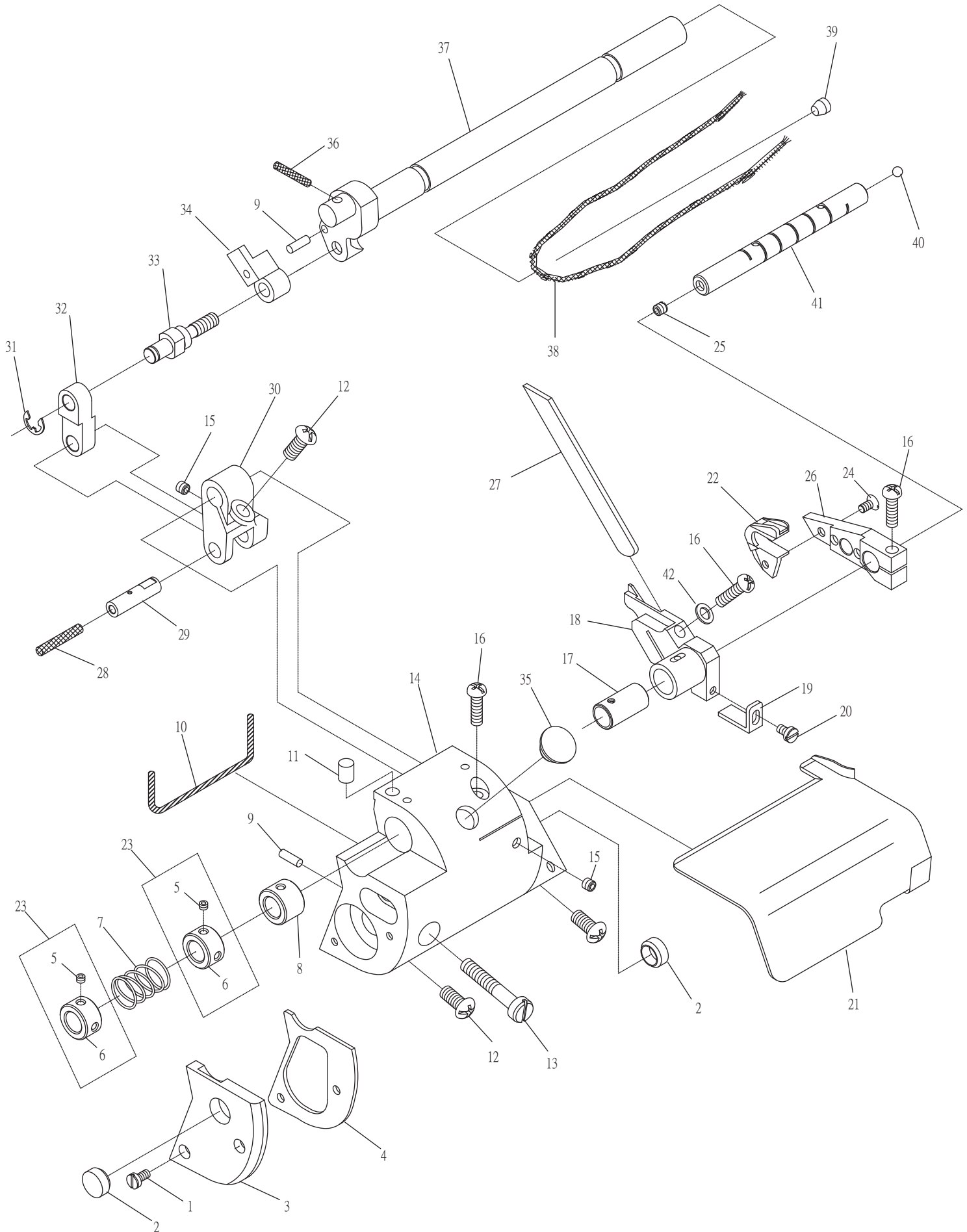
1. CT4629/CT4729/CT6229/CT6529/CT4639/CT4739/CT6239/CT6539 專用零件 (A)  
CT4629/CT4729/CT6229/CT6529/CT4639/CT4739/CT6239/CT6539 Exclusive Parts (A)



1. CT4629/CT4729/CT6229/CT6529/CT4639/CT4739/CT6239/CT6539 專用零件 (A)  
 CT4629/CT4729/CT6229/CT6529/CT4639/CT4739/CT6239/CT6539 Exclusive Parts (A)

序號 Ref.No.	圖號 Parts No.	名稱 Description	單位用量 Amt .Req.
1	2200850101	針板座 Stitch Plate Support -----	1
2	2200850102	滑道 Supplementary Slide Cover -----	1
3	2200850103	防塵蓋 Slide Cover -----	1
4	2200850104	下軸前蓋 Front Cover -----	1
5	8MB03200606K	螺絲 Screw (CT1207 M3-0.5*6) -----	2
6	2200850106	墊圈 Washer -----	1
7	8MB04280807K	螺絲 Screw (CT0215 M4-0.7*8) -----	2
8	2200850108	護線蓋 Cloth Plate -----	1
9	2200850109	吸風管 Suction Pipe -----	1
10	2200850111	支架 Suction Pipe Support -----	1
11	2200390111	車頭 Frame Unit -----	1
12	2206110227	空氣管 Air Tube -----	1
13	2206110228	節流閥 Speed Controller -----	1

2. CT4629/CT4729/CT6229/CT6529/CT4639/CT4739/CT6239/CT6539/CT4785  
/CT6585專用零件(B) EXCLUSIVE PARTS(B)

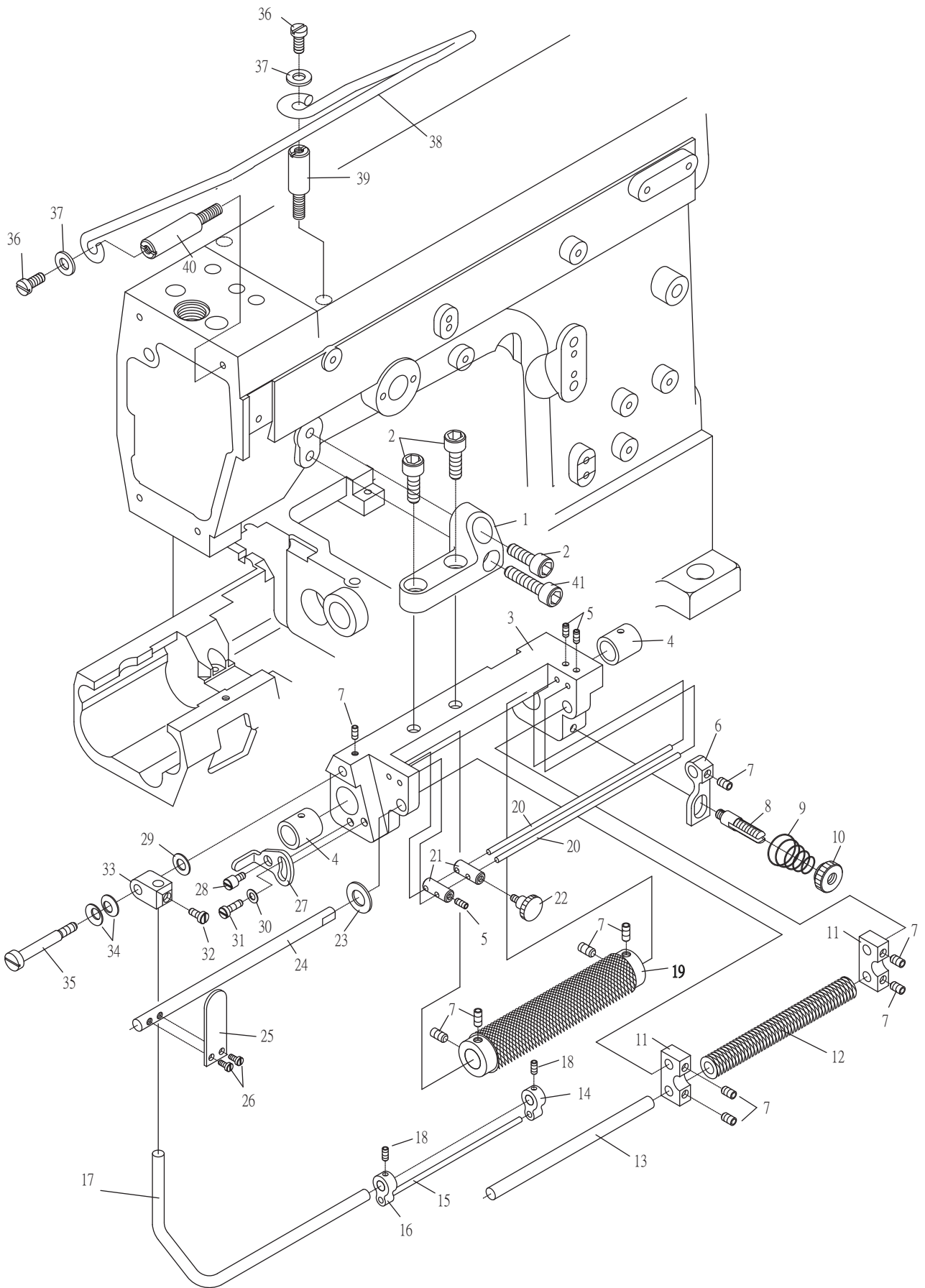


## 2. CT4629/CT4729/CT6229/CT6529/CT4639/CT4739/CT6239/CT6539/CT4785

## /CT6585專用零件(B) EXCLUSIVE PARTS(B)

序號 Ref.No.	圖號 Parts No.	名稱 Description	單位用量 Amt .Req.
1	8MB03200606K	螺絲 Screw (CT1207 M3-0.5*6)	2
2	2200850202	孔塞 Seal Plug	2
3	2200850203	下刀座前蓋 Bracket Cover	1
4	2200850204	油封 Bracket Cover Gasket	1
5	8MN03200300A	螺絲 Screw (CT0115 M3-0.5*3)	4
6	2210000534	固定環 Collar (8*13*6)	2
7	2206110131	彈簧 Spring	1
8	2200850208	軸襯 Bushing	1
9	90ST0308	定位銷 Knock Pin	3
10	2200850210	油封 Gasket	1
11	22000002471	孔塞 Seal Plug	1
12	8MB05321008K	螺絲 Screw (CT0233 M5-0.8*10)	3
13	8MB05323009B	螺絲 Screw (CT1024 M5-0.8*30)	1
14	2200850214	下刀座 Lower Knife Holder Bracket	1
15	8MN04280400A	螺絲 Screw (CT0229 M4-0.7*4)	2
16	8MC04281407D	螺絲 Screw (CT0225 M4-0.7*14)	3
17	2200850217	軸襯 Bushing	1
18	2200850218	下刀台 Lower Knife Holder	1
19	2200850219	限位片 Guide	1
20	8MB03200506K	螺絲 Screw (CT0525 M3-0.5*5)	1
21	2200850221	導模 Guide	1
22	2200850222	上刀 Upper Knife	1
23	221A0000563	定位環組 Collar Asm.	2
24	8ME03200606A	螺絲 Screw (CT0235 M3-0.5*4.5)	1
25	8MH04280400A	螺絲 Screw (CT1134 M4-0.7*4)	1
26	2200850226	上刀座 Upper knife Holder	1
27	2200850227	下刀 Lower Knife	1
28	66800	油線 Oil Wick	1
29	2200850229	銷 Pin	1
30	2200850230	連桿 Lever	1
31	90ER040	E形扣環 E Ring (E4)	1
32	2200850232	連桿 Lever	1
33	2200850233	結合銷 Screwed Pin	1
34	2200850234	連桿 Lever	1
35	22000001091	孔塞 Plug	1
36	66802	油線 Oil Wick	1
37	2200850237	軸 Feed Lift Shaft	1
38	66800	油線 Oil Wick	1
39	2200001243	孔塞 Seal Plug	2
40	2100000403	孔塞 Seal Plug	1
41	2200850241	軸 Upper Knife Shaft	1
42	2206110148	墊圈 Washer	1

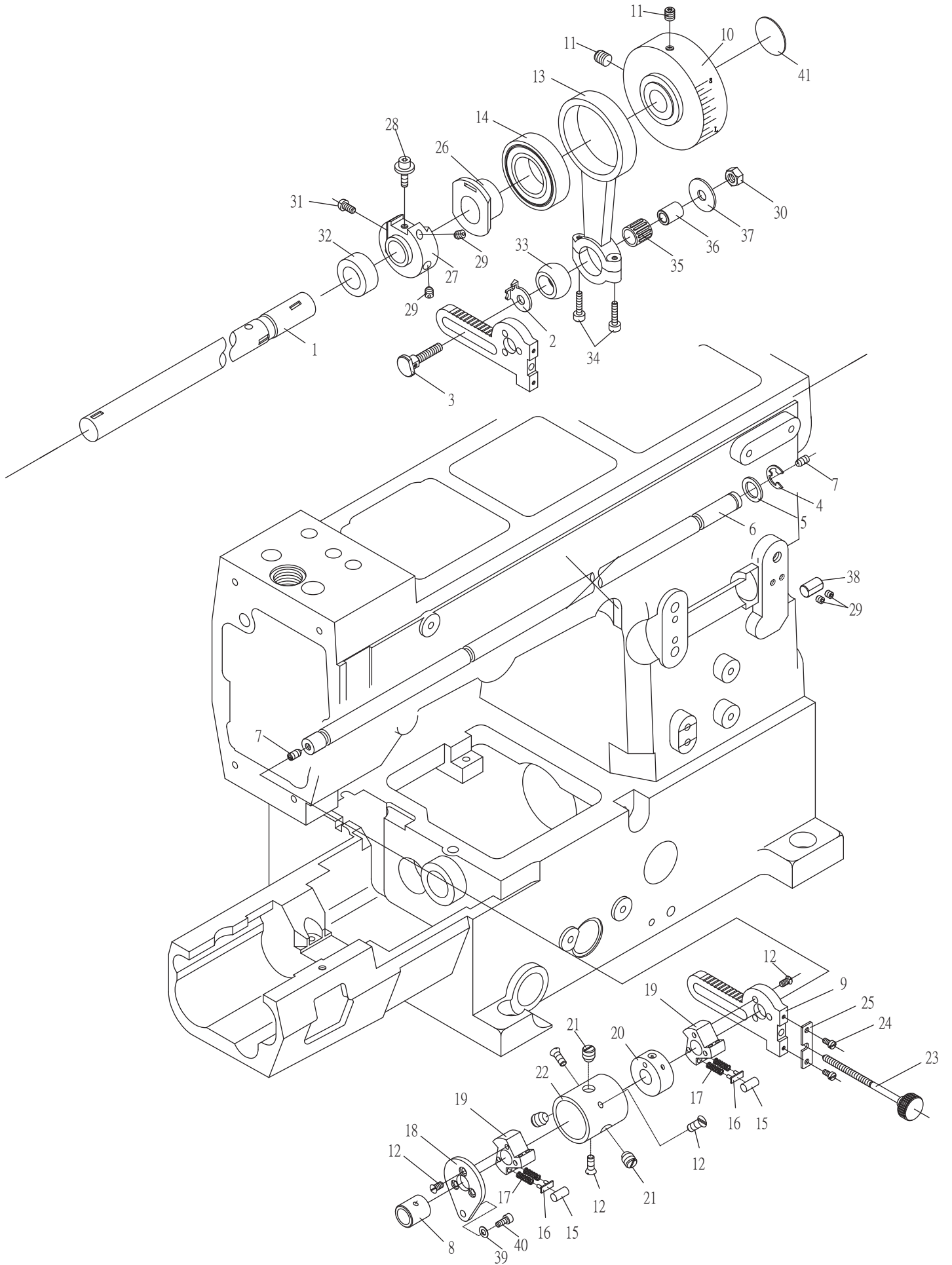
3.送鬆緊帶傳送機構列表(A) Metering Device Mechanism Components (A)



### 3.送鬆緊帶傳送機構列表(A) Metering Device Mechanism Components (A)

序號 Ref.No.	圖號 Parts No.	名稱 Description	單位用量 Amt .Req.
1	2210390301	支架 Roller Holder Bracket -----	1
2	8MM06401510A	螺絲 Screw (RP0307 M6-1*35)-----	3
3	2210390303	滾輪支架 Roller Holder -----	1
4	2210090304	軸襯 Bushing -----	2
5	8MN03200300A	螺絲 Screw (CT0115 M3-0.5*3)-----	3
6	2210090306	調壓臂 Spring Hoider -----	1
7	8MN04280500C	螺絲 Screw (MT0616 M4-0.7*5)-----	10
8	2210090308	調節螺樁 Stud -----	1
9	2210090309	彈簧 Spring -----	1
10	2210090310	調整螺帽 Adjusting Nut -----	1
11	2210090311	從動滾輪臂 Arm -----	2
12	2210090312	從動滾輪 Tension Roller -----	1
13	2210090313	軸 Shaft -----	1
14	2210090314	右導模 Tape Guide(R) -----	1
15	2210090315	導模滑桿 Tape Guide Bar -----	1
16	2210090316	左導模 Tape Guide(L) -----	1
17	2210090317	導模承桿 Tape Guide Support Bar -----	1
18	8MN03200300A	螺絲 Screw (CT0115 M3-0.5*3)-----	2
19	2210090319	主動滾輪 Feeding Roller -----	1
20	2210090320	導模導桿 Tape Guide Bar -----	2
21	2210090321	導模 Tape Guide -----	2
22	2210090322	固定螺樁 Knob Screw Stud -----	1
23	2210000533	墊圈 Washer -----	1
24	2210090324	軸 Tension Link Shaft -----	1
25	2210090325	釋壓板手 Press Release -----	1
26	8MB03200606K	螺絲 Screw (CT1207 M3-0.5*6)-----	2
27	2210090327	限位片 Stopper -----	1
28	2210090328	螺絲 Screw -----	1
29	2100000223	墊圈 Washer -----	1
30	2100000223	墊圈 Washer -----	1
31	8MB04281007K	螺絲 Screw (CT1237 M4-0.7*10) -----	1
32	8SB44400807A	螺絲 Screw (SH0309 11/64"-40*8) -----	1
33	2200090333	接頭 Joint -----	1
34	2200000228	孟形墊圈 Disk Washer -----	2
35	8MB04283809E	螺樁 Stud (CT0227 M4-0.7*38) -----	1
36	8MC04281207D	螺絲 Screw (CT0102 M4-0.7*12) -----	2
37	2100000223	墊圈 Washer -----	2
38	4TB0010101	帶架 Tape Holder -----	1
39	2210600116	螺樁 Stud -----	1
40	4TB0010103	螺樁 Stud -----	1
41	8MM06402010A	螺絲 Screw (SH0444 M6-1*20) -----	1

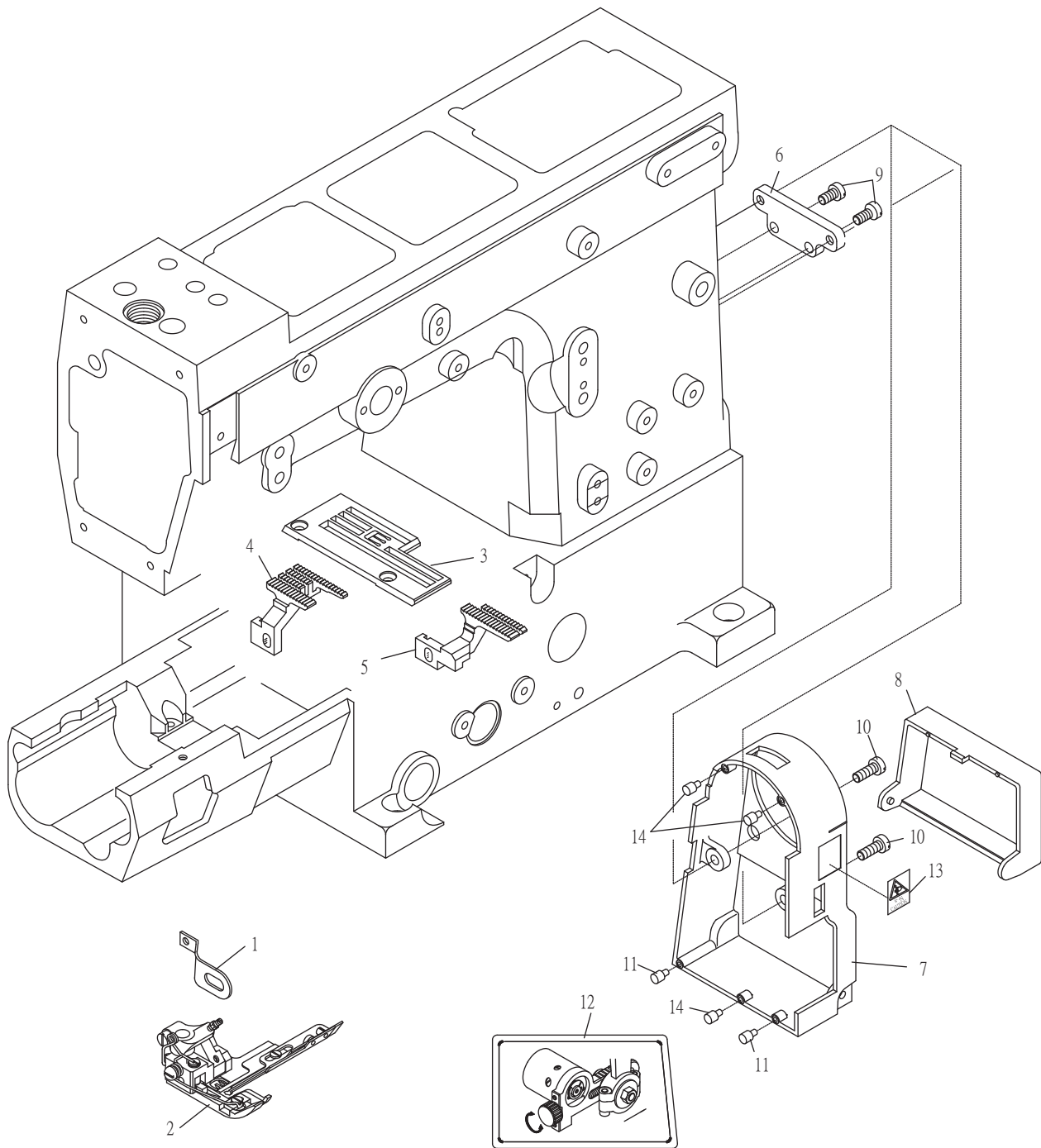
4.送鬆緊帶傳送機構列表(B) Metering Device Mechanism Components (B)



#### 4.送鬆緊帶傳送機構列表(B) Metering Device Mechanism Components (B)

序號 Ref.No.	圖號 Parts No.	名稱 Description	單位用量 Amt .Req.
1	2210390401	軸 Roller Shaft -----	1
2	2210390402	指標墊圈 Pointer -----	1
3	2210390403	連桿銷Connect Pin -----	1
4	90ER080	E形扣環 E Ring -----	1
5	2210390405	墊圈 Washer -----	1
6	2210390406	軸 Shaft -----	1
7	8MH05320400A	螺絲 Screw CT0523 M5-0.8*4) -----	2
8	2210090408	軸襯 Bushing -----	1
9	2210390409	離合器連桿 Clutch Lever -----	1
10	2210390410	手輪 Handwheel -----	1
11	8MN06400800A	螺絲 Screw (CT0549 M6-1*8) -----	2
12	8SF36400606A	螺絲 Screw RP0217 9/64"-40*7) -----	9
13	2210390413	連桿 Rod -----	1
14	90BB2547127	滾珠軸承 Bearing -----	1
15	4RP0010225	離合器滾柱 Clutch Roller -----	6
16	4RP0010224	滾柱承座 Clutch Roller Base -----	6
17	4RP0010223	彈簧 Clutch Spring -----	12
18	2210390418	離合器制動板 Clutch Plate -----	1
19	4RP0010221	離合器 Clutch -----	2
20	2210090420	內環 Clutch Sleeve Collar -----	1
21	8MN06400800A	螺絲 Screw (CT0549 M6-1*8) -----	3
22	2210090422	外環 Clutch Sleeve -----	1
23	2210090423	調整螺絲 Adjusting Screw -----	1
24	8MB03200606K	螺絲 Screw (CT1207 M3-0.5*6) -----	2
25	2210390425	止動片 Stopper -----	1
26	2210390426	滑塊 Upper Feed Roller Eccentric -----	1
27	4RP0010323	滑軌 Upper Feed Roller Regulator -----	1
28	2210390428	調整螺絲 Adjusting Screw -----	1
29	8MN05320500E	螺絲 Screw (CT0903 M5-0.8*5) -----	4
30	2210390430	螺帽 Nut -----	1
31	8MB04280807K	螺絲 Screw (CTS0215 M4-0.7*8) -----	1
32	2210390432	隔環 Spacer -----	1
33	2210390433	萬向肘 Ball -----	1
34	2210390434	螺絲 Screw -----	1
35	90NB101313	滾針軸承 Needle Bearing -----	1
36	2210390436	襯套 Bushing -----	1
37	2210390437	墊圈 Washer -----	1
38	2210390438	旋臂軸 Shaft -----	1
39	2100000223	墊圈 Washer -----	1
40	8MM04281007A	螺絲 Screw -----	1
41	66480-11	銘板 Plate -----	1

5. 壓腳,針板,送布齒及各項護蓋列表 Press Foot, Needle Plate, Feed Dog And Conservation Covers.



2. 壓腳編號列表

Press Foot

壓腳針距 Press foot	圖號 Parts No.
4.0	5220PF39400 (PFC39400)
4.8	5220PF39480 (PFC39480)
5.6	5220PF39560 (PFC39560)
6.4	5220PF39640 (PFC39640)

3. 針板編號列表

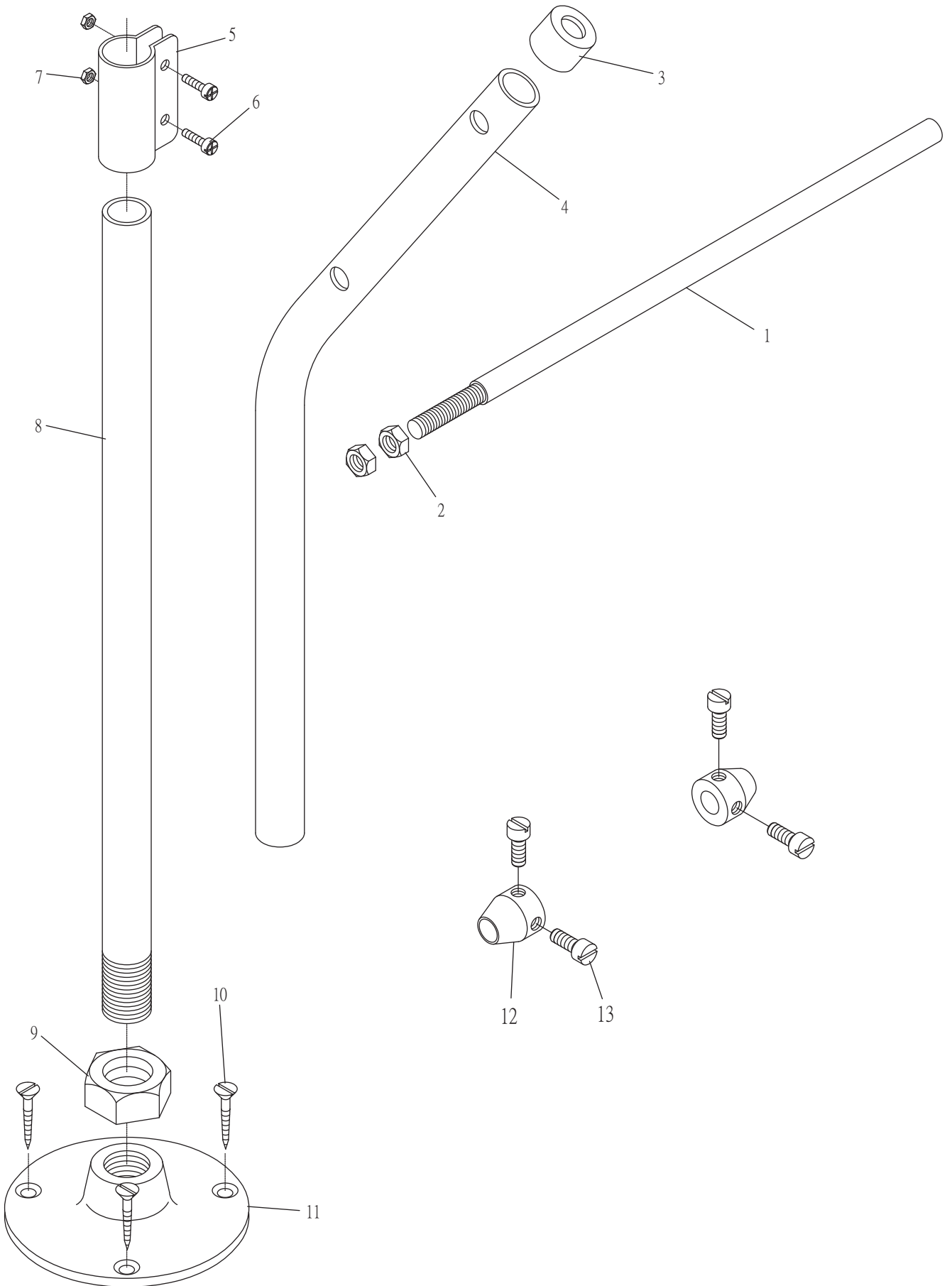
Needle Plate

針板針距 Thread plate	圖號 Parts No.
4.0	5220TP85400 (TPC85400)
4.8	5220TP85480 (TPC85480)
5.6	5220TP85560 (TPC85560)
6.4	5220TP85641 (TPC85641)

5.壓腳,針板,送布齒及各項護蓋列表 Press Foot, Needle Plate, Feed Dog And Conservation Covers.

序號 Ref.No.	圖號 Parts No.	名稱 Description	單位用量 Amt .Req.
1	2210390129	護指環 Safety Plate Holder -----	1
2	-----	壓腳 Presser Foot ASM -----	1
3	-----	針板 Throat Plate -----	1
4	5220FD85561	主送布齒 Main Feed Dog -----	1
5	5220DF85561	副送布齒 Diff. Feed Dog -----	1
6	2210390120	承座 Seat -----	1
7	2210390121	連桿護罩 Cover -----	1
8	2210390122	護蓋 Cover -----	1
9	2210390123	螺絲 Screw -----	2
10	2210390124	螺絲 Screw -----	2
11	2210390125	減震橡膠 Rubber Cushion -----	2
12	2210390126	貼紙 Label -----	1
13	2210390127	貼紙 Label -----	1
14	2210390139	減震橡膠 Rubber Cushion -----	3

4.TS003滾條架



#### 4.TS003滾條架

序號 Ref.No.	圖號 Parts No.	名稱 Description	單位用量 Amt .Req.
1	4TS0030101	軸 Shaft -----	1
2	8SA79180613A	螺絲 Screw -----	2
3	4TS0060103	柱帽 Rod Cup -----	1
4	4TS5060104	上柱 Upper Thread Stand Rod -----	1
5	4TS5060105	接頭 Bracket -----	1
6	8SC48321708D	螺絲 Screw -----	2
7	8SA48320409B	螺帽 Nut -----	2
8	4TS0060108	下柱 Lower Thread Stand Rod -----	1
9	4TS0060109	螺帽 Nut -----	1
10	8WF50202210A	木螺絲 Wood Screw -----	3
11	4TS0060111	座 Stand Base -----	1
12	4TS0060112	限動環 Stop Coller -----	2
13	8SH56320500A	螺絲 Screw -----	4