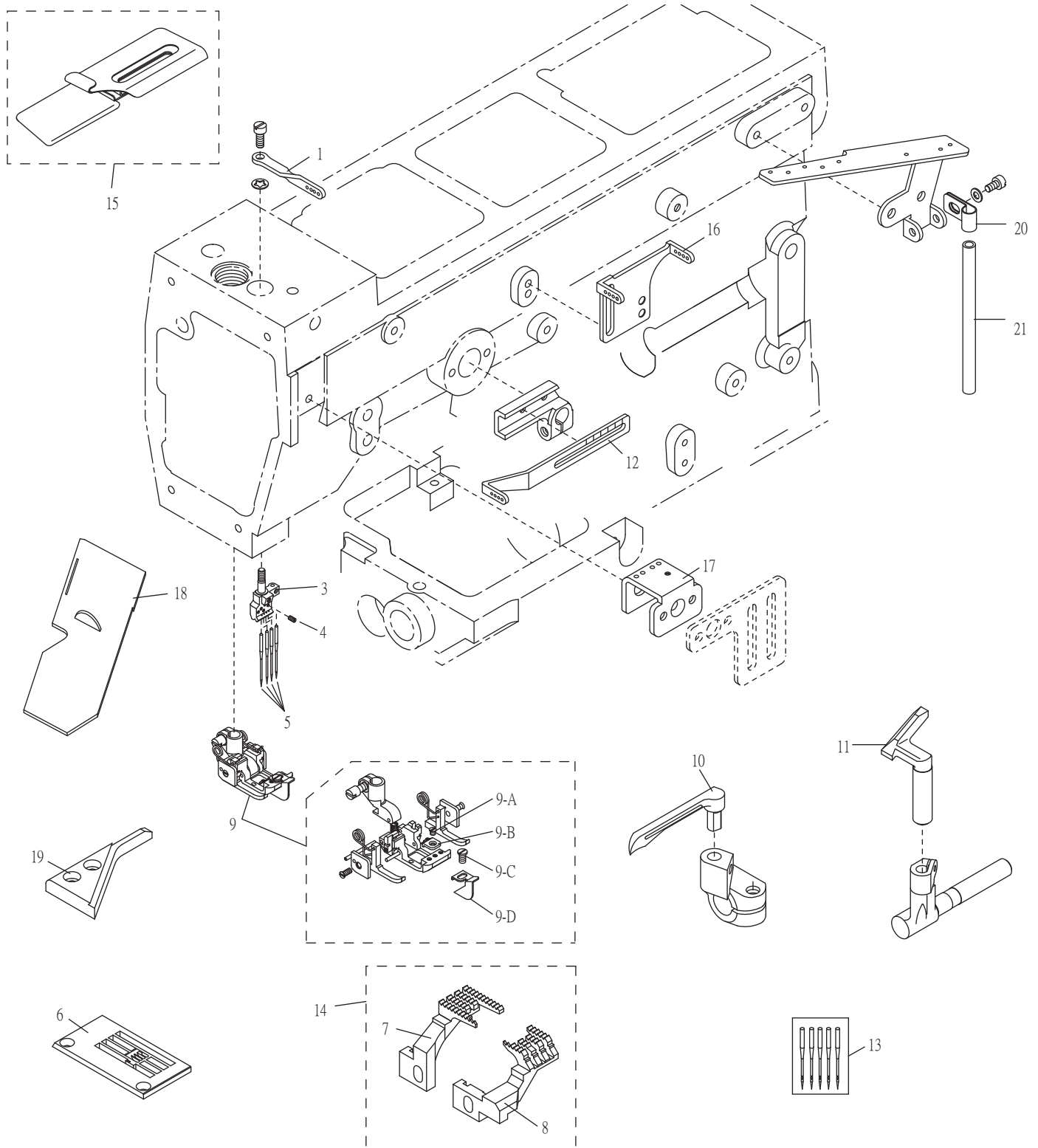


1. CT6760 筒型四針用零件列表

Parts List For CT6760 4-Needle Cylinder Type For Flat-Seaming / Flat-Lock



序號 Ref.No.	名稱 Description	針距 Distance Of Needles			
		5.2	5.6	6.0	6.4
3	針留 Needle Clamp	5221NC60520	5221NC60560	5221NC60600	5221NC60640
6	針板 Needle Plate	5221TP60520	5221TP60560	5221TP60600	5221TP60640
9	壓腳 Presser Foot	5221PF60520	5221PF60560	5221PF60600	5221PF60640
9-B	壓腳舌 Presser Foot Tongue	5221PF6052A	5221PF6056A	5221PF6060A	5221PF6064A

1. CT6760 筒型四針用零件列表

Parts List For CT6760 4-Needle Cylinder Type For Flat-Seaming / Flat-Lock

序號	物料編號	名稱	單位用量
Ref. No.	Parts Number	Description	Amt. Req.
1	2210600118	導線 Thread Guide -----	1
2	-----	-----	-
3	-----	針留 Needle Clamp (See Left Page) -----	1
4	8SC24560303B	螺絲 Screw (F600130 3/32"-56*3)-----	5
5	66734-11-5	針 Needle (SCHMETZ Canu:34:22 1 NM: 75 #11) -----	1
6	-----	針板 Needle Plate(See Left Page) -----	1
7	5220FD60561	主送布齒 Main Feed Dog(See Left Page) -----	1
8	5220DF60560	副送布齒 Diff Feed Dog(See Left Page) -----	1
9	-----	壓腳組 Press Foot Set(See Left Page) -----	1
9-A	5221PF6056C	螺絲 Screw -----	1
9-B	-----	壓腳舌 Press Foot Tongue(See Left Page) -----	1
9-C	8SB24560405A	螺絲 Screw (SH0413 3/32"-56*4) -----	1
9-D	5221PF6056F	導布定規 Presser Foot Guide -----	1
10	5220LL60560	下結線鉤 Low Looper -----	1
11	5220NG60560	後導針器 Needle Guard (Rear) -----	1
12	2210600123	針棒揚線桿 Needle Thread Take-Up -----	1
13	66734-11-5	備用針 Spare Needle -----	1
14	5220DG0025	送布齒組 Feed Dog Asm. -----	1
*15	221FR0101	導模 Folder Unit (Two-fold) (Extra) -----	1
16	2210600122	導線 Thread Guide -----	1
17	2210600124	導線 Thread Guide -----	1
18	2200000248	防塵蓋 Dust Cover -----	1
19	2200000249	滑道 Guide -----	1
20	2100051110	導線管夾 Thread Guide Pipe Clamp -----	1
21	2200000327	導線管 Thread Guide Pipe -----	1

* 特註品 Custom-made Item