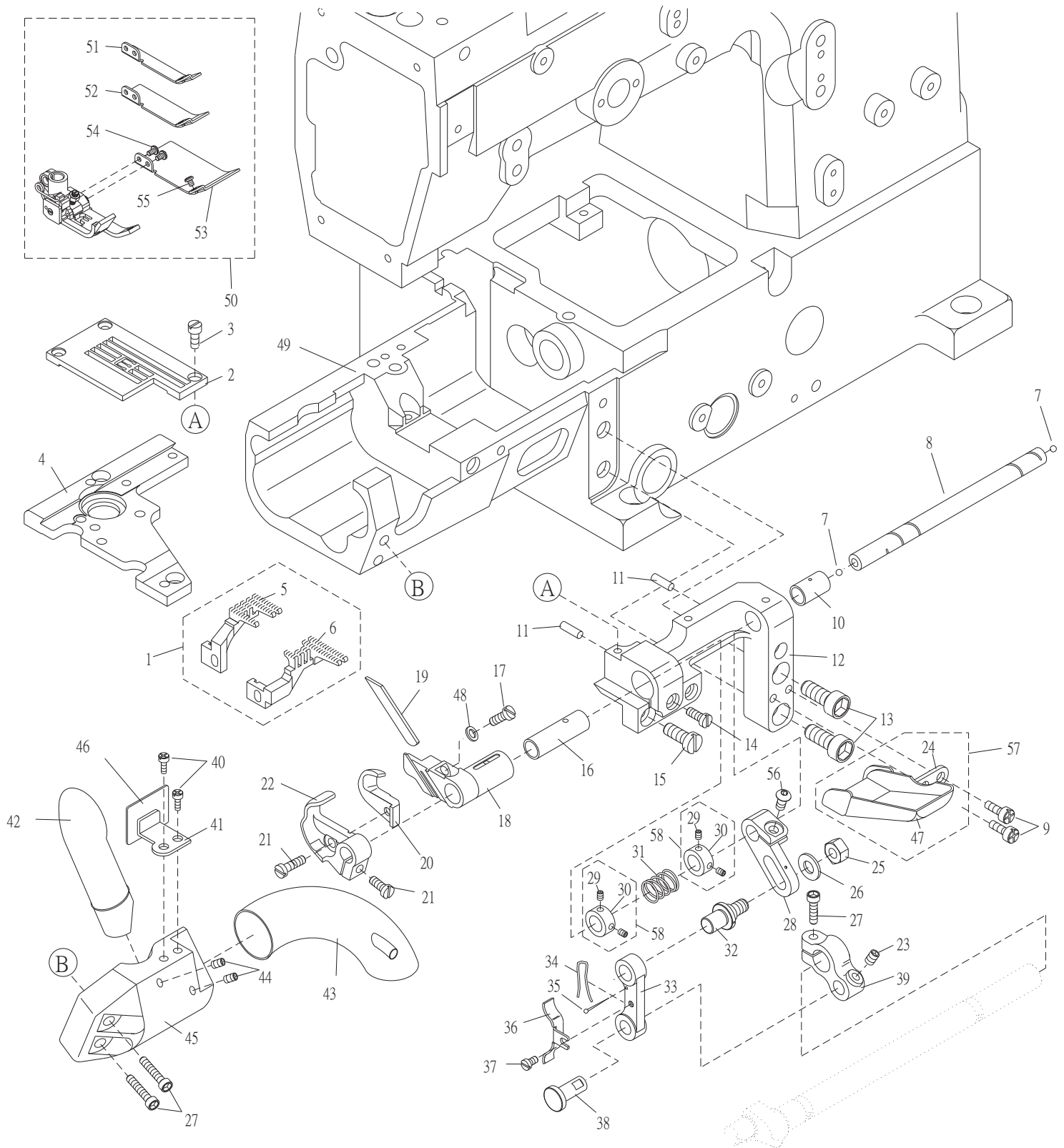


1. CTLO011 壓腳, 針板, 送布齒, 及上下刀驅動構列表 Press Foot , Needle Plate , Feed Dog And Right Hand Upier Driving Mechanise Components For CTLO011

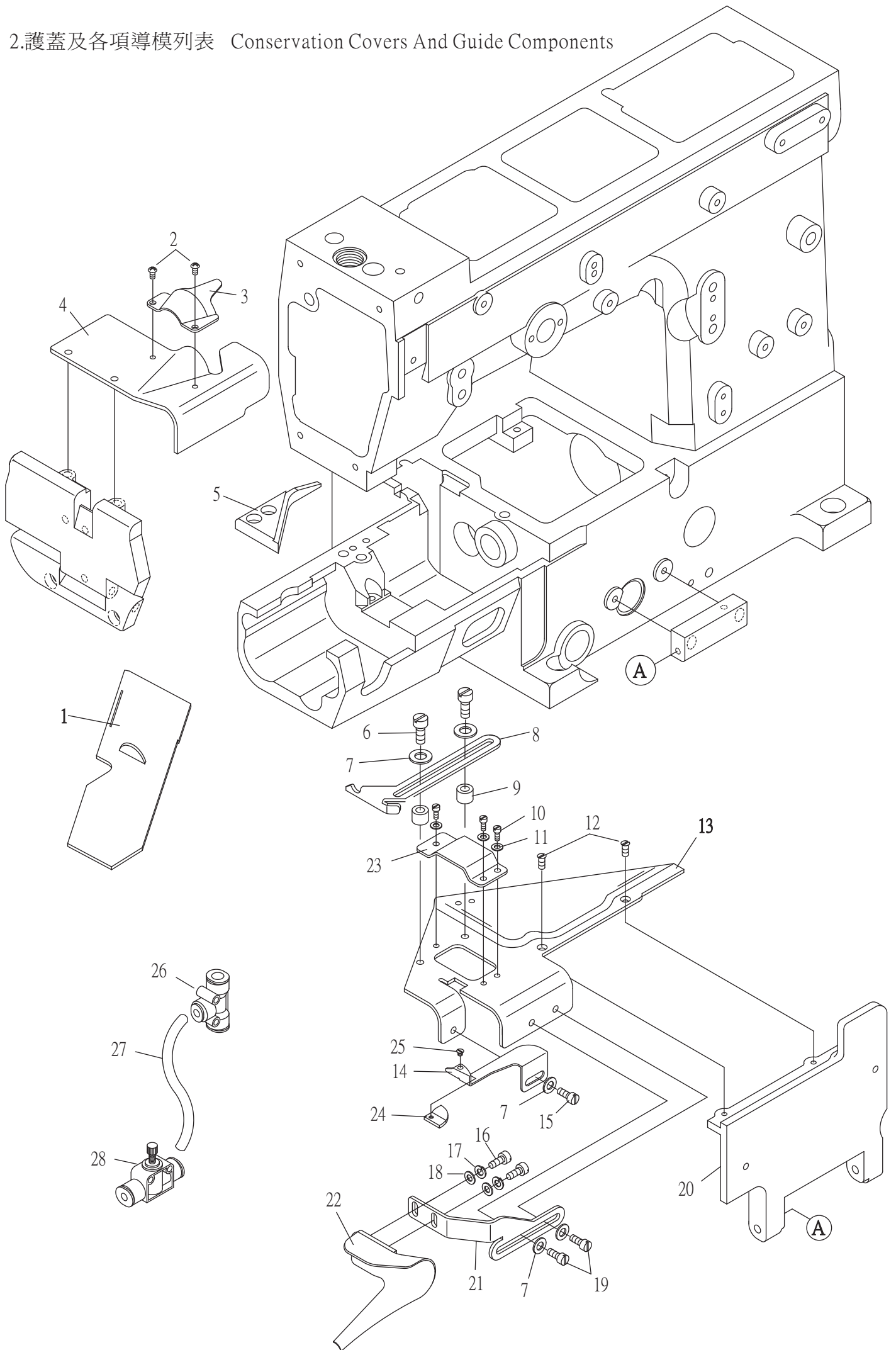


序號 Ref.No.	名稱 Description	機型 Models	針距 Distance Of Needles			
			4.0	4.8	5.6	6.4
1	送布齒組 Feed Dog Asm.	CT9311-M	5220DG0012			
		CT9311-S	5222DG0009			
		CT9311-S1				
2	針板 Needle Plate	CT9311-M	5222TPL1400	5222TPL1480	5222TPL1560	5222TPL1640
		CT9311-S	5222TPL1402	5222TPL1482	5222TPL1562	5222TPL1642
		CT9311-S1	5222TPL1403	5222TPL1483	5222TPL1563	5222TPL1643
50	壓腳 Presser Foot	CT9311-M	5222PFL1400	5222PFL1480	5222PFL1560	5222PFL1640
		CT9311-S				
		CT9311-S1				

1. CTL○○11 壓腳, 針板, 送布齒, 及上下刀驅動構列表 Press Foot , Needle Plate ,
Feed Dog And Right Hand Uper Driving Mechanise Components For CTL○○11

序號 Ref.No.	圖號 Parts No.	名稱 Description	單位用量 Amt .Req.
1	-----	送布齒組 Presser Foot Asm -----	1
2	-----	針板 Throat Plate -----	1
3	8MB85240605A	螺絲 Screw (CT1002 M3.5-0.6*6)-----	1
4	2206110104	針板座 Stitch Plate Support -----	1
5	5220FDL1561	主送布齒 Main Feed Dog -----	1
6	5220DFL1561	副送布齒 Diff Feed Dog -----	1
7	2100001404	孔塞 Plug -----	2
8	2206110108	軸 Upper Knife Shaft -----	1
9	8MB04280807K	螺絲 Screw (CT0215 M4-0.7*8)-----	2
10	2206110110	軸襯 Upper Knife Shaft Bushing -----	1
11	2200000223	定位銷 Knock Pin -----	2
12	2206110112	刀台 Lower Knife Holder Bracket -----	1
13	8MM06401610A	螺絲 Screw (CT0625 M6-1*16)-----	2
14	8MB04281007K	螺絲 Screw (CT1237 M4-0.7*10)-----	1
15	8MC05321209D	螺絲 Screw (C850212 M5-0.8*12)-----	1
16	2206110116	軸襯 Lower Knife Holder Bushing -----	1
17	8MB04281207K	螺絲 Screw (CT0239 M4-0.7*12)-----	1
18	2206110118	下刀刀座 Lower Knife Holder -----	1
19	2206110119	下刀 Lower Knife -----	1
20	2206110120	上刀 Upper Knife -----	1
21	8MB04281007K	螺絲 Screw (CT1237 M4-0.7*10)-----	2
22	2206110122	上刀座 Upper Knife Holder -----	1
23	8MN04280400A	螺絲 Screw (CT0229 M4-0.7*4)-----	1
24	2206110124	連桿護蓋 Link Cover(Lower) -----	1
25	8MA06400510A	螺帽 Nut (CT0533 M6-1*5)-----	1
26	2206110126	墊圈 Washer -----	1
27	8MM04281207A	螺絲 Screw (CT0202 M4-0.7*12)-----	3
28	2273110128	變距曲柄 Upper Knife Adusting Lever -----	1
29	8MN03200300A	螺絲 Screw (CT0115 M3-0.5*3)-----	4
30	2210000534	隔環 Collar -----	2
31	2206110131	彈簧 Spring -----	1
32	2206110132	曲柄銷 Adjusting Lever Pin -----	1
33	2206110133	連桿 Link -----	1
34	66800	油線 Oil Wick -----	1
35	2206110135	銷 Oil Wick Pin -----	1
36	2206110136	壓板 Link Cover -----	1
37	8MB03200606K	螺絲 Screw (CT1207 M3-0.5*6)-----	1
38	2206110138	連結銷 Link Pin -----	1
39	2206110139	連桿 Link -----	1
40	8MB04280507K	螺絲 Screw (FT0235 M4-0.7*5)-----	2
41	2206110141	油封座 Oil Defender seat -----	1
42	2206110142	導屑管 Suction Pipe -----	1
43	2206110143	吸風管 Suction Pipe -----	1
44	8MN04280600A	螺絲 Screw (CT1223 M4-0.7*6)-----	2
45	2206110145	吸風管座 Suction Pipe Holder -----	1
46	2206110146	防油擋片 Oil Defender -----	1
47	2206110147	防油擋片 Oil Defender -----	1
48	2206110148	墊圈 Washer -----	1
49	2206110149	車頭 Frame Unit -----	1
50	-----	壓腳組 Presser Foot Asm -----	1
51	5222PFL156J	輔助壓腳底 Hinged Type Presser Foot -----	1
52	5222PFL156K	輔助壓腳底 Hinged Type Presser Foot -----	1
53	5222PFL156L	輔助壓腳底 Hinged Type Presser Foot -----	1
54	8SB24560405A	螺絲 Screw (SH0413 3/32"-56*4) -----	2
55	8SB24560305A	螺絲 Screw (SH1045 3/32"-56*3) -----	1
56	8MP04280808A	螺絲 Screw (MT0235 M4-0.7*8) -----	1
57	220611A0157	連桿護蓋組 Link Cover Asm. -----	1
58	221A0000563	隔環組 Collar Asm -----	2

2.護蓋及各項導模列表 Conservation Covers And Guide Components



2.護蓋及各項導模列表 Conservation Covers And Guide Components

序號 Ref.No.	圖號 Parts No.	名稱 Description	單位用量 Amt .Req.
1	2206110201	防塵蓋 Dust Cover -----	1
2	8MD03200306A	螺絲 Screw (CT0242 M3-0.5*3)-----	2
3	2206110203	防塵蓋 Dust Cover -----	1
4	2206110204	防塵蓋 Dust Cover -----	1
5	2206110205	滑道 Guide -----	1
6	8MB04281207K	螺絲 Screw (CT0239 M4-0.7*12)-----	2
7	2100000223	墊圈 Washer -----	5
8	22061102081	導模 Edge Guide -----	1
9	2206110209	間隔環 Space Washer -----	2
10	8MB03200405A	螺絲 Screw (FT0548 M3-0.5*4)-----	3
11	2206110211	墊圈 Washer -----	3
12	8ME03200706X	螺絲 Screw (CT02351 M3-0.5*7)-----	2
13	2206110213	護線蓋 Cloth Plate -----	1
14	2206110214	導模 Edge Guide -----	1
15	8MB04280507K	螺絲 Screw (FT0235 M4-0.7*5)-----	1
16	8MB85240607K	螺絲 Screw (CT0637 M3.5-0.6*6)-----	2
17	2206110217	彈簧墊圈 Spring Washer -----	2
18	2206110211	墊圈 Washer -----	2
19	8MB04280807K	螺絲 Screw (CT0215 M4-0.7*8)-----	2
20	2206110220	下座前蓋 Front Cover -----	1
21	2206110221	導模 Edge Guide -----	1
22	2206110222	導模 Edge Guide -----	1
23	2206110223	防塵蓋 Dust Cover -----	1
24	2206110224	導模 Edge Guide -----	1
25	8SE24560304A	螺絲 Screw (CL110225 3/32"-56*2.5) -----	2
* 26	2206110226	T形管接頭 T Connector -----	1
* 27	2206110227	空氣管 Air Tube -----	1
* 28	2206110228	節流閥 Speed Controller -----	1

* : For Cv007專用