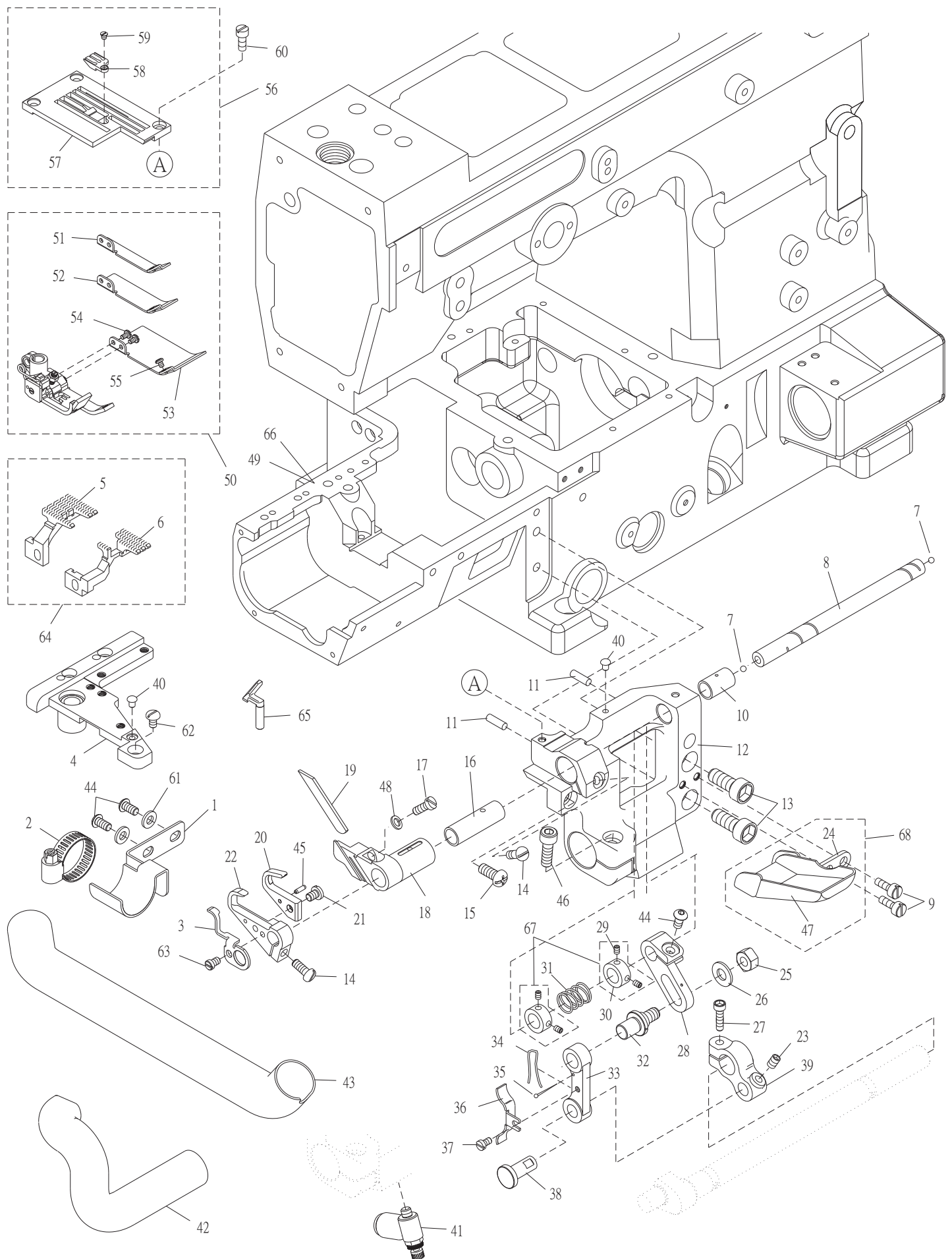


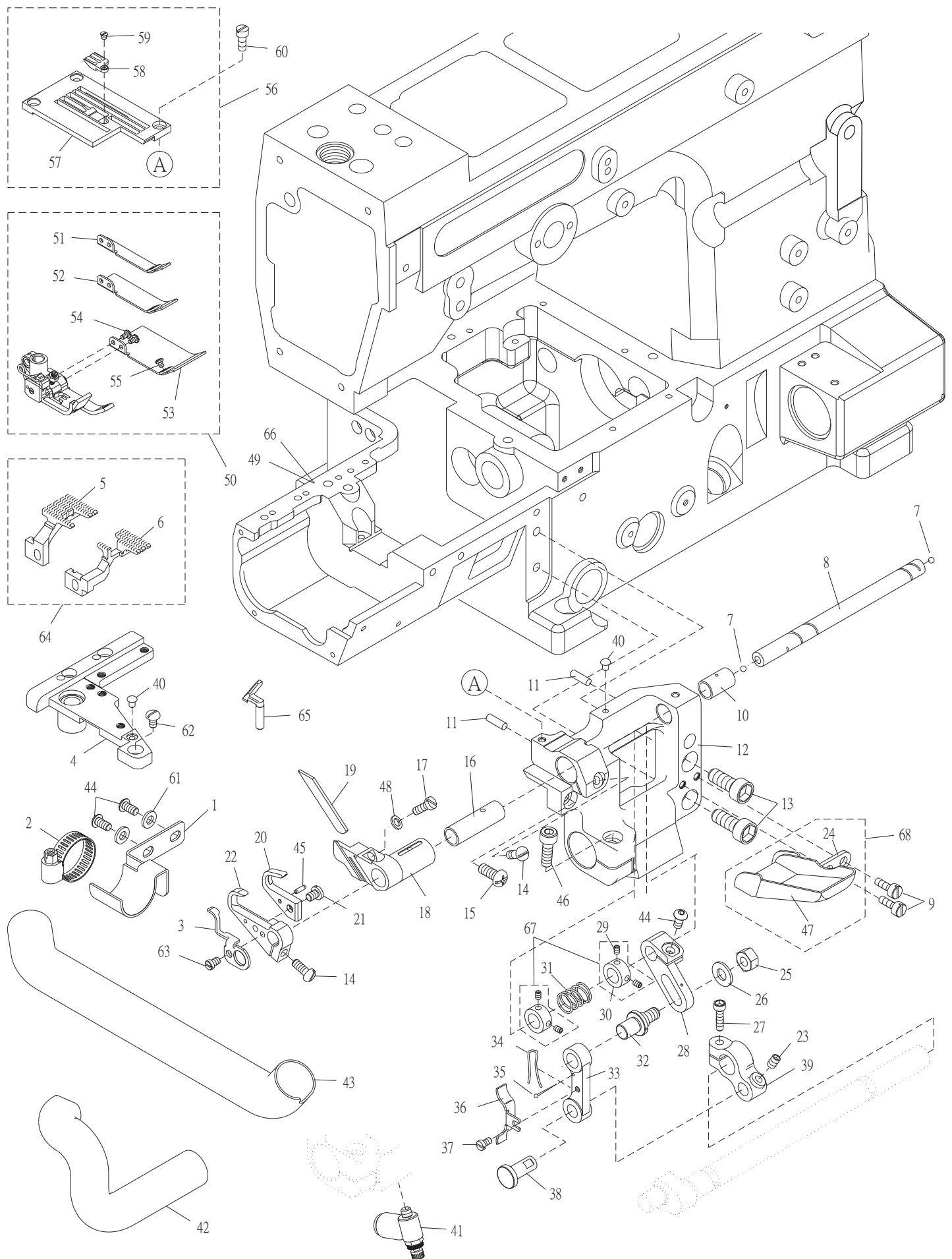
1. CT9311 / CTD9311 壓腳, 針板, 送布齒, 及上下刀驅動構列表  
 Press Foot , Needle Plate , Feed Dog And Right Hand Upiar Driving Mechanise  
 Components For CT9311 / CTD9311



1.CT9311 / CTD9311 壓腳, 針板, 送布齒, 及上下刀驅動構列表  
 Press Foot , Needle Plate , Feed Dog And Right Hand U pier Driving Mechanise  
 Components For CT9311 / CTD9311

序號	物料編號	名稱	單位用量
Ref. No.	Parts Number	Description	Amt.Req.
1	2273110101	支架 Stitch Plate Support -----	1
2	2273110102	管束 Hose Clamp -----	1
3	2273110103	護指擋片 Safety Plate Holder -----	1
4	2273110104	針板座 Stitch Plate Support -----	1
*5	-----	主送布齒 Main Feed Dog -----	1
*6	-----	副送布齒 Diff Feed Dog -----	1
7	2100001404	孔塞 Plug -----	2
8	2206110108	軸 Upper Knife Shaft -----	1
9	8MB04280807K	螺絲 Screw (CT0215 M4-0.7*8) -----	2
10	2206110110	軸襯 Upper Knife Shaft Bushing -----	1
11	90ST0410	定位銷 Knock Pin -----	2
12	2273110112	刀台 Lower Knife Holder Bracket -----	1
13	8MM06401610A	螺絲 Screw (CT0625 M6-1*16) -----	2
14	8MB04281007K	螺絲 Screw (CT1237 M4-0.7*10) -----	2
15	8MC05321209D	螺絲 Screw (C850212 M5-0.8*12) -----	1
16	2206110116	軸襯 Lower Knife Holder Bushing -----	1
17	8MB04281207K	螺絲 Screw (CT0239 M4-0.7*12) -----	1
18	2206110118	下刀刀座 Lower Knife Holder -----	1
19	2206110119	下刀 Lower Knife -----	1
20	2273110120	上刀 Upper Knife -----	1
21	8MB04280607A	螺絲 Screw (CT350202 M4-0.7*6) -----	1
22	2273110122	上刀座 Upper Knife Holder -----	1
23	8MN04280400A	螺絲 Screw (CT0229 M4-0.7*4) -----	1
24	2206110124	連桿護蓋 Link Cover(Lower) -----	1
25	8MA06400510A	螺帽 Nut (CT0533 M6-1*5) -----	1
26	2206110126	墊圈 Washer -----	1
27	8MM04281207A	螺絲 Screw (CT0202 M4-0.7*12) -----	1
28	2273110128	變距曲柄 Upper Knife Adjusting Lever -----	1
29	8MN03200300A	螺絲 Screw (CT0115 M3-0.5*3) -----	4
30	2210000534	隔環 Collar -----	2
31	2206110131	彈簧 Spring -----	1
32	2206110132	曲柄銷 Adjusting Lever Pin -----	1
33	2206110133	連桿 Link -----	1
34	66800	油線 Oil Wick -----	1
35	2206110135	銷 Oil Wick Pin -----	1
36	2206110136	壓板 Link Cover -----	1
37	8MB03200606K	螺絲 Screw (CT1207 M3-0.5*6) -----	1
38	2206110138	連結銷 Link Pin -----	1
39	2206110139	連桿 Link -----	1
40	22100001191	減震橡膠 Rubber Cushion -----	2
41	2273110141	節流閥 Speed Controller -----	1
42	2273110142	吸風管 Suction Pipe -----	1
43	2273110143	吸風管 Suction Pipe -----	1
44	8MP04280808A	螺絲 Screw (MT0235 M4-0.7*8) -----	3
45	90SP0206T	彈簧銷 Spring Pin -----	1
46	8MM05321609A	螺絲 Screw (RP0111 M5-0.8*16) -----	1
47	2206110147	防油擋片 Oil Defender -----	1
48	2206110148	墊圈 Washer -----	1
**49	2273110149	車頭 Frame Unit -----	1
*50	-----	壓腳組 Presser Foot Asm -----	1

1. CT9311 / CTD9311 壓腳, 針板, 送布齒, 及上下刀驅動構列表  
 Press Foot, Needle Plate, Feed Dog And Right Hand Upiar Driving Mechanise  
 Components For CT9311 / CTD9311



1.CT9311 / CTD9311 壓腳, 針板, 送布齒, 及上下刀驅動構列表  
 Press Foot , Needle Plate , Feed Dog And Right Hand U pier Driving Mechanise  
 Components For CT9311 / CTD9311

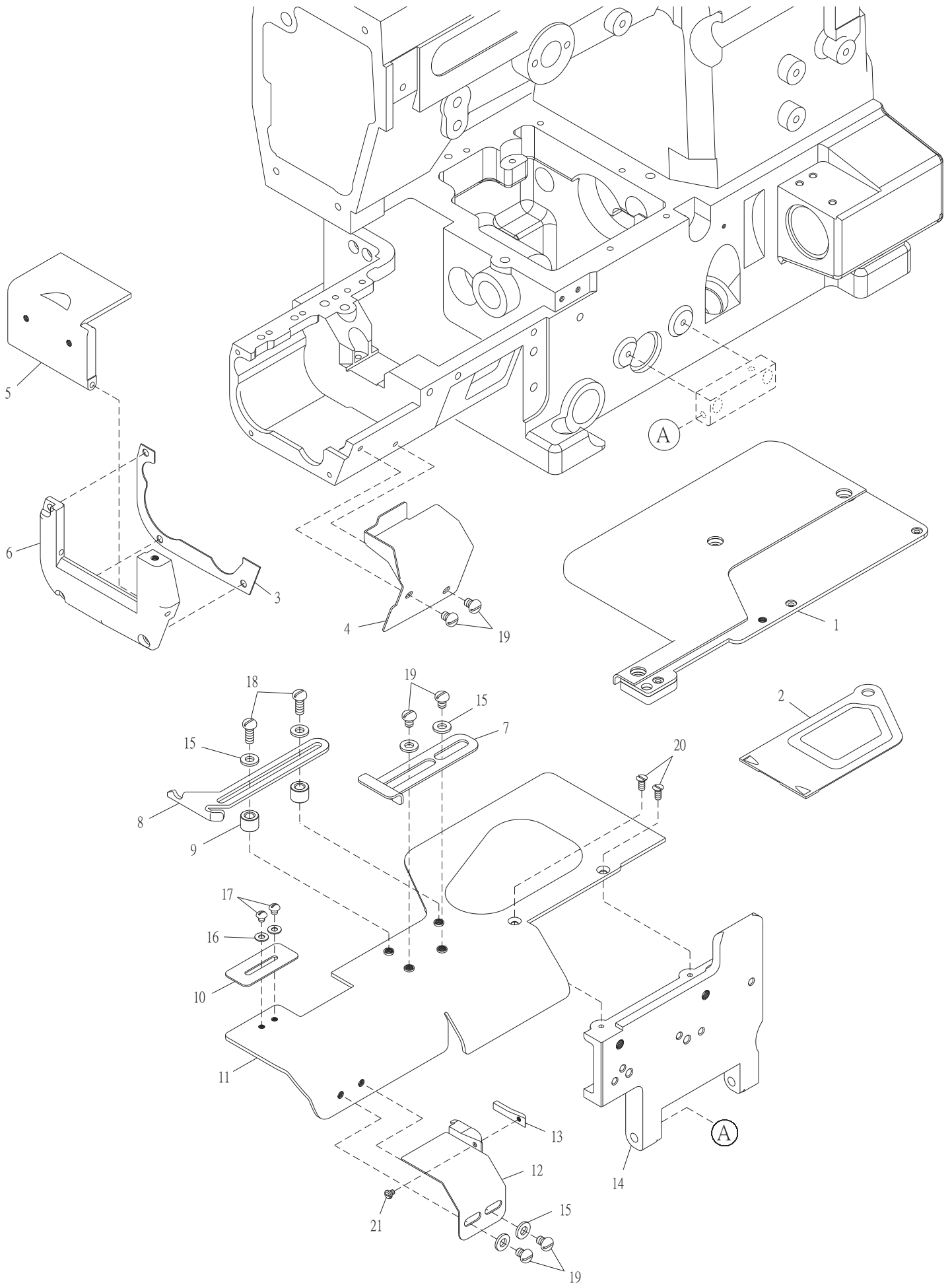
序號	物料編號	名稱	單位用量
Ref. No.	Parts Number	Description	Amt.Req.
51	5222PFL156J	輔助壓腳底 Hinged Type Presser Foot -----	1
52	5222PFL156K	輔助壓腳底 Hinged Type Presser Foot -----	1
53	5222PFL156L	輔助壓腳底 Hinged Type Presser Foot -----	1
54	8SB24560405A	螺絲 Screw (SH0413 3/32"-56*4) -----	2
55	8SB24560305A	螺絲 Screw (SH1045 3/32"-56*3) -----	1
*56	-----	針板組 Throat Plate Asm -----	1
*57	-----	針板 Throat Plate -----	1
*58	-----	針板舌 Stitch plate Tongue -----	1
59	8SE24560303A	螺絲 Screw (CT3110159 3/32"-56*2.7) -----	1
60	8MB85240605A	螺絲 Screw (CT1002 M3.5-0.6*6) -----	1
61	2100000223	墊圈 Washer -----	2
62	8MB85240607K	螺絲 Screw (CT0637 M3.5-0.6*6) -----	1
63	8MB85240406A	螺絲 Screw (UH0176 M3.5-0.6*4) -----	1
*64	-----	送布齒組 Feed Dog Set -----	1
*65	-----	前導針器 Needle Guide -----	1
***66	2243110149	車頭 Frame Unit -----	1
67	221A0000563	定位環組 Collar Asm.(F0534A)-----	2
68	220611A0157	連桿護蓋組 Link Cover Asm. -----	1

\* 請翻閱第9頁 \* : Please Refer To Page 9 For More Details

\*\* CT9311用 For CT9311 \*\*\*CTD9311用 For CTD9311

2.CT9311 / CTD9311 護蓋及各項導模列表

Conservation Covers And Guide Components For CT9311 / CTD9311

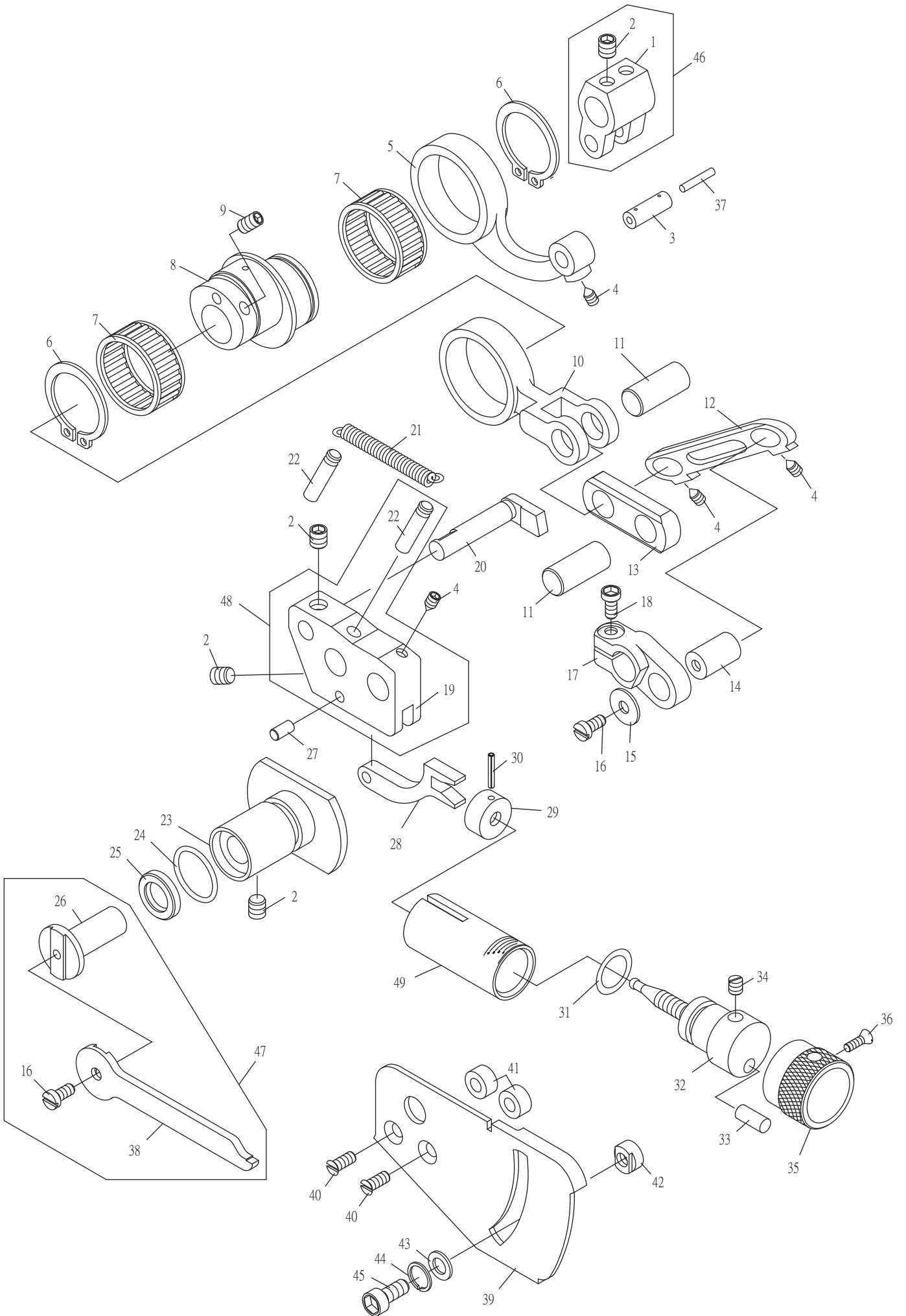


## 2.CT9311 / CTD9311 護蓋及各項導模列表

### Conservation Covers And Guide Components For CT9311 / CTD9311

序號	物料編號	名稱	單位用量
Ref. No.	Parts Number	Description	Amt. Req.
1	2273110201	下軸外蓋 Cloth Plate -----	1
2	2273110202	防塵蓋 Dust Cover -----	1
3	2273110203	油封 Gasket -----	1
4	2273110204	導模 Edge Guide -----	1
5	2273110205	下軸側蓋 Side Cover -----	1
6	2273110206	固定座 Bracket -----	1
7	2273110207	導模 Edge Guide -----	1
8	22061102081	導模 Edge Guide -----	1
9	2273110209	間隔環 Space Washer -----	2
10	2273110210	護蓋 Cover -----	1
11	2273110211	護線蓋 Cloth Plate -----	1
12	2273110212	導模 Edge Guide -----	1
13	2273110213	導模 Edge Guide -----	1
14	2273110214	下座前蓋 Front Cover -----	1
15	2100000223	墊圈 Washer -----	6
16	2210000547	墊圈 Washer -----	2
17	8MD03200306A	螺絲 Screw (CT0242 M3-0.5*3) -----	2
18	8MB04281007K	螺絲 Screw (CT1237 M4-0.7*10) -----	2
19	8MB04280507K	螺絲 Screw (FT0235 M4-0.7*5) -----	6
20	8ME03200706X	螺絲 Screw (M3-0.5*7) -----	2
21	8SB24560305A	螺絲 Screw (SH1045 3/32"-56*3) -----	1

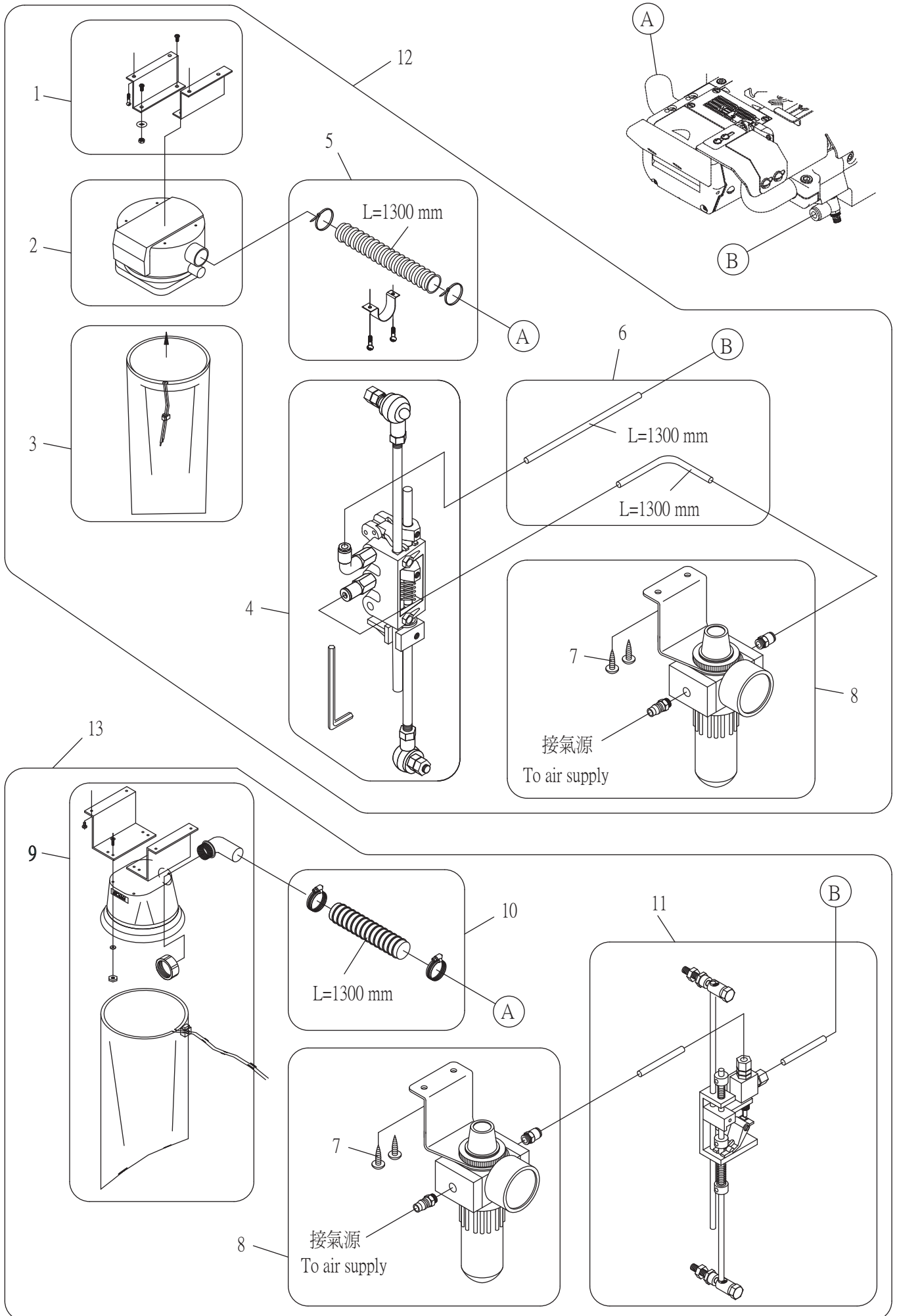
3.CT9311 / CTD9311 進給變換機構 Feed Control Driving For CT9311 / CTD9311



3.CT9311 / CTD9311 進給變換機構 Feed Control Driving For CT9311 / CTD9311

序號	物料編號	名稱	單位用量
Ref. No.	Parts Number	Description	Amt.Req.
1	2200001101	曲柄 Lever -----	1
2	8MN06400600A	螺絲 Screw (CT0244 M6-1*6) -----	5
3	2200001103	曲柄銷 Rod Pin -----	1
4	8MN04280600C	螺絲 Screw (CT1104 M4-0.7*6) -----	4
5	2200001105	連桿 Rod -----	1
6	2200001106	C形軸用扣環 C Ring -----	2
7	90NB252910	滾針軸承 Needle Bearing -----	2
8	2200001108	偏心輪 Eccentric -----	1
9	8MN05320500E	螺絲 Screw (CT0903 M5-0.8*5) -----	2
10	2200001110	連桿 Rod -----	1
11	2200001111	連桿銷 Rod Pin -----	2
12	2200001112	連桿 Link -----	1
13	2200001113	連桿 Link -----	1
14	2200001114	曲柄銷 Lever Pin -----	1
15	2200001115	墊圈 Washer -----	1
16	8MB04280807K	螺絲 Screw (CT0215 M4-0.7*8) -----	2
17	2200001117	曲柄 Lever -----	1
18	8MM04281207A	螺絲 Screw (CT0202 M4-0.7*12) -----	1
19	2200001119	承座 Bracket -----	1
20	2200001120	懸臂式滑軌 Guide -----	1
21	2200001121	彈簧 Spring -----	1
22	2200001122	彈簧掛鉤 Pin -----	2
23	2200001123	軸襯 Bushing -----	1
24	90OR160	O形油環 O Ring -----	1
25	2200001125	油封 Oil Seal -----	1
26	2200001126	差動游標軸 Shaft -----	1
27	90ST0410	連桿銷 Pin -----	1
28	2200001128	差動微調頂桿 Link -----	1
29	2200001129	引動螺帽 Nut -----	1
30	90SP0206	彈簧銷 Spring Pin -----	1
31	90OR120	O形油環 O Ring -----	1
32	2200001132	差動微調螺桿 Stud -----	1
33	2200001133	止動銷 Stopper Pin -----	1
34	8MH04280400A	螺絲 Screw (CT1134 M4-0.7*4) -----	1
35	2200001135	差動微調旋鈕 Knob -----	1
36	8ME03200606A	螺絲 Screw (CT0235 M3-0.5*6) -----	1
37	66800	油線 Oil Wick -----	1
38	2273110338	差動變換桿 Lever -----	1
39	2273110339	差動刻記板 Regulator Plate -----	1
40	8ME04281408A	螺絲 Screw (CT1140 M4-0.7*14) -----	2
41	2200001141	隔環 Spacer -----	2
42	2200001142	止動環 Stopper -----	1
43	2200001025	墊圈 Washer -----	1
44	90SW050	彈簧墊圈 Spring Washer -----	1
45	8MM05320809A	螺絲 Screw (CT1145 M5-0.8*8) -----	1
46	220A0001149	曲柄組 Lever Asm. -----	1
47	227A3110347	差動變換桿組 Lever Set -----	1
48	220A0001152	承座組 Bracket Set -----	1
49	2200000421	刻線套管 Graduation Bushing -----	1

4.集塵袋組 FABRIC BAG ASM.



#### 4.集塵袋組 FABRIC BAG ASM.

序號	物料編號	名稱	單位用量
Ref. No.	Parts Number	Description	Amt.Req.
1	VD-M-1	集塵罩支架 Bracket -----	1
2	VD-M-2N	集塵罩 Waste & lint gather system -----	1
3	VD-M-3	集塵袋 Fabric bag -----	1
4	VD-T-1	腳踏空氣控制開關組 Soft touch heel action treadle rod air switch-----	1
5	4CV09NA0105	吸布屑管 Tube-----	1
6	VD-T-2	軟管 Tube-----	1
7	8WD30000015B	木螺絲 Wood Screw -----	2
8	4CV09NA0108	調壓濾水閥組 Regulator Asm.-----	1
9	C-100	廢布&線頭收集組(布袋) Waste & lint gather system (fabric bag) -----	1
10	4CV08NA0102	吸布屑管Tube-----	1
11	A-100ST	腳踏空氣控制開關組 Soft touch heel action treadle rod air switch-----	1
*12	CV09N	集塵袋組 Fabric bag Asm. -----	1
*13	CV08N	集塵袋組 Fabric bag Asm. -----	1

\* : 選購\* : to pick and make purchase

註: 機型如配合自動切線裝置UTB02 之使用，則是選購CV08P 或CV09P。

Note : If machine equipped with thread trimming device UTB02, then, please use CV08P or CV09P together as venturi device.

# GAUE PARTS LIST

CT9311-0-0 □□□ M  
CT9311-0- □□□ M

CTD9311-0-0 □□□ M  
CTD9311-0- □□□ M

機 型 Models	針 距 m.m	Main Parts 更換 零件		Main feed dog 主送布齒	Diff feed dog 副送布齒	Needle clamp 針留	Upper looper 上結線鉤	Lower looper 下	Needle guide 前導針	Needle guide 後導針	Needle 針	
		Throat plate 針板	Presser foot asm 壓腳									
CT9311 CTD9311	4.0	5222TPL1400	5222PFL1400	5220FDL1561	5220DFL1561	5220NC00400	5220SL00560	5220LL00560	5220NG00563	5220NG00562	UY128GAS # 11	
				5220DG0012								
	4.8	5222TPL1480	5222PFL1480	5220FDL1561	5220DFL1561							5220NC00480
				5220DG0012								
5.6	5222TPL1560	5222PFL1560	5220FDL1561	5220DFL1561	5220NC00561							
			5220DG0012									
6.4	5222TPL1640	5222PFL1640	5220FDL1561	5220DFL1561	5220NC00641							
			5220DG0012									

CT9311-0-0 □□□ S  
CT9311-0- □□□ S

CTD9311-0-0 □□□ S  
CTD9311-0- □□□ S

機 型 Models	針 距 m.m	Main Parts 更換 零件		Main feed dog 主送布齒	Diff feed dog 副送布齒	Needle clamp 針留	Upper looper 上結線鉤	Lower looper 下	Needle guide 前導針	Needle guide 後導針	Needle 針		
		Throat plate 針板	Stitch plate Tongue 針板舌										
CT9311 CTD9311	4.0	5222TPL156B	5222TPL140A	5222PFL1400	5222FDL1560	5222DFL1560	5220NC00400	5220SL00560	5220LL00560	5220NG00563	5220NG00562		
					5222DG0009								
	4.8	5222TPL156B	5222TPL148A		5222PFL1480	5222FDL1560						5222DFL1560	5220NC00480
						5222DG0009							
5.6	5222TPL156B	5222TPL156A	5222PFL1560	5222FDL1560	5222DFL1560	5220NC00561							
				5222DG0009									
6.4	5222TPL156B	5222TPL164A	5222PFL1640	5222FDL1560	5222DFL1560	5220NC00641							
				5222DG0009									

# GAUE PARTS LIST

CT9311-0-0 □□□ S1  
CT9311-0-□□□ S1

CTD9311-0-0 □□□ S1  
CTD9311-0-□□□ S1

Main Parts 更換零件 機針 型距 Models m.m	Throat plate 針板		Stitch plate Tongue 針板舌	Presser foot asm 壓腳	Main feed dog 主送布齒	Diff feed dog 副送布齒	Needle clamp 針留	Upper looper 上結線鉤	Lower looper 下結線鉤	Needle guide 前導針	Needle guide 後導針	Needle 針
	5222TPL156B 5222TPL1403		5222TPL140C	5222PFL1400	5222FDL1560	5222DFL1560	5222DG0009	5220NC00400	5220SL00560	5220LL00560	5220NG00563	5220NG00562
4.0	5222TPL156B 5222TPL1483		5222TPL148C	5222PFL1480	5222FDL1560	5222DFL1560	5220NC00480					
4.8	5222TPL156B 5222TPL1563		5222TPL156C	5222PFL1560	5222FDL1560	5222DFL1560	5220NC00561					
5.6	5222TPL156B 5222TPL1643		5222TPL164C	5222PFL1640	5222FDL1560	5222DFL1560	5220NC00641					
6.4												

CT9311-0-0 □□□ S2  
CT9311-0-□□□ S2

CTD9311-0-0 □□□ S2  
CTD9311-0-□□□ S2

Main Parts 更換零件 機針 型距 Models m.m	Throat plate 針板		Presser foot asm 壓腳	Main feed dog 主送布齒	Diff feed dog 副送布齒	Needle clamp 針留	Upper looper 上結線鉤	Lower looper 下結線鉤	Needle guide 前導針	Needle guide 後導針	Needle 針	
	5222TPL1564 5222TPL1644		5222TPL1560	5222PFL1560	5222FDL1561	5222DFL1561	5222DG0011	5220NC00561	5220SL00560	5220LL00560	5220NG00563	5220NG00562
5.6							5220NC00641					
6.4												