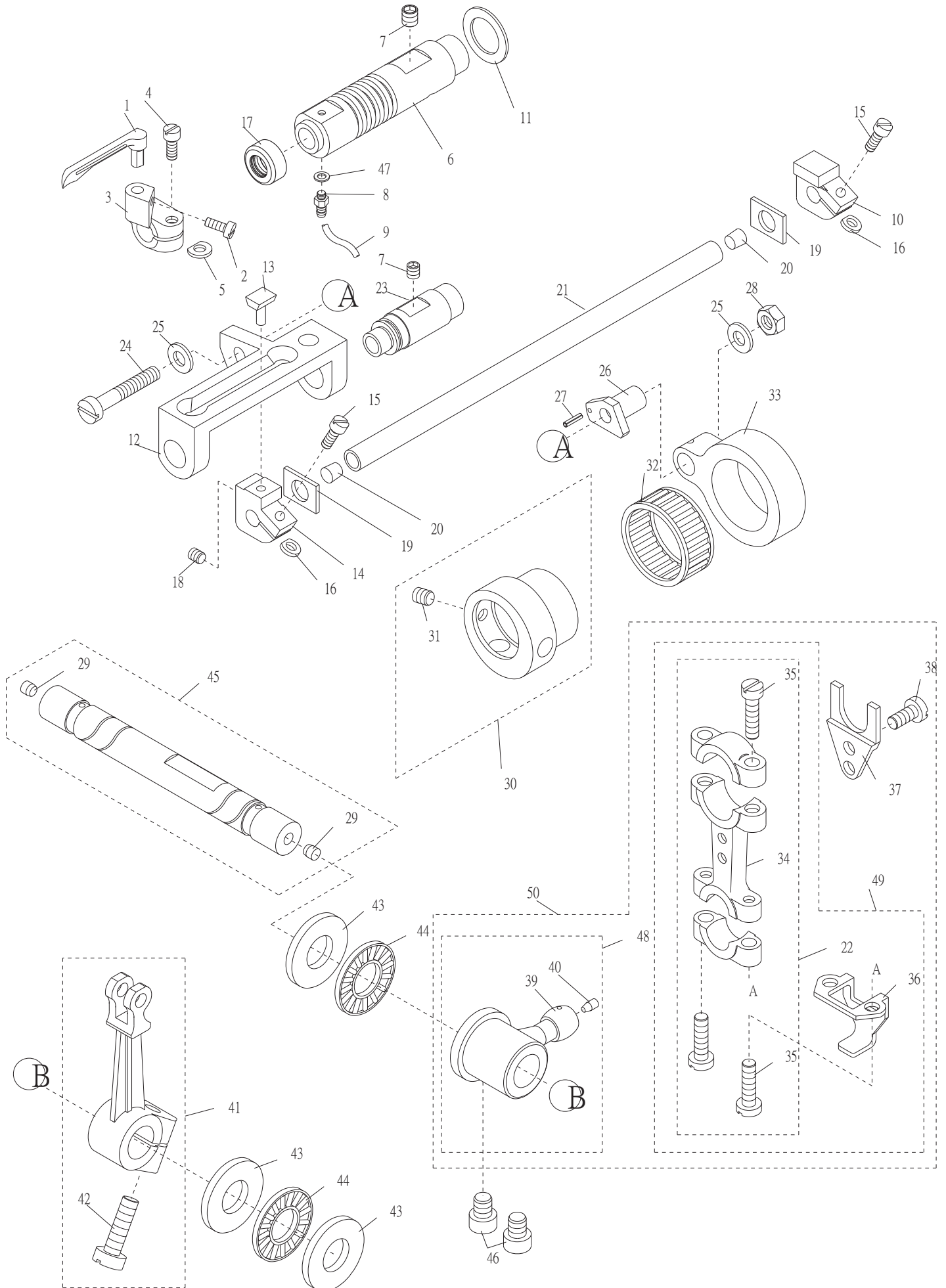


10. CT9000 / CTD9000 / CTF9011 結線鉤驅動機構  
 Looper Driving Mechanism For CT9000 / CTD9000 / CTF9011

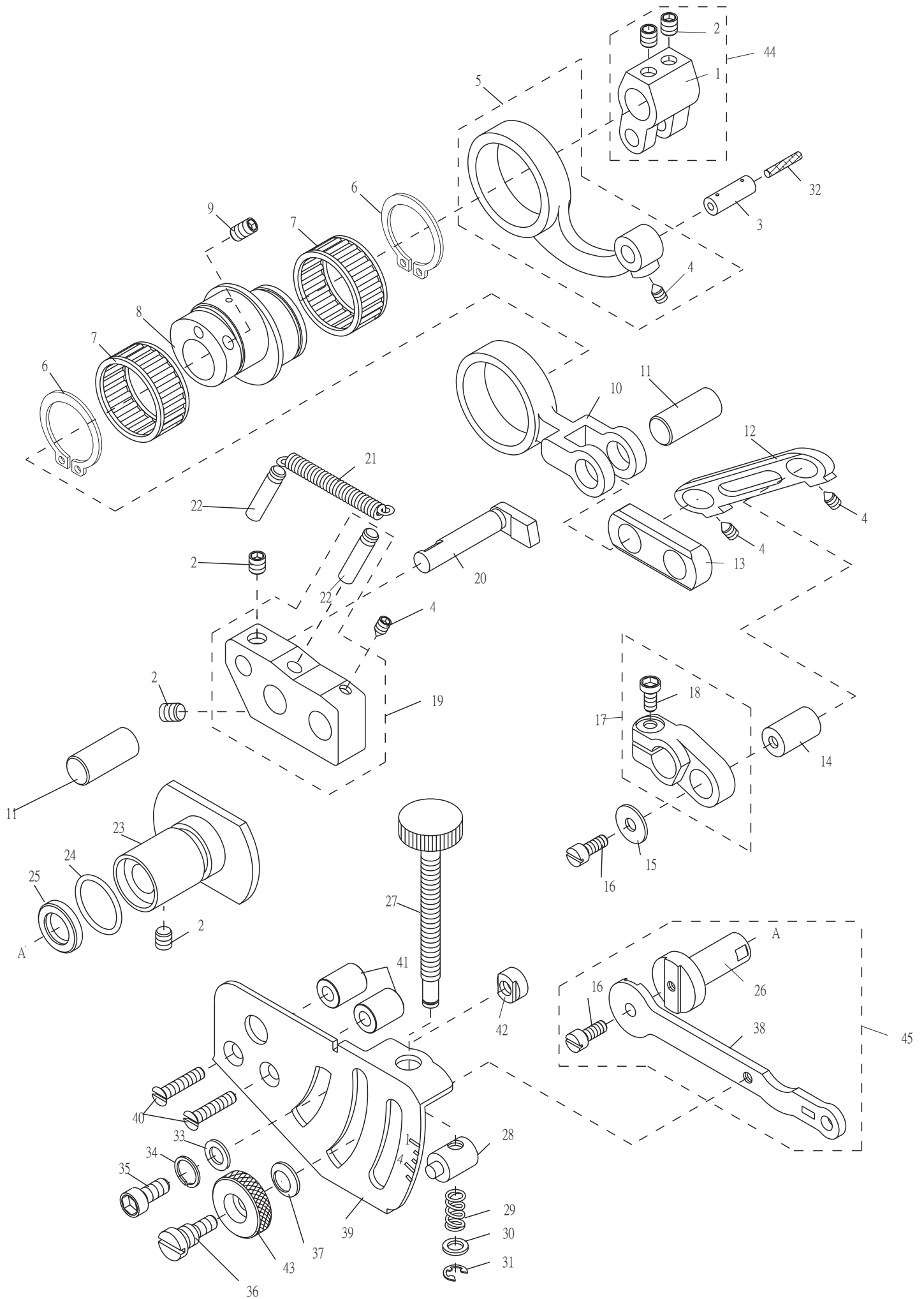


## 10. CT9000 / CTD9000 / CTF9011 結線鉤驅動機構

### Looper Driving Mechanism For CT9000 / CTD9000 / CTF9011

序號 Ref.No.	圖號 Parts No.	名稱 Description	單位用量 Amt .Req.
1	5220LL00560	下結線鉤Looper -----	1
2	8MB85240605A	螺絲Screw (CT1002 M3.5--0.6*6) -----	1
3	2200001003	結線鉤座Looper Holder -----	1
4	8MB85241006K	螺絲Screw (CT0621 M3.5-0.6*10) -----	1
5	2200001005	墊圈Washer -----	1
6	22200010061	軸襯Bushing -----	1
7	8MN06400600A	螺絲Screw (CT0244 M6-1*6) -----	2
8	2100001505	油嘴Oil Tube Joint (SH1505) -----	1
9	66692	油管Oil Tube -----	1
10	2220001010	滑塊固定座Slider Holder -----	1
11	2200001011	墊圈Washer -----	1
12	22200010121	滑道Guide Block -----	1
13	2200001013	滑塊Slide block -----	1
14	2200001014	滑塊固定座Slider Holder -----	1
15	8MB85241106A	螺絲Screw (CT1015 M3.5-0.6*11) -----	2
16	2200001016	墊圈Washer -----	2
17	2270001017	橡膠環 Rubber Wsaher -----	1
18	8MN04280400A	螺絲Screw (CT0229 M4-0.7*4) -----	1
19	2200001019	止推墊片Thrust Plate -----	2
20	22000002471	孔塞Plug -----	2
21	2220001021	結線鉤驅動軸Looper Drive Bar -----	1
22	220A0001022	連桿組Connecting Rod Asm -----	1
23	22200010231	導桿Guide Bar -----	1
24	8MB05323009B	螺絲Screw (CT1024 M5-0.8*30) -----	1
25	2200001025	墊圈Washer -----	2
26	2200001026	變距連桿銷Adjusting Pin -----	1
27	2200001027	彈簧銷Spring Pin -----	1
28	8MA05320408A	螺帽Nut (CT1028 M5-0.8*4) -----	1
29	2200001029	孔塞Plug -----	2
30	2200001030	偏心輪Eccentric -----	1
31	8MN05320500E	螺絲Screw (CT0903 M5-0.8*5) -----	1
32	90NB263013	滾針軸承Needle Bearing -----	1
33	2200001033	連桿Rod -----	1
34	2200001034	連桿Connecting Rod -----	1
35	8MB95301407K	螺絲Screw (CT0620 M4.5-0.75*14) -----	4
36	2200001036	潑油片Oil Splasher -----	1
37	2200001037	定向導片Orient Guide -----	1
38	8MC95300807E	螺絲Screw (CT1038 M4.5-0.75*8) -----	2
39	2200001039	曲柄Lever -----	1
40	2100000328	孔塞Plug -----	1
41	2200001041	擺動臂Rocker Arm -----	1
42	8MM06401610A	螺絲Screw (CT0625 M6-1*16) -----	1
43	2200001043	止推墊圈Thrust Washer -----	3
44	2200001044	止推軸承Thrust Bearing -----	2
45	2200001045	軸Shaft -----	1
46	8MM06401210C	螺絲Screw (CT1046 M6-1*12) -----	2
47	2200001047	墊圈 Washer -----	1
48	220A0001048	曲柄組Lever Asm -----	1
49	220A0001049	連桿組Connecting Rod Asm -----	1
50	220A0001050	連桿組 Connecting Rod Asm -----	1

11. CT9000/CTD9000 / CTF9011 進給變換機構 Feed Control Driving

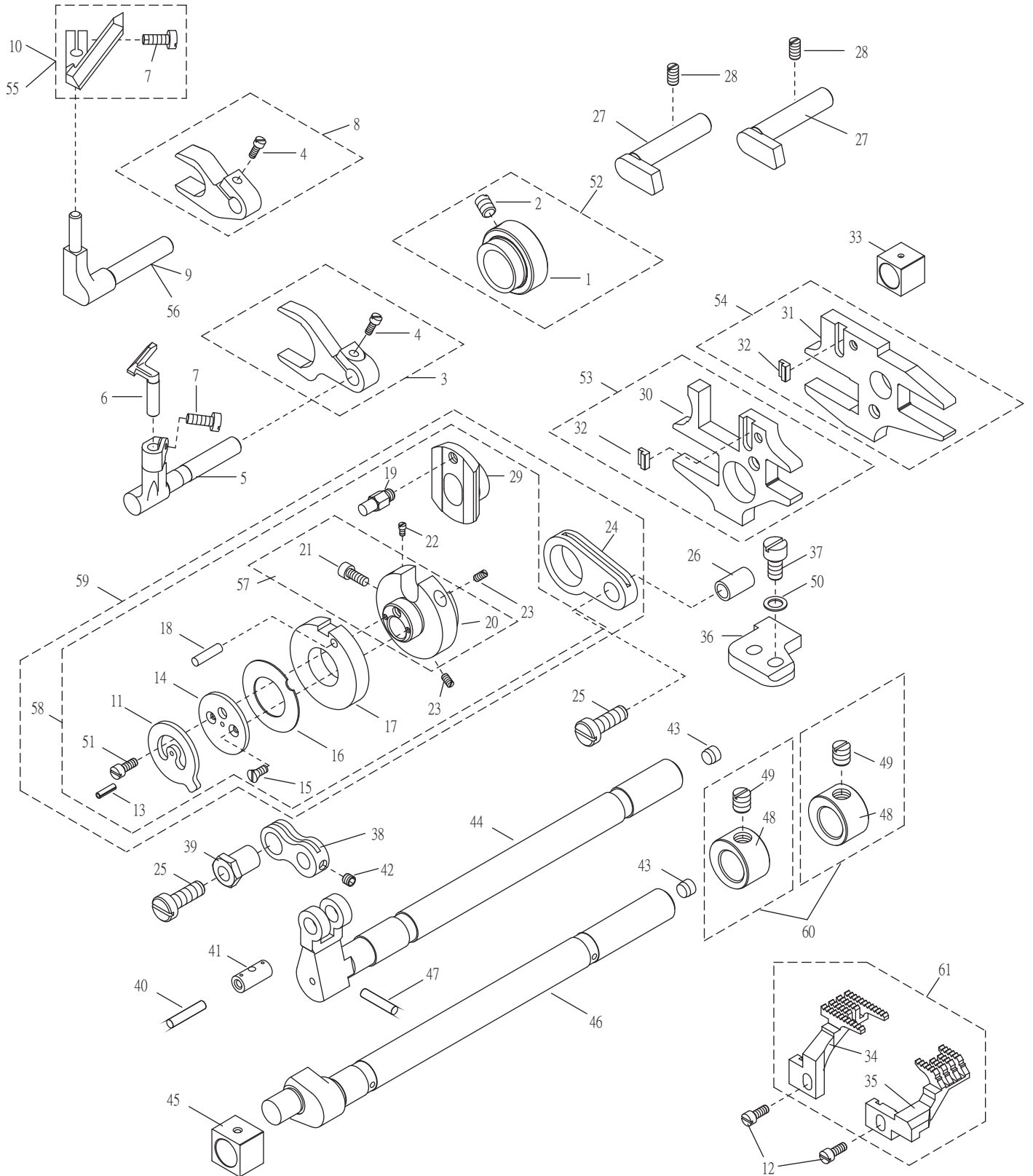


11. CT9000/CTD9000 / CTF9011進給變換機構Feed Control Driving

序號 Ref.No.	圖號 Parts No.	名稱 Description	單位用量 Amt .Req.
1	2200001101	曲柄 Lever -----	1
2	8MN06400600A	螺絲 Screw (CT0244 M6-1*6) -----	5
3	2200001103	曲柄銷 Rod Pin -----	1
4	8MN04280600C	螺絲 Screw (CT1104 M4-0.7*6) -----	4
5	2200001105	連桿 Rod -----	1
6	2200001106	C形軸用扣環 C Ring -----	2
7	90NB252910	滾針軸承 Needle Bearing -----	2
8	2200001108	偏心輪 Eccentric -----	1
9	8MN05320500E	螺絲 Screw (CT0903 M5-0.8*5) -----	2
10	2200001110	連桿 Rod -----	1
11	2200001111	連桿銷 Rod Pin -----	2
12	2200001112	連桿 Link -----	1
13	2200001113	連桿 Link -----	1
14	2200001114	曲柄銷 Lever Pin -----	1
15	2200001115	墊圈 Washer -----	1
16	8MB04280807K	螺絲 Screw (CT0215 M4-0.7*8) -----	2
17	2200001117	曲柄 Lever -----	1
18	8MM04281207A	螺絲 Screw (CT0202 M4-0.7*12) -----	1
19	2220001119	承座 Bracket -----	1
20	2200001120	懸臂式滑軌 Guide -----	1
21	2200001121	彈簧 Spring -----	1
22	2200001122	彈簧掛鉤 Pin -----	2
23	2200001123	軸襯 Bushing -----	1
24	90OR160	O形油環 O Ring -----	1
25	2200001125	油封 Oil Seal -----	1
26	2220001126	差動游標軸 Shaft -----	1
27	2220001127	調節螺樁 Adjusting Screw -----	1
28	2220001128	微調定位銷 Differential Feed Block -----	1
29	2220001129	彈簧 Spring -----	1
30	2220001130	墊圈 Washer -----	1
31	90ER035	E形扣環-----	1
32	66800	油線 Oil Wick -----	1
33	2200001025	墊圈 Washer -----	1
34	90SW050	彈簧墊圈 Spring Washer -----	1
35	8MM05320809A	螺絲 Screw (CT1145 M5-0.8*8) -----	1
36	8MB06401108Q	螺樁 Stud (CT1146 M6-1*11) -----	1
37	2200001137	皿形墊圈 Disc Washer -----	1
38	2220001138	差動變換桿 Lever -----	1
39	2220001139	差動刻記板 Regulator Plate -----	1
40	8ME04282208A	螺絲 Screw (NCT1140 M4-0.7*22) -----	2
41	2220001141	隔環 Spacer -----	2
42	2200001142	止動環 Stopper -----	1
43	2200001147	螺帽 Nut -----	1
44	220A0001149	曲柄組 Lever Asm. -----	1
45	222A0001145	差動變換桿組 Lever Set -----	1

## 12. CT9000/CTD9000 / CTF9011導針與送布齒驅動機構

### Needle Guide And Feed Dog Driving For CT9000/CTD9000 / CTF9011



序號 Ref.No.	名稱 Description	針距 Distance Of Needles			
		4.0	4.8	5.6	6.4
34	主送布齒 Main Feed Dog	5220FD00563	5220FD00563	5220FD00563	5220FD00643
35	副送布齒 Diff Feed Dog	5220DF00560	5220DF00560	5220DF00560	5220DF00640
61	送布齒組 Feed Dog Asm.	5220DG0016	5220DG0016	5220DG0016	5220DG0017

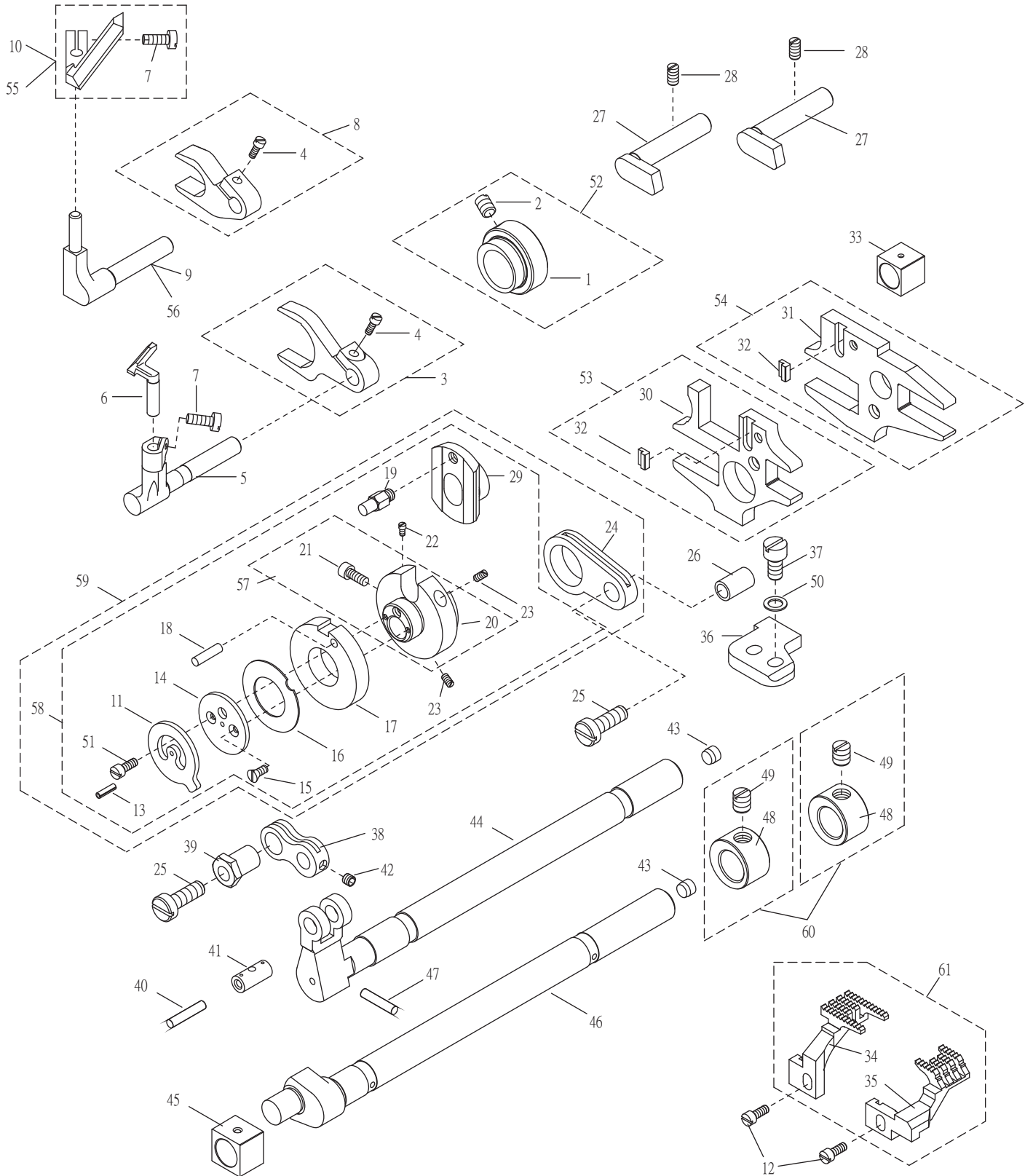
12. CT9000/CTD9000 / CTF9011 導針與送布齒驅動機構

Needle Guide And Feed Dog Driving For CT9000/CTD9000 / CTF9011

序號 Ref.No.	圖號 Parts No.	名稱 Description	單位用量 Amt .Req.
1	2200001201	導針擺動凸輪 Eccentric Cam -----	1
2	8MN05320500E	螺絲 Screw (CT0903 M5-0.8*5) -----	2
3	2200001203	導針擺動曲柄 Lever -----	1
4	8MB03201006A	螺絲 Screw (CT1204 M3-0.5*10) -----	2
5	2200001205	前導針座 Needle Guide Holder -----	1
6	5220NG00563	前導針器 Needle Guide -----	1
7	8MB03200606K	螺絲 Screw (CT1207 M3-0.5*6) -----	2
8	2200001208	導針擺動曲柄 Lever -----	1
9	2200001251	後導針座 Needle Guide Holder -----	1
10	5220NG00562	後導針器 Needle Guide -----	1
11	2200001211	限動片 Stopper -----	1
12	8MB85240806K	螺絲 Screw (CT0635 M3.5-0.6*8 ) -----	2
13	2200001027	彈簧銷 Spring Pin -----	1
14	2200001214	壓板 Presser -----	1
15	8ME02160404A	螺絲 Screw (CT1215 M2-0.4*4) -----	2
16	2200001216	緊迫簧片 Disc Spring -----	1
17	2200001217	變距凸輪 Cam -----	1
18	90SP0308	止動銷 Stopper Pin -----	1
19	2200001219	引動銷 Drive Pin -----	1
20	2200001220	變距滑道 Slide Guide -----	1
21	8MB85240605K	螺絲 Screw (CT1221 M3.5-0.6*6) -----	1
22	8MN03200300A	螺絲 Screw (CT0115 M3-0.5*3) -----	1
23	8MN04280600A	螺絲 Screw (CT1223 M4-0.7*6) -----	2
24	2200001224	連桿 Link -----	1
25	8MB05321809K	螺絲 Screw (CT1225 M5-0.8*17.8) -----	2
26	2200001226	連桿銷 Pin -----	1
27	2200001227	懸臂式滑軌 Guide -----	2
28	8MN06400600A	螺絲Screw (CT0918 M6-1*6) -----	2
29	2200001229	變距滑塊Slide Block -----	1
30	2200001230	主送齒驅動座 Feed Dog Seat -----	1
31	2200001231	副送齒驅動座 Feed Dog Seat -----	1
32	2200001232	送布齒定位鍵 Locator Key -----	2
33	2200001233	滑塊 Slide Block -----	1
34	-----	主送布齒 Main Feed Dog(See Left Page) -----	1
35	-----	副送布齒 Diff.Feed Dog(See Left Page) -----	1
36	2200001236	送齒座側導塊 Guide Block -----	1
37	8MB04281007K	螺絲 Screw(CT1237 M4-0.7*10) -----	2
38	2200001238	連桿 Link -----	1
39	2200001239	連桿銷 Pin -----	1
40	66800	油線 Oil Wick -----	1
41	2200001241	連桿銷 Pin -----	1
42	8MN03200400C	螺絲 Screw (CT1242 M3-0.5*4) -----	1
43	2200001243	孔塞 Plug -----	2
44	2200001244	曲柄 Shaft -----	1
45	2200001245	滑塊 Slide Block -----	1
46	2200001246	曲軸 Crank Shaft -----	1
47	66802	油線 Oil Wick -----	1
48	2200001248	定位環 Collar -----	2
49	8MN06400500A	螺絲 Screw (CT0513 M6-1*5) -----	2
50	2100000223	墊圈 Washer -----	2

## 12. CT9000/CTD9000 / CTF9011導針與送布齒驅動機構

### Needle Guide And Feed Dog Driving For CT9000/CTD9000 / CTF9011



序號 Ref.No.	名稱 Description	針距 Distance Of Needles			
		4.0	4.8	5.6	6.4
34	主送布齒 Main Feed Dog	5220FD00563	5220FD00563	5220FD00563	5220FD00643
35	副送布齒 Diff Feed Dog	5220DF00560	5220DF00560	5220DF00560	5220DF00640
61	送布齒組 Feed Dog Asm.	5220DG0016	5220DG0016	5220DG0016	5220DG0017

12. CT9000/CTD9000 / CTF9011 導針與送布齒驅動機構

Needle Guide And Feed Dog Driving For CT9000/CTD9000 / CTF9011

序號 Ref.No.	圖號 Parts No.	名稱 Description	單位用量 Amt .Req.
51	8MB85240807K	螺絲 Screw (FT0555 M3.5-0.6*8) -----	1
52	222A0001252	導針擺動凸輪組 Eccentric Cam Asm -----	1
53	222A0001253	主送齒驅動座組 Feed Dog Seat Asm -----	1
54	222A0001254	副送齒驅動座組 Feed Dog Seat Asm -----	1
*55	5220NG00561	後導針器 Needle Guide -----	1
*56	2200001209	後導針座 Needle Guide Holder -----	1
57	220A0001256	變距滑道組 Slide Guide Asm -----	1
58	220A0001254	變距滑道組 Slide Guide Asm -----	1
59	220A0001255	變距滑道組 Slide Guide Asm -----	1
60	220A0001252	定位環組 Collar Asm -----	2
61	-----	送布齒組 Feed Dog Asm. (See Left Page) -----	1

\*特註品 Custom-Item