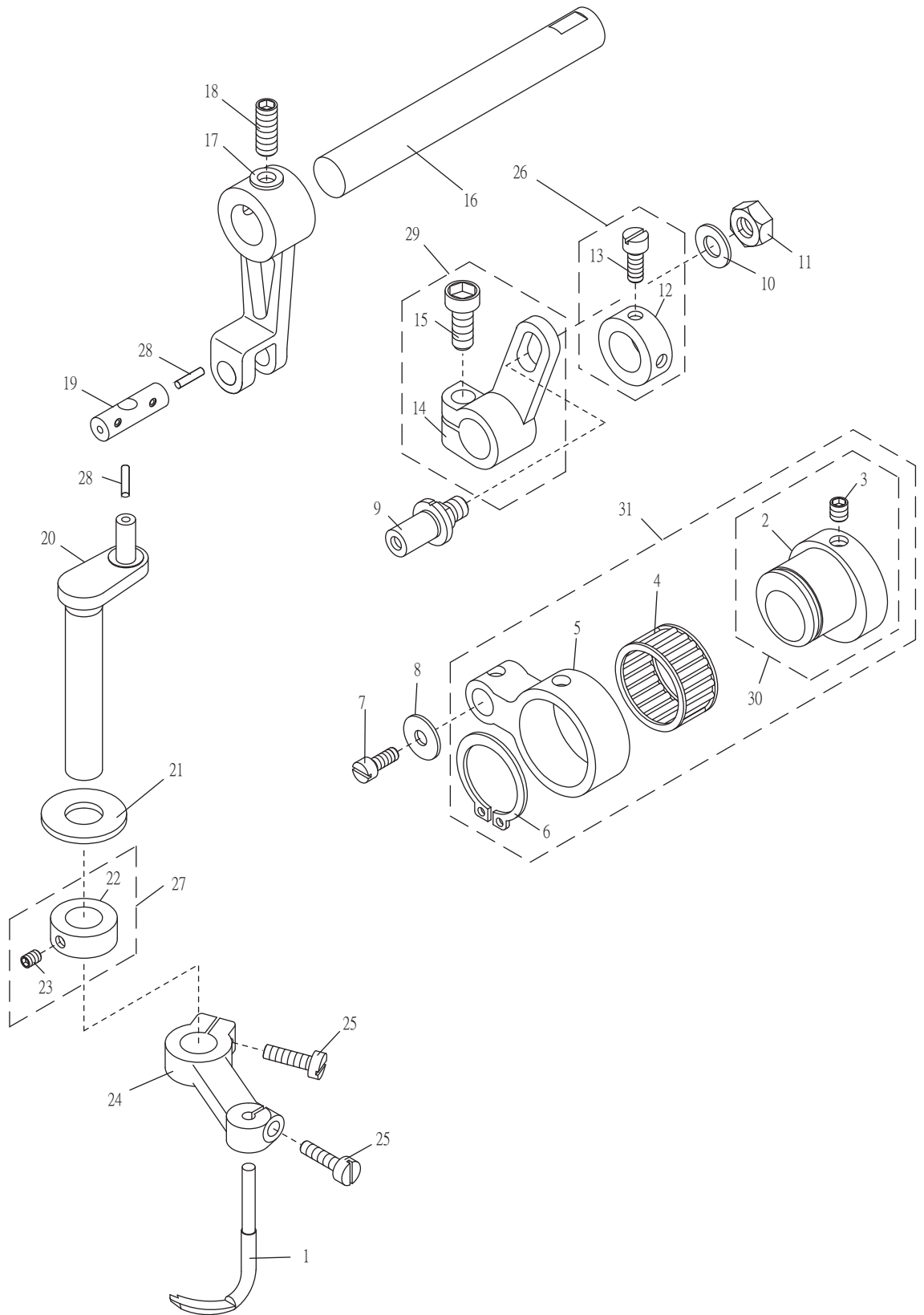


9. CT9000 / CT9611 / CTD9000 / CTD9611 裝飾線驅動機構
Spreader Mechanism For CT9000 / Ct9611 / CTD9000 / CTD9611



9. CT9000 / CT9611 / CTD9000 / CTD9611 裝飾線驅動機構

Spreader Mechanism For CT9000 / CT9611 / CTD9000 / CTD9611

序號 Ref.No.	圖號 Parts No.	名稱 Description	單位用量 Amt .Req.
1	5220SL00560	裝飾線結線鉤Spreader -----	1
2	2200000902	偏心輪Eccentric -----	1
3	8MN05320500E	螺絲Screw (CT0903 M5-0.8*5) -----	2
4	90NB222613	滾針軸承Needle Bearing -----	1
5	2200000905	連桿Connecting Rod -----	1
6	90SCR220	軸用C形扣環C Ring -----	1
7	8MB04280807K	螺絲Screw (CT0215 M4-0.7*8) -----	1
8	2200000908	墊圈Washer -----	1
9	2200000909	曲柄銷Rod Pin -----	1
10	2200000910	墊圈Washer -----	1
11	8MA06400510A	螺帽Nut (CT0533 M6-1*5) -----	1
12	2200000912	定位環Collar -----	1
13	8MC95300606F	螺絲Screw (CT0823 M4.5-0.75*5.5) -----	2
14	2200000914	變距曲柄Lever -----	1
15	8MM06401610A	螺絲Screw (CT0625 M6-1*16) -----	1
16	2200000916	軸Shaft -----	1
17	2220000917	連桿Connecting Rod -----	1
18	8MN06400600A	螺絲Screw (CT0244 M6-1*6) -----	2
19	2220000919	連桿銷Rod Pin -----	1
20	2220000920	曲軸Crank Shaft -----	1
21	2200000921	墊圈Washer -----	1
22	2200000922	定位環Collar -----	1
23	8MH85240500A	螺絲Screw (CT0923 M3.5-0.6*4.5) -----	2
24	22000009241	擺動臂Spreader Arm -----	1
25	8MB04281207K	螺絲Screw (CT0239 M4-0.7*12) -----	2
26	220A0000926	定位環組Collar Asm -----	1
27	220A0000927	定位環組Collar Asm -----	1
28	66801	油線Oil Wick -----	2
29	222A0000929	變距曲柄Lever -----	1
30	222A0000930	偏心輪組Collar Asm -----	1
31	222A0000931	偏心輪組Collar Asm -----	1