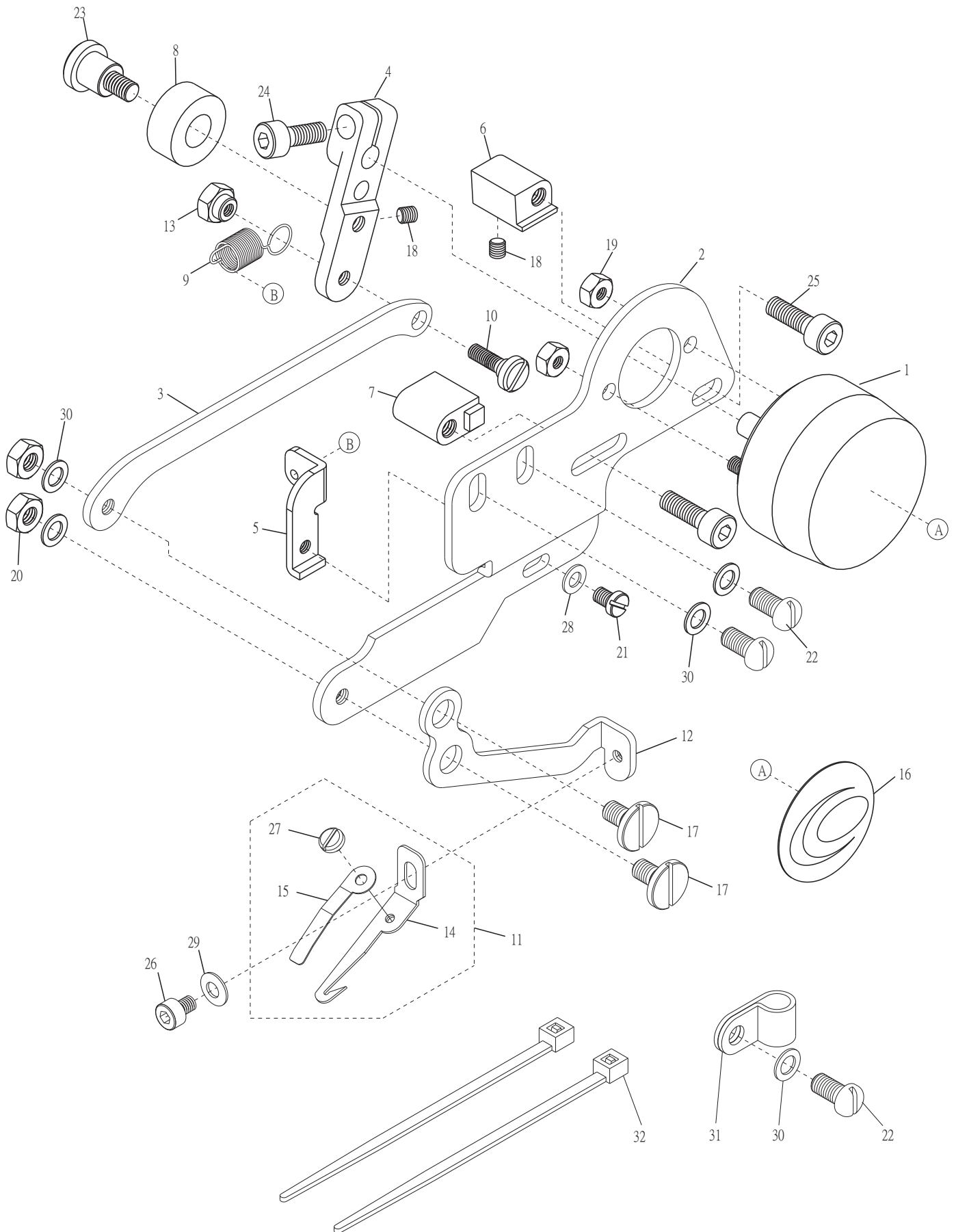


WPG01 電控式撥線裝置 WPG01 Thread-Wipe Components



WPG01 電控式撥線裝置 WPG01 Thread-Wipe Components

序號 Ref. No.	物料編號 Parts Number	名稱 Description	單位用量 Amt.Req.
1	4WPG010101	磁力線圈 Wiper Solenoid -----	1
2	4WPG0101021	支架 Solenoid Support -----	1
3	4WPG0101031	連桿 Arm -----	1
4	4WPG010104	驅動臂 Driving Lever -----	1
5	4WPG010105	支架 Solenoid Support -----	1
6	4WPG010106	限動塊 Stop Block -----	1
7	4WPG010107	限動塊 Stop Block -----	1
8	4WPG010108	減震墊 Rubber cushion -----	1
9	4WPG010109	彈簧 Spring -----	1
10	4WPG010110	螺樁 Stud (WPG0110) -----	1
11	4WPG01A0111	抓線鉤組 Hook Asm -----	1
12	4WPG0101121	連桿 Arm -----	1
13	4WPG010113	螺帽 Nut -----	1
14	4WPG010114	抓線鉤 Hook -----	1
15	4WPG010115	夾簧 Latch Spring -----	1
16	66480-18	銘板 Plate -----	1
17	8MB04280810G	螺樁 Stud (WPG0117) -----	2
18	8MN03200300A	螺絲 Screw (CT0115 M3-0.5*3) -----	2
19	8MA03200306A	螺帽 Nut (FTB0111 M3-0.5*3) -----	2
20	8MA04280307A	螺帽 Nut (CT0238 M4-0.7*3) -----	2
21	8MB03200606K	螺絲 Screw (CT1207 M3-0.5*6) -----	1
22	8MB04280807K	螺絲 Screw (CT0215 M4-0.7*8) -----	3
23	8MB04281210E	螺樁 Stud (WPG0123) -----	1
24	8MM04281007A	螺絲 Screw (FT0203 M4-0.7*10) -----	1
25	8MM04281207A	螺絲 Screw (CT0202 M4-0.7*12) -----	2
26	8MM03200406A	螺絲 Screw (WPB0116 M3-0.5*4) -----	1
27	8SB24560205A	螺絲 Screw (SH1011 3/32"-56*2) -----	1
28	90PW030	墊圈 Washer -----	1
29	90DW030	碟形墊圈 Disk Washer -----	1
30	90DW040	碟形墊圈 Disk Washer -----	5
31	4UTD000254	線夾 Cord Clamp -----	1
32	4UTB020306	束線 Plastic Binding Wire -----	2