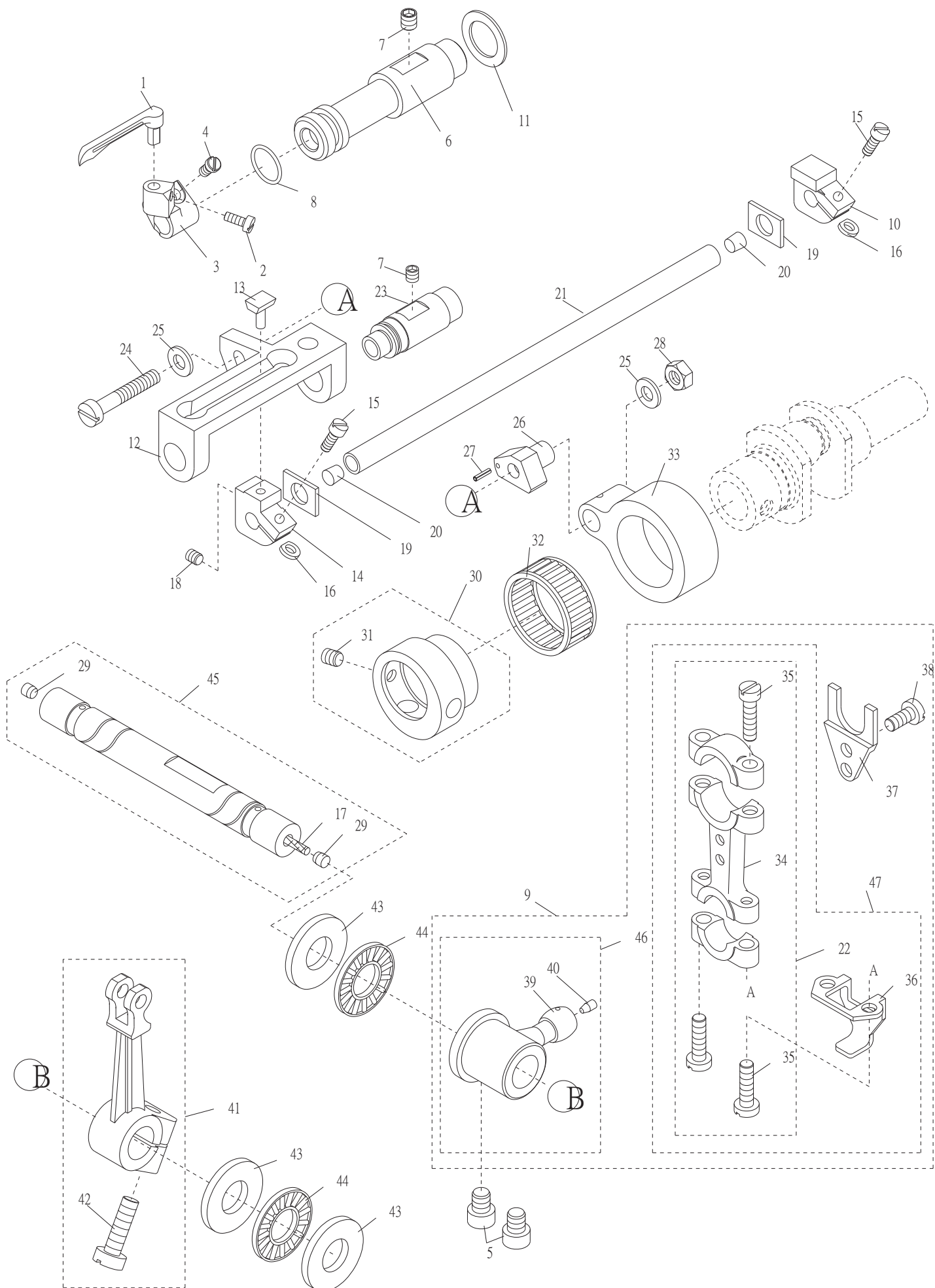


10. CT9611/CTD9611/CTF9611 結線鉤驅動機構
 Looper Driving Mechanism For CT9611/CTD9611/CTF9611

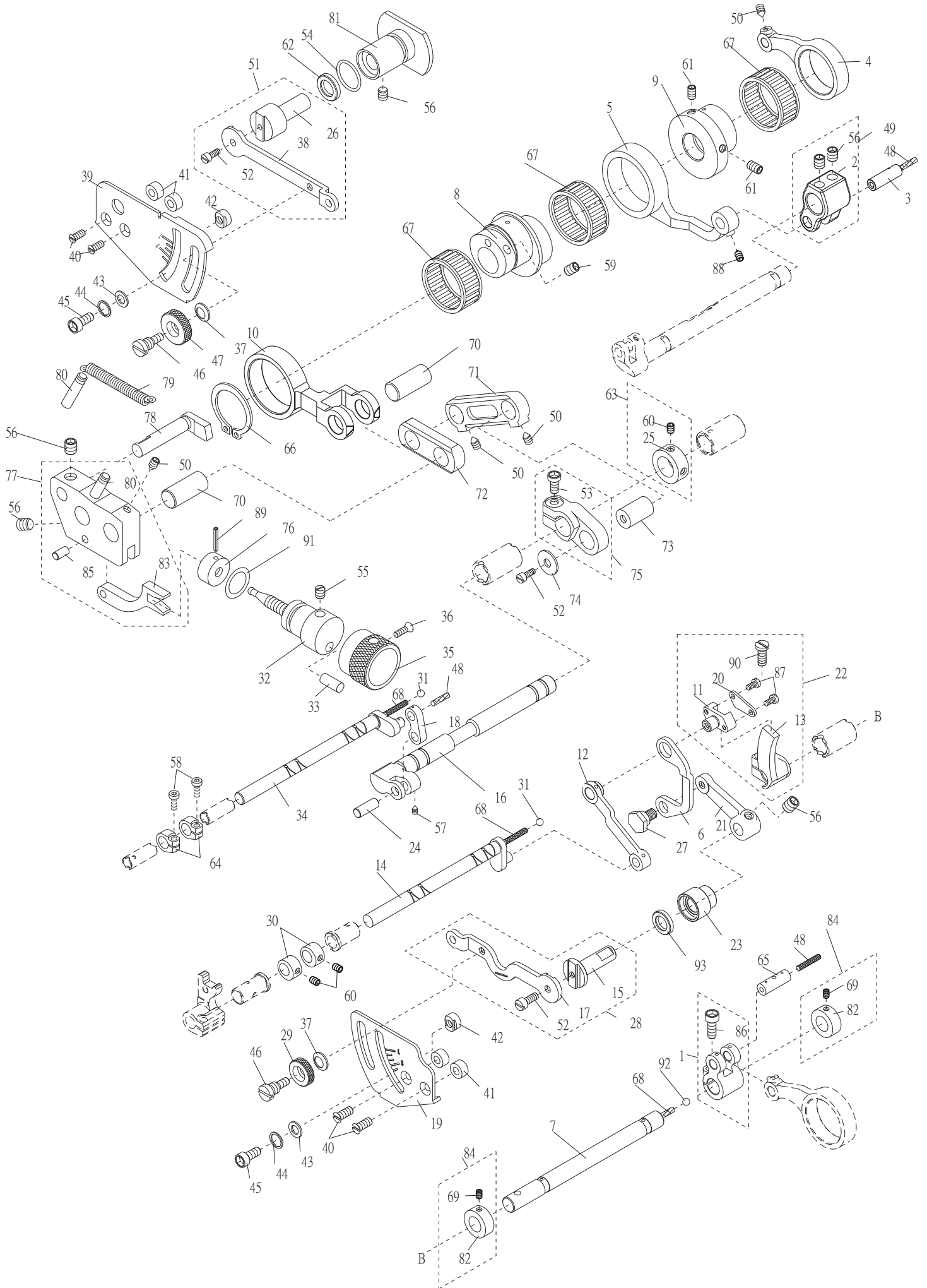


10. CT9611/CTD9611/CTF9611 結線鉤驅動機構

Looper Driving Mechanism For CT9611/CTD9611/CTF9611

序號	物料編號	名稱	單位用量
Ref. No.	Parts Number	Description	Amt. Req.
1	5220LL00560	下結線鉤 Looper -----	1
2	8MB85240605A	螺絲 Screw (CT1002 M3.5--0.6*6) -----	1
3	2260001003	結線鉤座 Looper Holder -----	1
4	8MB85240806K	螺絲 Screw (CT0635 M3.5-0.6*8) -----	1
5	8MM06401210C	螺絲 Screw (CT1046 M6-1*12) -----	2
6	2260001006	軸襯 Bushing -----	1
7	8MN06400600A	螺絲 Screw (CT0244 M6-1*6) -----	2
8	90ORP10A	O形油環 O Ring -----	1
9	220A0001050	連桿組 Connecting Rod Asm -----	1
10	2220001010	滑塊固定座 Slider Holder -----	1
11	2200001011	墊圈 Washer -----	1
12	22200010121	滑道 Guide Block -----	1
13	2200001013	滑塊 Slide block -----	1
14	2200001014	滑塊固定座 Slider Holder -----	1
15	8MB85241106A	螺絲 Screw (CT1015 M3.5-0.6*11) -----	2
16	2200001016	墊圈 Washer -----	2
17	66800	油線 Oil Wick -----	1
18	8MN04280400A	螺絲 Screw (CT0229 M4-0.7*4) -----	1
19	2200001019	止推墊片 Thrust Plate -----	2
20	22000002471	孔塞 Plug -----	2
21	2220001021	結線鉤驅動軸 Looper Drive Bar -----	1
22	220A0001022	連桿組 Connecting Rod Asm -----	1
23	22200010231	軸襯 Bushing -----	1
24	8MB05323009B	螺絲 Screw (CT1024 M5-0.8*30) -----	1
25	2200001025	墊圈 Washer -----	2
26	2260001026	變距連桿銷 Adjusting Pin -----	1
27	2200001027	彈簧銷 Spring Pin -----	1
28	8MA05320408A	螺帽 Nut (CT1028 M5-0.8*4) -----	1
29	2200001029	孔塞 Plug -----	2
30	2260001030	偏心輪 Eccentric -----	1
31	8MN05320500E	螺絲 Screw (CT0903 M5-0.8*5) -----	1
32	90NB263010	滾針軸承 Needle Bearing -----	1
33	2260001033	連桿 Rod -----	1
34	2200001034	連桿 Connecting Rod -----	1
35	8MB95301407K	螺絲 Screw (CT0620 M4.5-0.75*14) -----	4
36	2200001036	潑油片 Oil Splasher -----	1
37	2200001037	定向導片 Orient Guide -----	1
38	8MC95300807E	螺絲 Screw (CT1038 M4.5-0.75*8) -----	2
39	2200001039	曲柄 Lever -----	1
40	2100000328	孔塞 Plug -----	1
41	2200001041	擺動臂 Rocker Arm -----	1
42	8MM06401610A	螺絲 Screw (CT0625 M6-1*16) -----	1
43	2200001043	止推墊圈 Thrust Washer -----	3
44	2200001044	止推軸承 Thrust Bearing -----	2
45	2200001045	軸 Shaft -----	1
46	220A0001048	曲柄組 Lever Asm -----	1
47	220A0001049	連桿組 Connecting Rod Asm -----	1

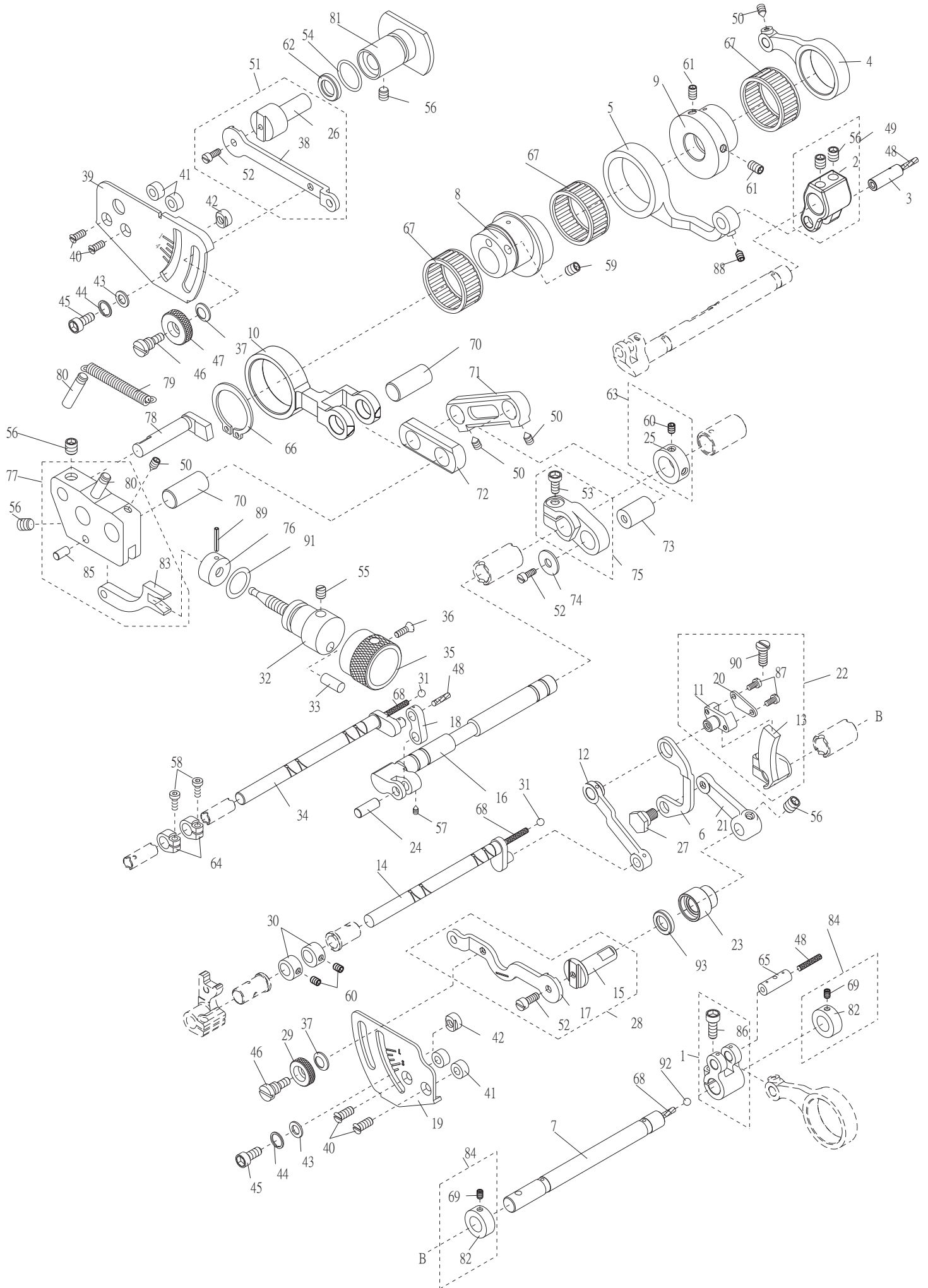
11. CT9611/CTD9611 進給變換機構 Feed Control Driving For CT9611/CTD9611



11. CT9611/CTD9611 進給變換機構 Feed Control Driving For CT9611/CTD9611

序號	物料編號	名稱	單位用量
Ref. No.	Parts Number	Description	Amt. Req.
1	2260001101	曲柄 Lever -----	1
2	22600011021	曲柄 Lever -----	1
3	22600011031	曲柄銷 Lever Pin -----	1
4	2260001104	連桿 Link -----	1
5	2260001105	連桿 Rod -----	1
6	2260001106	連桿 Link -----	1
7	2260001107	軸 Shaft -----	1
8	2260001108	偏心輪 Eccentric -----	1
9	2260001109	偏心輪 Eccentric -----	1
10	2260001110	連桿 Rod -----	1
11	2260001111	差動變距滑塊 Slide Block -----	1
12	2260001112	連桿 Link -----	1
13	2260001113	差動變距滑道 Differential Rocker -----	1
14	22600011141	軸 Shaft -----	1
15	2260001115	差動游標軸 Shaft -----	1
16	2260001116	曲柄 Lever -----	1
17	2260001117	差動變換桿 Lever -----	1
18	2260001118	連桿 Link -----	1
19	2260001119	差動刻記板 Regulator Plate -----	1
20	2260001120	滑塊檔板 Slide Block Cap -----	1
21	2260001121	差動變換臂 Differential Lever -----	1
22	226A0001122	差動變距組 Slide Block Asm. -----	1
23	2260001123	軸襯 Bushing -----	1
24	2260001124	曲柄銷 Lever Pin -----	1
25	2260001125	隔環 Spacer -----	1
26	2260001126	差動游標軸 Shaft -----	1
27	8MK05321010E	螺絲 Screw (CT961127 M5-0.8*10) -----	1
28	226A0001128	差動變換桿組 Lever Set -----	1
29	2260001129	螺帽 Nut -----	1
30	2260001130	定位環 Collar -----	2
31	2100000403	孔塞 Plug -----	2
32	2200001132	差動微調螺桿 Stud -----	1
33	2200001133	止動銷 Stopper Pin -----	1
34	2260001134	軸 Shaft -----	1
35	2200001135	差動微調旋鈕 Knob -----	1
36	8ME03200606A	螺絲 Screw (CT0235 M3-0.5*6) -----	1
37	2200001137	皿形墊圈 Disc Washer -----	2
38	2200001138	差動變換桿 Lever -----	1
39	2200001139	差動刻記板 Regulator Plate -----	1
40	8ME04281408A	螺絲 Screw (CT1140 M4-0.7*14) -----	4
41	2200001141	隔環 Spacer -----	4
42	2200001142	止動環 Stopper -----	2
43	2200001025	墊圈 Washer -----	2
44	90SW050	彈簧墊圈 Spring Washer -----	2
45	8MM05320809A	螺絲 Screw (CT1145 M5-0.8*8) -----	2
46	8MB06401108Q	螺樁 Stud (CT1146 M4.5-0.75*11) -----	2
47	2200001147	螺帽 Nut -----	1
48	66800	油線 Oil Wick -----	3
49	226A0001149	曲柄組 Lever Asm.-----	1
50	8MN04280600C	螺絲 Screw (CT1104 M4-0.7*6) -----	4

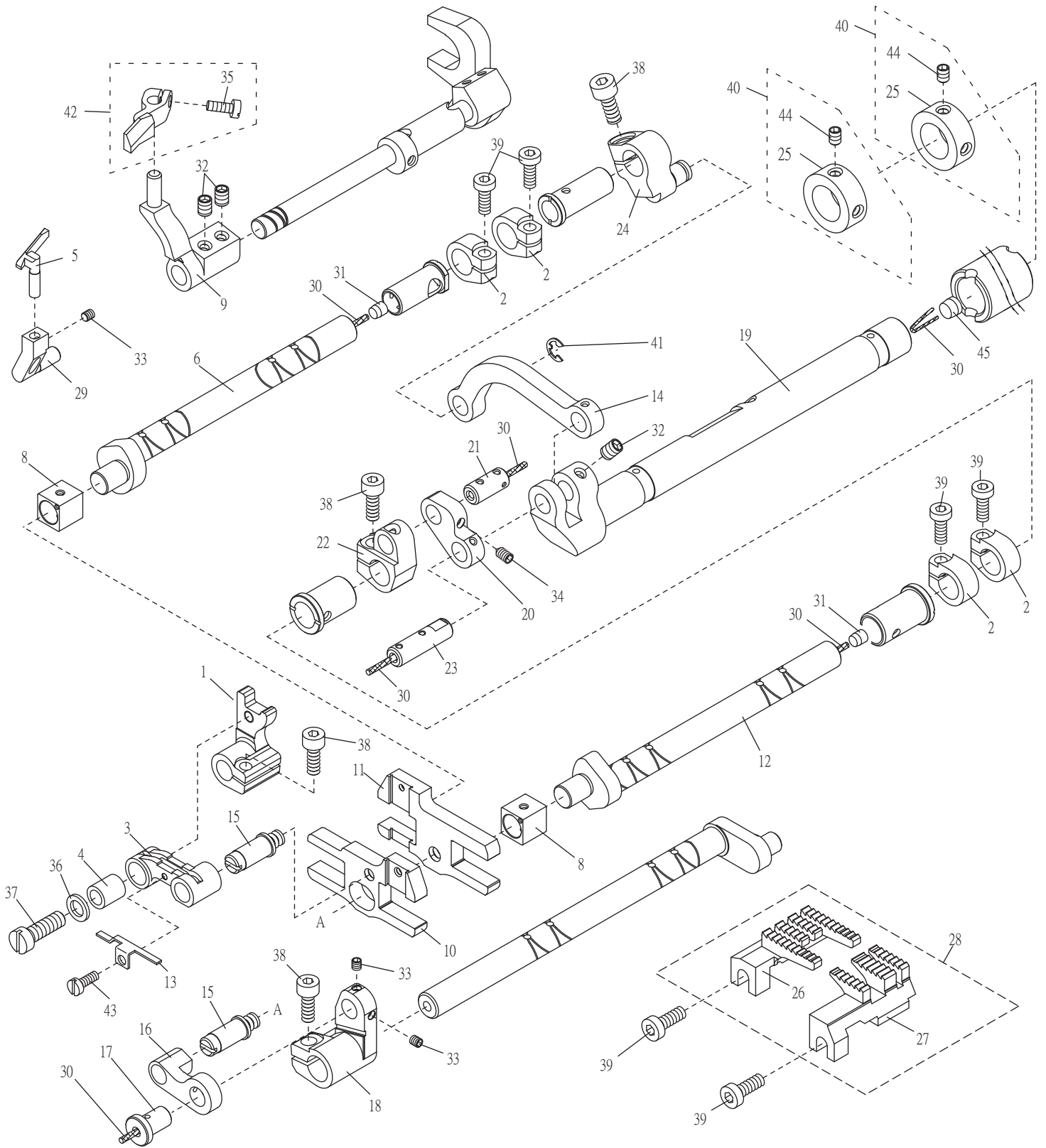
11. CT9611/CTD9611 進給變換機構 Feed Control Driving For CT9611/CTD9611



11. CT9611/CTD9611 進給變換機構 Feed Control Driving For CTT9611/CTD9611

序號	物料編號	名稱	單位用量
Ref. No.	Parts Number	Description	Amt.Req.
51	226A0001151	差動變換桿組 Lever Set -----	1
52	8MB04280807K	螺絲 Screw (CT0215 M4-0.7*8) -----	3
53	8MM04281207A	螺絲 Screw (CT0202 M4-0.7*12) -----	1
54	90OR160	O形油環 O Ring -----	1
55	8MH04280400A	螺絲 Screw (CT1134 M4-0.7*4) -----	1
56	8MN06400600A	螺絲 Screw (CT0244 M6-1*6) -----	6
57	8MN03200400C	螺絲 Screw (CT1242 M3-0.5*4) -----	1
58	8MM03200806A	螺絲 Screw (CT961239 M3-0.5*8) -----	2
59	8MN05320500E	螺絲 Screw (CT0903 M5-0.8*5) -----	2
60	8MN04280400A	螺絲 Screw (CT0229 M4-0.7*4) -----	3
61	8MN05321000E	螺絲 Screw (MT0843 M5-0.8*10) -----	2
62	2200001125	油封 Oil Seal -----	1
63	226A0001163	定位環組 Collar Asm -----	1
64	2260001202	定位環 Collar -----	2
65	2200001103	曲柄銷 Rod Pin -----	1
66	2200001106	C形軸用扣環 C Ring -----	1
67	90NB252910	滾針軸承 Needle Bearing -----	3
68	66800	油線 Oil Wick -----	3
69	8MN85240300A	螺絲 Screw (UH0302 M3.5-0.6*3) -----	2
70	2200001111	連桿銷 Rod Pin -----	2
71	2200001112	連桿 Link -----	1
72	2200001113	連桿 Link -----	1
73	2200001114	曲柄銷 Lever Pin -----	1
74	2200001115	墊圈 Washer -----	1
75	2200001117	曲柄 Lever -----	1
76	2200001129	引動螺帽 Nut -----	1
77	2200001119	承座 Bracket -----	1
78	2200001120	懸臂式滑軌 Guide -----	1
79	2200001121	彈簧 Spring -----	1
80	2200001122	彈簧掛鉤 Pin -----	2
81	2200001123	軸襯 Bushing -----	1
82	2200000922	定位環 Collar -----	2
83	2200001128	差動微調頂桿 Link -----	1
84	226A0001184	定位環組 Collar Asm -----	2
85	90ST0410	連桿銷 Pin -----	1
86	8MM06401210A	螺絲 Screw (FT1103 M6-1*12) -----	1
87	8MB03200806K	螺絲 Screw (CT0623 M3-0.5*8) -----	2
88	8MN04280500C	螺絲 Screw (FT1222 M4-0.7*5) -----	1
89	90SP0206	彈簧銷 Spring Pin -----	1
90	8MB06401309A	螺絲 Screw (UH0364 M6-1*13.5) -----	1
91	90OR120	O形油環 O Ring -----	1
92	2120001264	孔塞 Plug -----	1
93	2200000404	油封 Oil Seal -----	1

12. CT9611/CTD9611 導針與送布齒驅動機構 Needle Guide And Feed Dog Driving For CT9611/CTD9611



序號 Ref.No.	名稱 Description	針距 Distance Of Needles			
		4.0	4.8	5.6	6.4
26	主送布齒 Main Feed Dog	5226FD11480		5226FD11560	
27	副送布齒 Diff Feed Dog	5226DF11480		5226DF11560	
28	送布齒組 Feed Dog Asm.	5226DG0001		5226DG0002	

12. CT9611/CTD9611 導針與送布齒驅動機構 Needle Guide And Feed Dog Driving For CT9611/CTD9611

序號	物料編號	名稱	單位用量
Ref. No.	Parts Number	Description	Amt. Req.
1	2260001201	曲柄 Lever -----	1
2	2260001202	定位環 Collar -----	4
3	2260001203	連桿 Link -----	1
4	2260001204	隔環 Spacer -----	1
5	5226NG00562	前導針器 Needle Guide -----	1
6	2260001206	軸 Shaft -----	1
7	-----	-----	-
8	2260001208	滑塊 Slide Block -----	2
9	2260001209	後導針座 Needle Guide Holder -----	1
10	2260001210	副送齒驅動座 Feed Dog Seat -----	1
11	2260001211	主送齒驅動座 Feed Dog Seat -----	1
12	2260001212	軸 Shaft -----	1
13	2260001213	擋片 Defender -----	1
14	2260001214	連桿 Link -----	1
15	22600012151	螺樁 Stud -----	2
16	2260001216	連桿 Link -----	1
17	2260001217	連桿銷 Pin -----	1
18	2260001218	曲柄 Lever -----	1
19	2260001219	曲柄 Lever -----	1
20	2260001220	連桿 Link -----	1
21	2260001221	連桿銷 Pin -----	1
22	2260001222	曲柄 Lever -----	1
23	2260001223	連桿銷 Pin -----	1
24	2260001224	曲柄 Lever -----	1
25	2260001125	隔環 Spacer -----	2
26	-----	主送布齒 Main Feed Dog(See Left Page) -----	1
27	-----	副送布齒 Diff Feed Dog(See Left Page) -----	1
28	-----	送布齒組 Feed Dog Asm. (See Left Page) -----	1
29	2260001229	前導針座 Needle Guide Holder -----	1
30	66800	油線 Oil Wick -----	6
31	2100001404	孔塞 Plug -----	2
32	8MN04280400A	螺絲 Screw (CT0229 M4-0.7*4) -----	3
33	8MN03200300A	螺絲 Screw (CT0115 M3-0.5*3) -----	3
34	8MN03200400C	螺絲 Screw (CT1242 M3-0.5*4) -----	1
35	8MB03200606K	螺絲 Screw (CT1207 M3-0.5*6) -----	1
36	2200001025	墊圈 Washer -----	1
37	8MB95301407K	螺絲 Screw(CT0620 M4.5-0.75*14) -----	1
38	8MM04281007A	螺絲 Screw (FT0203 M4-0.7*10) -----	4
39	8MM03200806A	螺絲 Screw (CT961239 M3-0.5*8) -----	6
40	226A0001163	定位環組 Collar Asm -----	2
41	90ER040	E形扣環 E-Ring -----	1
42	5226NG00561	後導針器 Needle Guide -----	1
43	8MB75180605A	螺絲 Screw (CTS0221 M2.5-0.45*6) -----	1
44	8MN04280400A	螺絲 Screw (CT0229 M4-0.7*4) -----	2
45	2200001243	孔塞 Plug -----	1