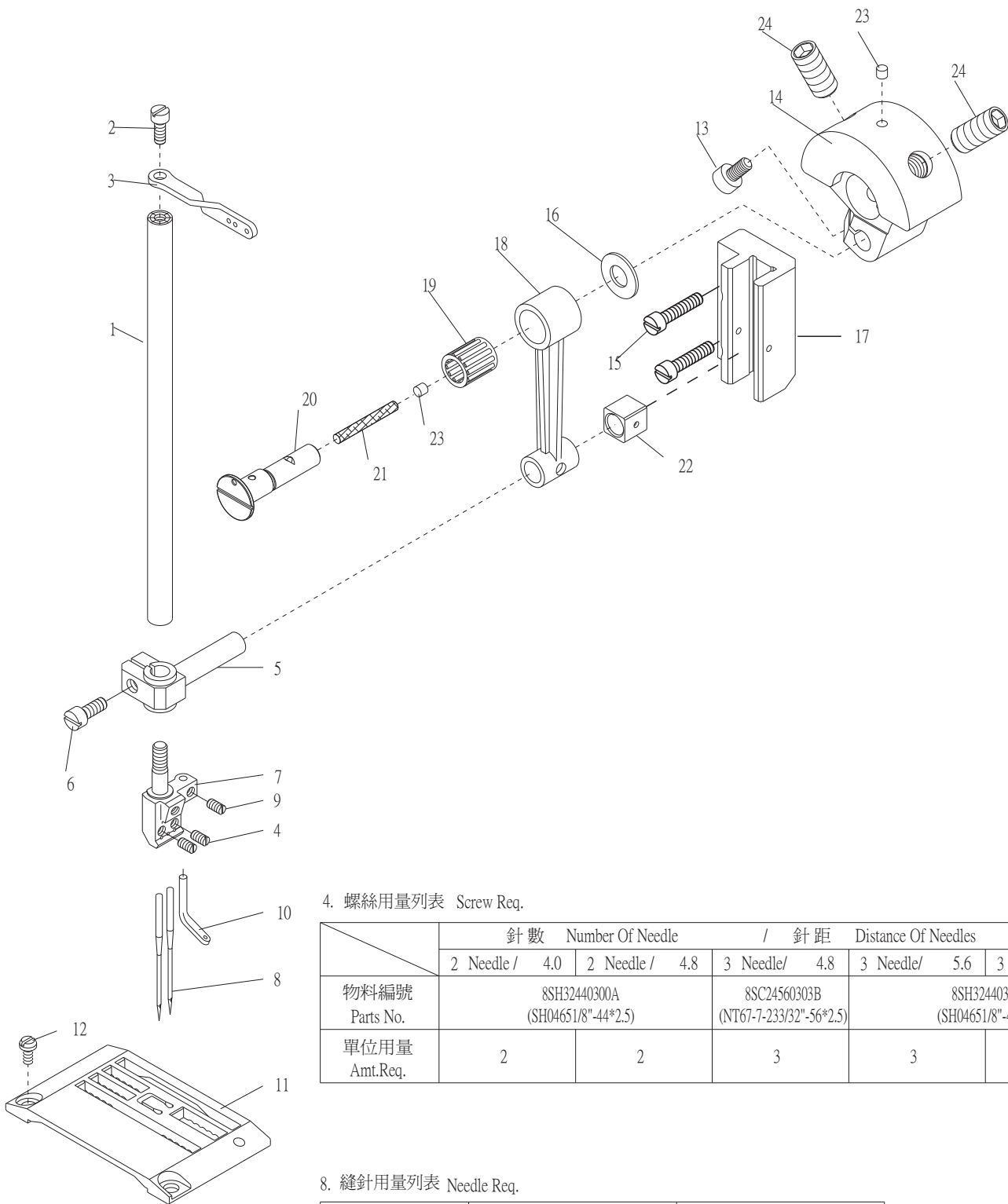


7. CT9611/CTD9611 針棒與相關零件 Needle Bar Components For Ct9611/CTD9611



4. 螺絲用量列表 Screw Req.

	針數 Number Of Needle		/ 針距 Distance Of Needles		
	2 Needle / 4.0	2 Needle / 4.8	3 Needle / 4.8	3 Needle / 5.6	3 Needle / 6.4
物料編號 Parts No.	8SH32440300A (SH04651/8"-44*2.5)		8SC24560303B (NT67-7-233/32"-56*2.5)	8SH32440300A (SH04651/8"-44*2.5)	
單位用量 Amt.Req.	2	2	3	3	3

8. 縫針用量列表 Needle Req.

針號 UY128GAS 66725-11-5	CT96 □□ -0-02 M □□ CT96 □□ -0-2 M □□	CT96 □□ -0-03 M □□ CT96 □□ -0-3 M □□
針數 Needle	2	3

序號 Ref.No.	名稱 Description	針數 Number Of Needle		/ 針距 Distance Of Needles		
		2 Needle / 4.0	2 Needle / 4.8	3 Needle / 4.8	3 Needle / 5.6	3 Needle / 6.4
7	針留 needle clamp	5220NC00400	5220NC00480	5220NC00485	5220NC00561	5220NC00641
11	針板 Needle Plate	5226TP11400	5226TP11480	5226TP11480	5226TP11560	5226TP11640

7. CT9611/CTD9611 針棒與相關零件 Needle Bar Components For CT9611/CTD9611

序號	物料編號	名稱	單位用量
Ref. No.	Parts Number	Description	Amt. Req.
1	22000007011	針棒 Needle Bar -----	1
2	8MB85240607K	螺絲 Screw (CT0637 M3.5-0.6*6) -----	1
3	2200000703	導線 Thread Guide -----	1
4	-----	螺絲 Screw (See Left Page) -----	-
5	2210000705	針棒驅動銷 Needle Bar Clamp -----	1
6	8MB95301107K	螺絲 Screw (CT0706 M4.5-0.75*11) -----	1
7	-----	針留 Needle clamp (See Left Page) -----	1
8	-----	針 Needle --(UY128GAS See Left Page)-----	-
9	8SH32440300A	螺絲 Screw (SH0465 1/8"-44*2.5) -----	1
*10	2200000710	導線 Thread Guide -----	1
11	-----	針板 Needle Plate (See Left Page) -----	1
12	8MB03200506K	螺絲 Screw (CT0525 M3-0.5*5) -----	2
13	8MM05321009A	螺絲 Screw (C06-26 M5-0.8*10) -----	1
14	2270000714	平衡錘 Balance Weight -----	1
15	8MB04281607A	螺絲 Screw (CT0724 M4-0.7*16) -----	2
16	2270000716	墊圈 Washer -----	1
17	2210000727	"滑道 GuideBlock -----	1
18	2210000720	連桿 Connecting Rod -----	1
19	90NB081113	滾針軸承 Needle Bearing -----	1
20	2270000720	曲柄銷 Rod Pin -----	1
21	66800	油線 Oil Wick -----	1
22	2200000722	滑塊 Slide Block -----	1
23	2100001404	孔塞 Plug -----	2
24	8MN08401600E	螺絲 Screw (CT0618 M8-1*16) -----	2

* 具有上飾線 With top cover thread