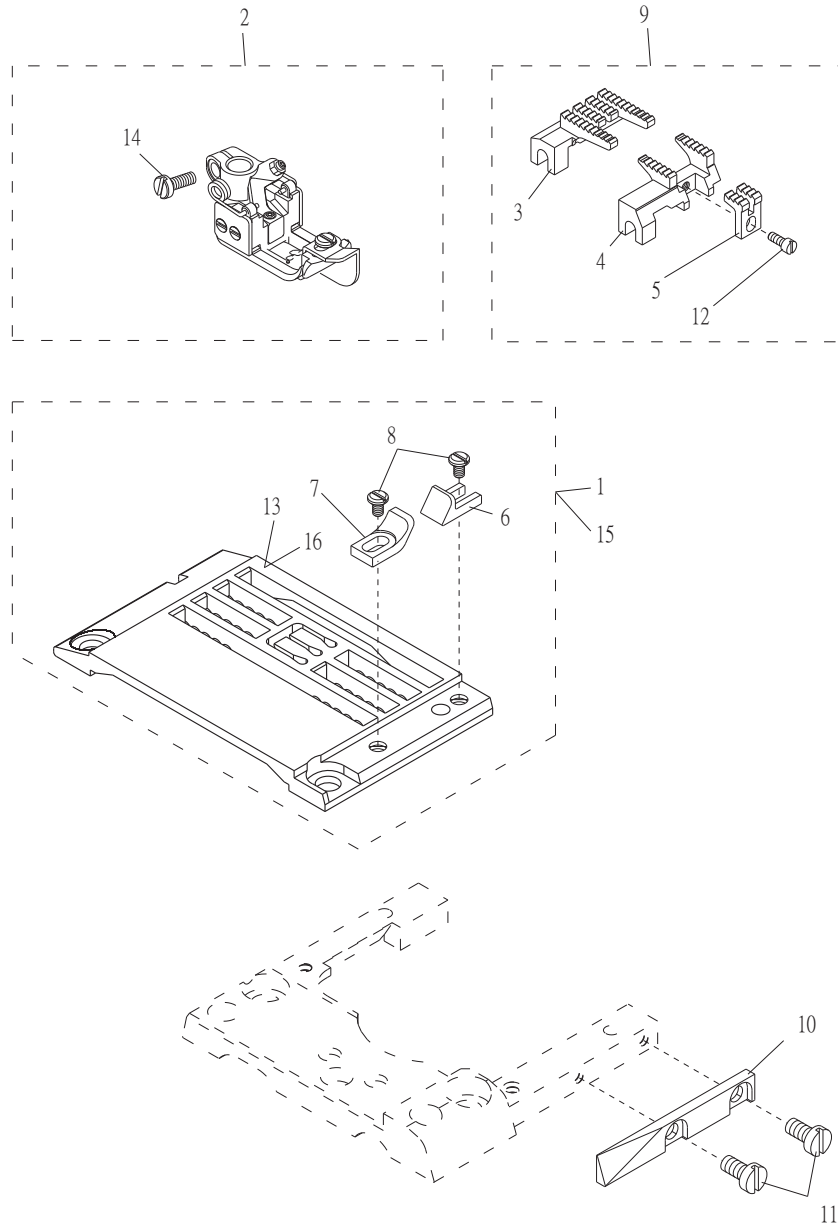


1. CT9613-0 / CTD9613-0 包縫骨壓縫用零件列表
 Parts List For CT9613-0 / CTD9613-0 Overlock Seam Covering



§C, 1 Ref.No.	名稱 Description	針數 Number Of Needle		針距 Distance Of Needles			
		2 Needle/ 4.0	3 Needle/ 4.8	3 Needle/ 5.6	3 Needle/ 6.4		
1	針鉸組 Needle Plate Asm.	5226TP13400	5226TP13480	5226TP13560	5226TP13640		
2	壓腳組 Presser Foot Asm.	5226PF11400	5226PF11480	5226PF11560	5226PF11640		
3	主送布齒 Main Feed Dog	5226FD11480	5226FD11480	5226FD11560	5226FD11560		
4	副送布齒 Diff Feed Dog	5226DF13481	5226DF13481	5226DF13560	5226DF13560		
5	輔助送布齒 Aux Feed Dog	5226AF13480	5226AF13480	5226AF13560	5226AF13560		
9	送布齒組 Feed Dog Asm.	5226DG0006	5226DG0006	5226DG0003	5226DG0003		
13	針鉸 Needle Plate	5226TP13400A	5226TP13480A	5226TP13560A	5226TP13640A		
*15	針鉸組 Needle Plate Asm.			5226TP13563	5226TP13643		
*16	針鉸 Needle Plate			5226TP13563A	5226TP13643A		

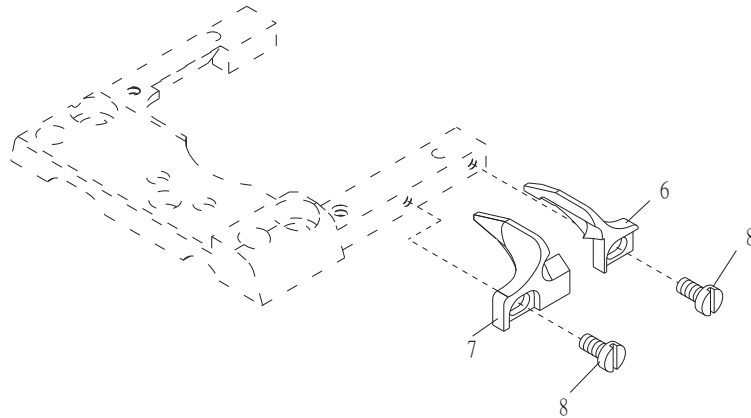
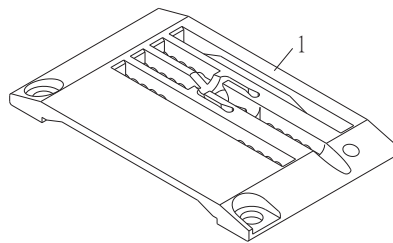
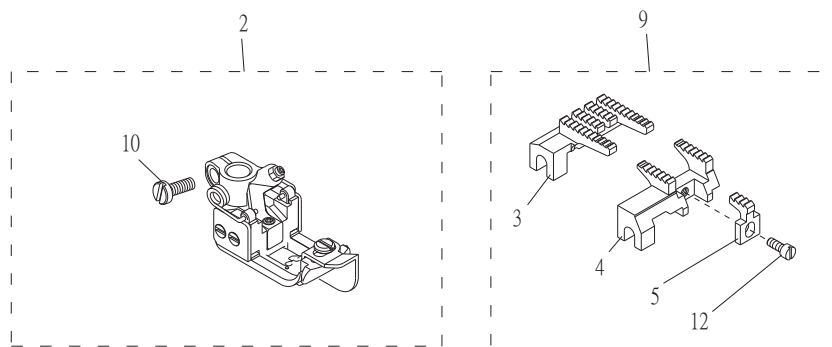
1. CT9613-0 / CTD9613-0 包縫骨壓縫用零件列表

Parts List For CT9613-0 / CTD9613-0 Overlock Seam Covering

序號	物料編號	名稱	單位用量
Ref. No.	Parts Number	Description	Amt. Req.
1	-----	針鉸組 Needle Plate Asm. (See left page) -----	1
2	-----	壓腳組 Presser Foot Asm. (See left page) -----	1
3	-----	主送布齒 Main Feed Dog (See left page) -----	1
4	-----	副送布齒 Diff Feed Dog (See left page) -----	1
5	-----	輔助送布齒 Aux Feed Dog (See left page) -----	1
6	2260130106	右導模 Fabric Guide (R)-----	1
7	2260130107	左導模 Fabric Guide (L)-----	1
8	8SB24560405A	螺絲 Screw (SH0413 3/32"-56*4) -----	1
9	-----	送布齒組 Feed Dog Asm. (See Left Page)-----	1
10	2260000211	擋片 Gefender -----	1
11	8MB75180505A	螺絲 Screw (CTS0218 M2.5-0.45*5) -----	2
12	8MB75180505A	螺絲 Screw (CTS0218 M2.5-0.45*5) -----	1
13	-----	針鉸 Needle Plate (See Left page) -----	1
14	8SB36400606A	螺絲 Screw (S10-07 9/64"-40*6)-----	1
*15	-----	針鉸組 Needle Plate Asm. (See left page) -----	1
*16	-----	針鉸 Needle Plate (See Left page) -----	1

* CT9613-0-H / CTD9613-0-H 機型用

2. CT9613-1 / CTD9613-1 包縫骨壓縫用零件列表
 Parts List For CT9613-1 / CTD9613-1 Overlock Seam Covering



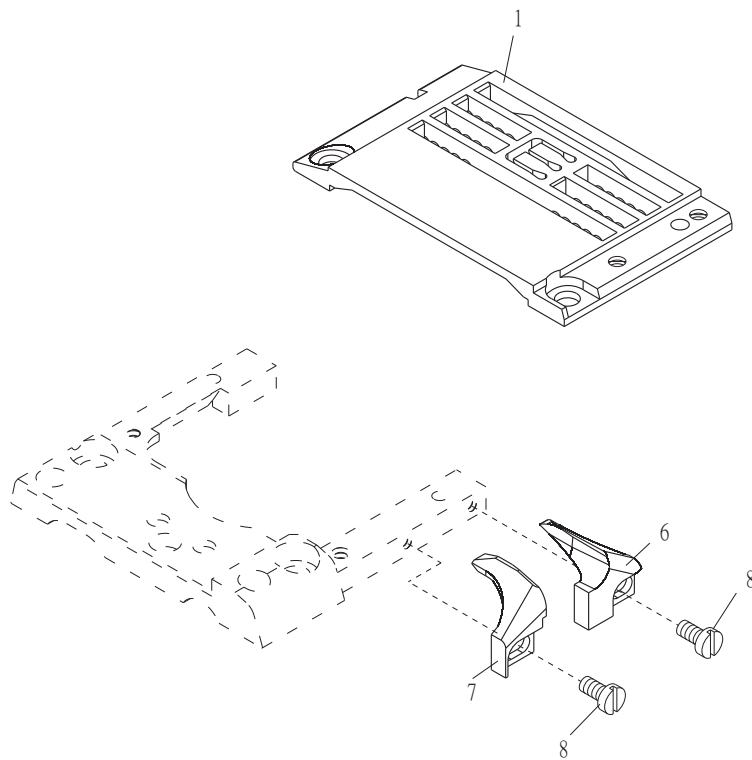
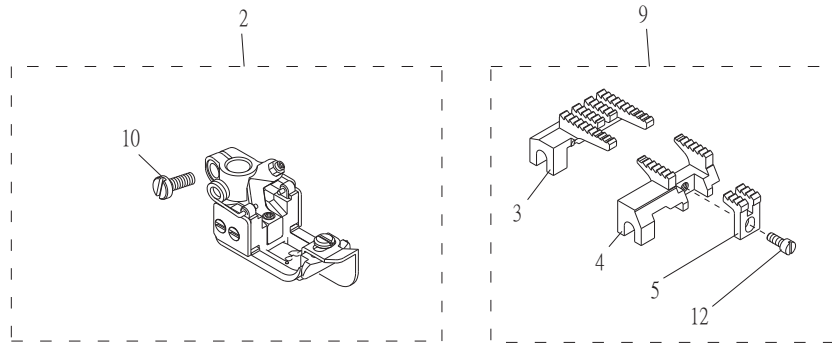
序號 Ref.No.	名稱 Description	針數 Number Of Needle		針距 Distance Of Needles			
		2 Needle/ 4.0	3 Needle/ 4.8	3 Needle/ 5.6	3 Needle/ 6.4		
1	針板 Needle Plate	5226TP13401	5226TP13481	5226TP13561			5226TP13641
2	壓腳組 Presser Foot Asm.	5226PF11400	5226PF11480	5226PF11560			5226PF11640
3	主送布齒 Main Feed Dog	5226FD11480	5226FD11480	5226FD11560			5226FD11560
4	副送布齒 Diff Feed Dog	5226DF13481	5226DF13481	5226DF13560			5226DF13560
5	輔助送布齒 Aux Feed Dog	5226AF13481	5226AF13481	5226AF13561			5226AF13561
9	送布齒組 Feed Dog Asm.	5226DG0004	5226DG0004	5226DG0005			5226DG0005

2. CT9613-1 / CTD9613-1 包縫骨壓縫用零件列表

Parts List For CT9613-1 / CTD9613-1 Overlock Seam Covering

序號	物料編號	名稱	單位用量
Ref. No.	Parts Number	Description	Amt. Req.
1	-----	針板組 Needle Plate Asm. (See left page) -----	1
2	-----	壓腳組 Presser Foot Asm. (See left page) -----	1
3	-----	主送布齒 Main Feed Dog (See left page) -----	1
4	-----	副送布齒 Diff Feed Dog (See left page) -----	1
5	-----	輔助送布齒 Aux Feed Dog (See left page) -----	1
6	2260130206	右導模 Fabric Guide (R)-----	1
7	2260130207	左導模 Fabric Guide (L)-----	1
8	8SB24560405A	螺絲 Screw (SH0413 3/32"-56*4) -----	1
9	-----	送布齒組 Feed Dog Asm. (See Left Page)-----	1
10	8SB36400606A	螺絲 Screw (S10-07 9/64"-40*6)-----	1
11	-----	-----	-
12	8MB75180505A	螺絲 Screw (CTS0218 M2.5-0.45*5) -----	1
13	-----	針板 Needle Plate (See Left page) -----	1

3. CT9613-2 / CTD9613-2 包縫骨壓縫用零件列表
 Parts List For CT9613-2 / CTD9613-2 Overlock Seam Covering



序號 Ref.No.	名稱 Description	針數 Number Of Needle / 針距 Distance Of Needles			
		2 Needle/ 4.0	3 Needle/ 4.8	3 Needle/ 5.6	3 Needle/ 6.4
1	針板 Needle Plate	5226TP13400A	5226TP13480A	5226TP13560A	5226TP13640A
2	壓腳組 Presser Foot Asm.	5226PF11400	5226PF11480	5226PF11560	5226PF11640
3	主送布齒 Main Feed Dog	5226FD11480	5226FD11480	5226FD11560	5226FD11560
4	副送布齒 Diff Feed Dog	5226DF13481	5226DF13481	5226DF13560	5226DF13560
5	輔助送布齒 Aux Feed Dog	5226AF13480	5226AF13480	5226AF13560	5226AF13560
9	送布齒組 Feed Dog Asm.	5226DG0006	5226DG0006	5226DG0003	5226DG0003

3. CT9613-2 / CTD9613-2 包縫骨壓縫用零件列表

Parts List For CT9613-2 / CTD9613-2 Overlock Seam Covering

序號	物料編號	名稱	單位用量
Ref. No.	Parts Number	Description	Amt. Req.
1	-----	針板 Needle Plate -----	1
2	-----	壓腳組 Presser Foot Asm. (See left page) -----	1
3	-----	主送布齒 Main Feed Dog (See left page) -----	1
4	-----	副送布齒 Diff Feed Dog (See left page) -----	1
5	-----	輔助送布齒 Aux Feed Dog (See left page) -----	1
6	2260130306	右導模 Fabric Guide (R)-----	1
7	2260130307	左導模 Fabric Guide (L)-----	1
8	8SB24560405A	螺絲 Screw (SH0413 3/32"-56*4) -----	1
9	-----	送布齒組 Feed Dog Asm. (See Left Page)-----	1
10	8SB36400606A	螺絲 Screw (S10-07 9/64"-40*6)-----	1
11	-----	-----	-
12	8MB75180505A	螺絲 Screw (CTS0218 M2.5-0.45*5) -----	1