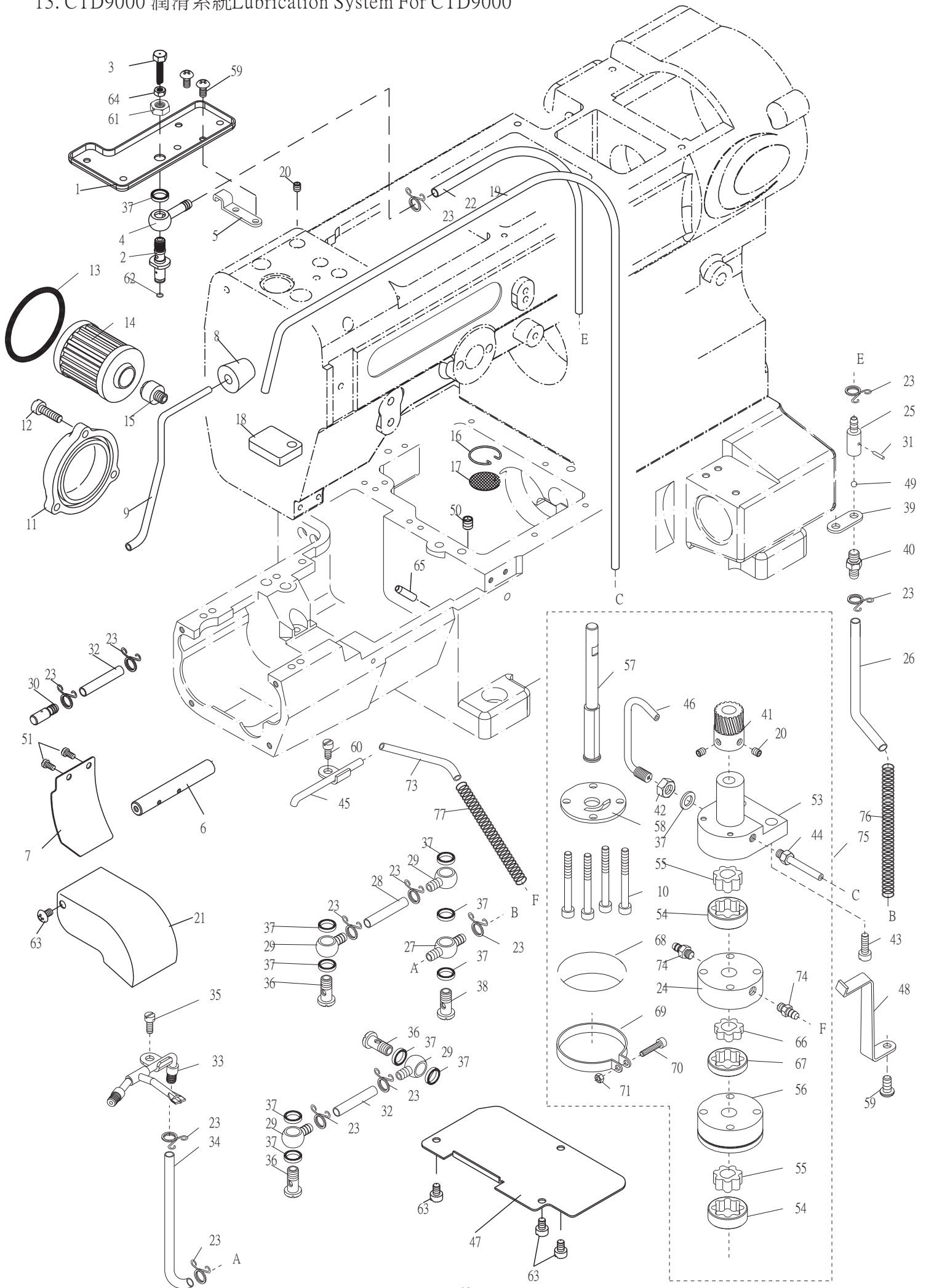


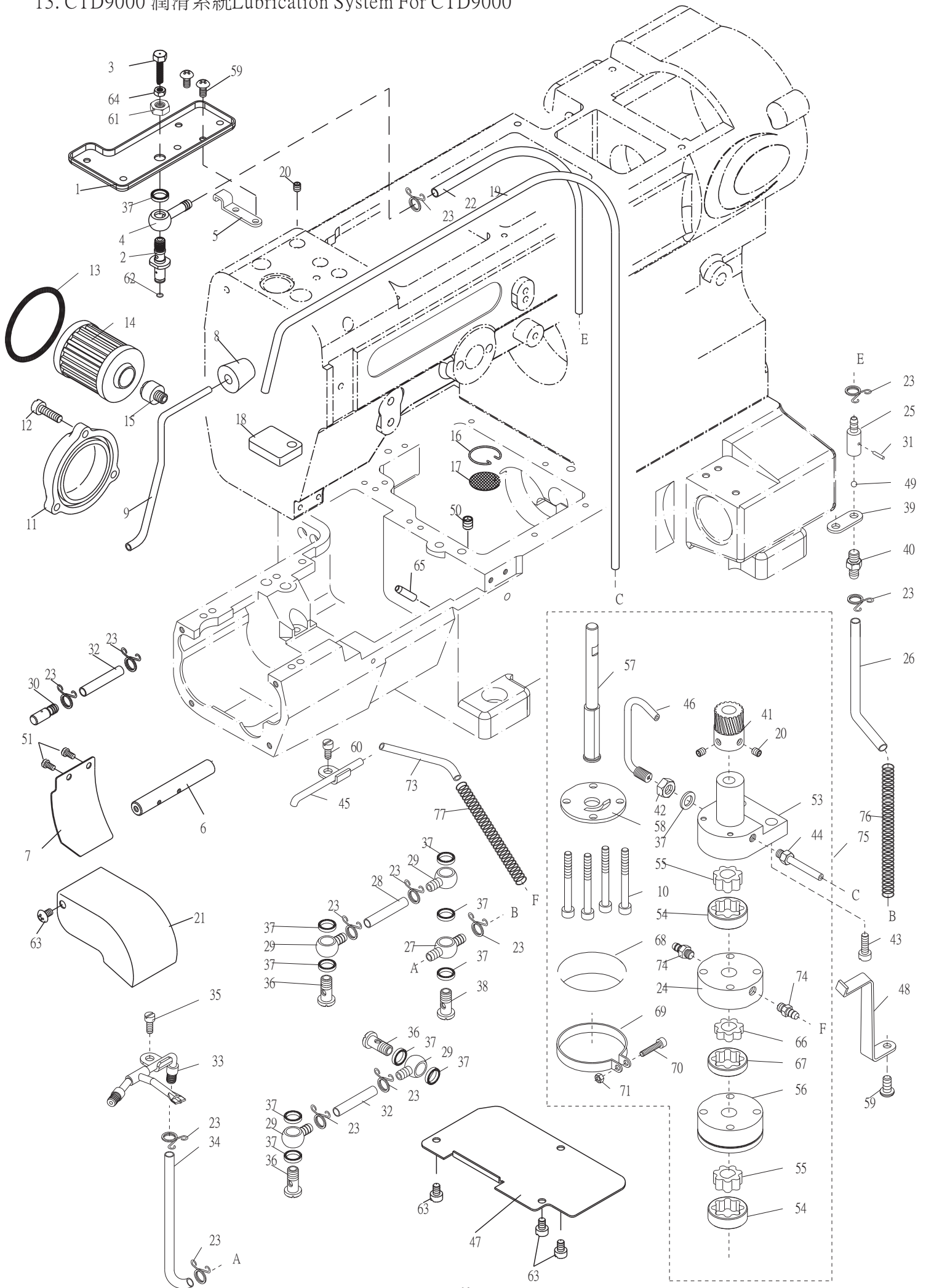
13. CTD9000 潤滑系統 Lubrication System For CTD9000



13. CTD9000 潤滑系統 Lubrication System For CTD9000

序號 Ref.No.	圖號 Parts No.	名稱 Description	單位用量 Amt .Req.
1	2240001301	承油盤 Oil Receiver -----	1
2	2240001302	油管 Oil Tube -----	1
3	2240001303	噴油嘴 Nozzle -----	1
4	2240001304	油管接頭 Oil Tube Joint -----	1
5	22400013051	檔片 Washer -----	1
6	2210001352	軸 Shaft -----	1
7	2210001353	防油蓋 Cover -----	1
8	2210001311	孔塞 Plug -----	1
9	2210001310	油線 Oil Tube -----	1
10	8MM04284007B	螺絲 Screw (CT1310 M4-0.7*40) -----	4
11	22000013111	封蓋 Oil Filter Cover -----	1
12	8MB04281207K	螺絲 Screw (CT0239 M4-0.7*12) -----	3
13	2200001313	O形油環 O Ring -----	1
14	2100001521	過濾器 Oil Filter -----	1
15	2200001315	過濾器接頭 Oil Filter Joint -----	1
16	2200001316	扣簧 Filter Screen Clamp -----	1
17	2200001317	網板 Filter Screen -----	1
18	2200001318	羊毛氈 Felt -----	1
19	66692	油管 Oil Tube -----	1
20	8MN04280400A	螺絲 Screw(CT0229 M4-0.7*4) -----	3
21	2210001354	防油蓋 Cover -----	1
22	66790	油管 Oil Tube -----	1
23	2100001536	夾簧 Latch Spring -----	12
24	2220001324	壓出泵 Rotor Case -----	1
25	2220001325	單向閥 One Way Valve -----	1
26	66790	油管 Oil Tube -----	1
27	2200001327	油管接頭 Oil Tube Joint -----	1
28	66790	油管 Oil Tube -----	1
29	2100001535	油管接頭 Oil Tube Joint -----	4
30	2200001330	噴油嘴 Nozzle -----	1
31	2220001331	銷 Pin -----	1
32	66790	油管 Oil Tube -----	2
33	22000013331	油管 Oil Tube -----	1
34	66790	油管 Oil Tube -----	1
35	8MB04280807K	螺絲 Screw (CT0215 M4-0.7*8) -----	1
36	2100001533	螺樁 Stud -----	3
37	2100001534	墊圈 Washer -----	11
38	2200001338	螺樁 Stud -----	1
39	2220001339	止回閥座 Bracket -----	1
40	2220001340	油嘴 Oil Tube Joint -----	1
41	2200001341	螺母 Worm Gear -----	1
42	8MA06400510A	螺帽 Nut (CT0533 M6-1*5) -----	1
43	8MM06402010A	螺絲 Screw (SH04-44 M6-1*20) -----	2
44	2200001344	油管 Oil Tube -----	1
45	2220001345	油管 Oil Tube -----	1
46	22200013461	噴油嘴 Nozzle -----	1
47	2220001347	隔板 Separate -----	1
48	2220001348	油管支持臂 Oil Tube Holder -----	1
49	2220001349	鋼珠 Steel ball -----	1
50	8MN06400500A	螺絲 Screw (CT0513 M6-1*5) -----	1

13. CTD9000 潤滑系統 Lubrication System For CTD9000



13. CTD9000 潤滑系統 Lubrication System For CTD9000

序號 Ref.No.	圖號 Parts No.	名稱 Description	單位用量 Amt .Req.
51	8MB03200506K	螺絲 Screw (CT0525 M3-0.5*5) -----	2
52	-----	-----	-
53	2220001353	回收泵 Pump Body -----	1
54	2200001354	外轉子 Outside Rotor -----	2
55	2200001355	內轉子 Inside Rotor -----	2
56	2200001356	壓出泵 Rotor Case -----	1
57	2220001357	軸 Shaft -----	1
58	2200001358	封蓋 Cover -----	1
59	8MC04280807D	螺絲 Screw (CT0130 M4-0.7*8) -----	3
60	8MB04280608A	螺絲 Screw (UTB0130 M4-0.7*6) -----	1
61	8MA06400510A	螺帽 Nut (CT0533 M6-1*5) -----	1
62	90OR030	油環 Oil Rin -----	1
63	8MC04280507D	螺絲 Screw (CT0122 M4-0.7*5) -----	4
64	8MA85240306B	螺帽 Nut (FT020112 M3.5-0.6*2.8) -----	1
65	2200001365	油管 Oil Tube -----	1
66	2220001366	內轉子 Inside Rotor -----	1
67	2220001367	外轉子 Outside Rotor -----	1
68	2220001368	油網 Oil Mesh -----	1
69	2220001369	夾簧 Latch Spring -----	1
70	8MB03201006A	螺絲 Screw (CT1204 M3-0.5*10) -----	1
71	8MA03200306A	螺帽 Nut(FTB0111 M3-0.5*3) -----	1
72	2220001372	羊毛氈 Felt -----	1
73	66792	油管 Oil Tube -----	1
74	2220001374	油嘴 Nozzle -----	2
75	227A0001375	泵組 Pump Asm -----	1
76	2270001377	彈簧 Spring -----	1
77	2270001378	彈簧 Spring -----	1