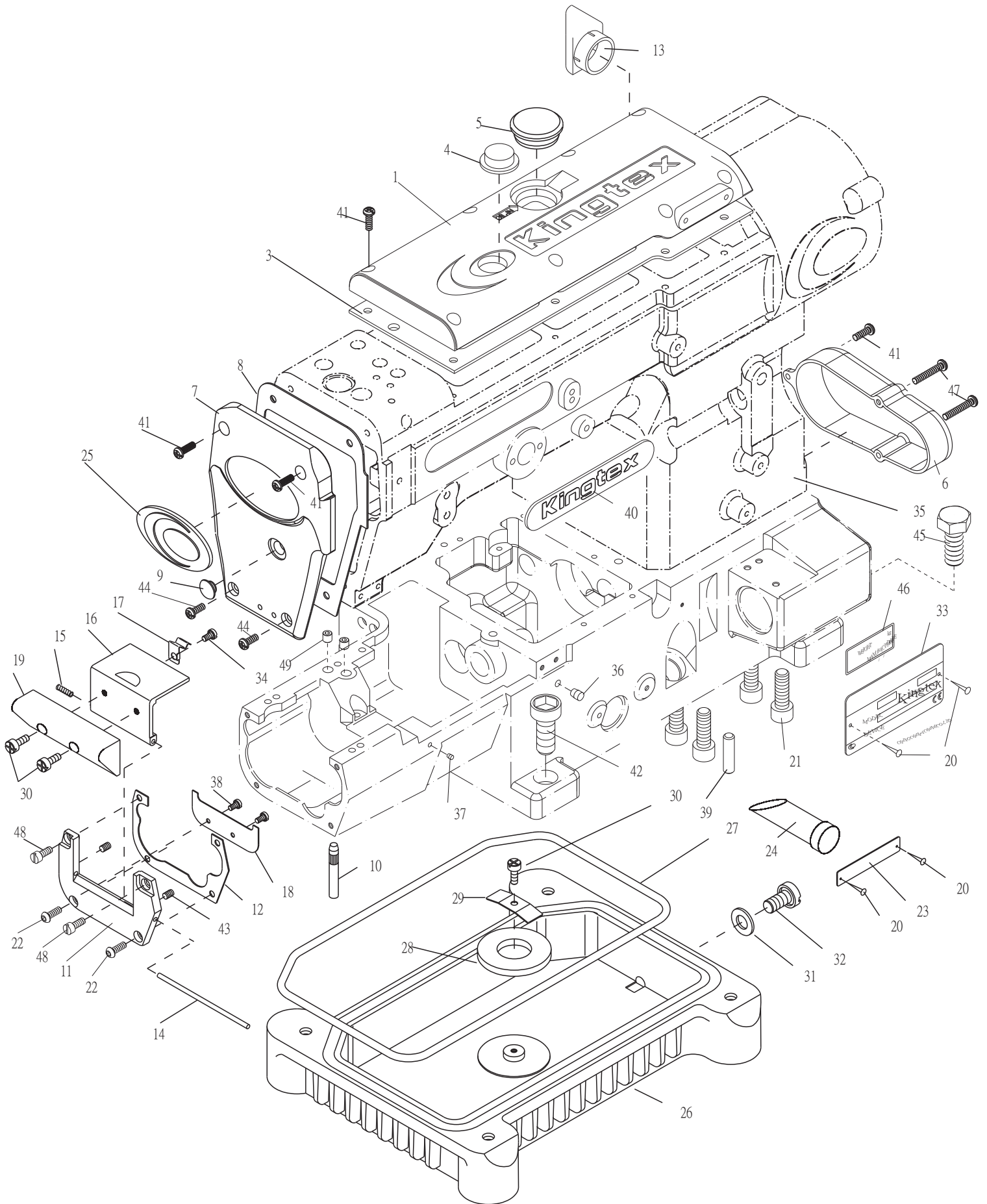


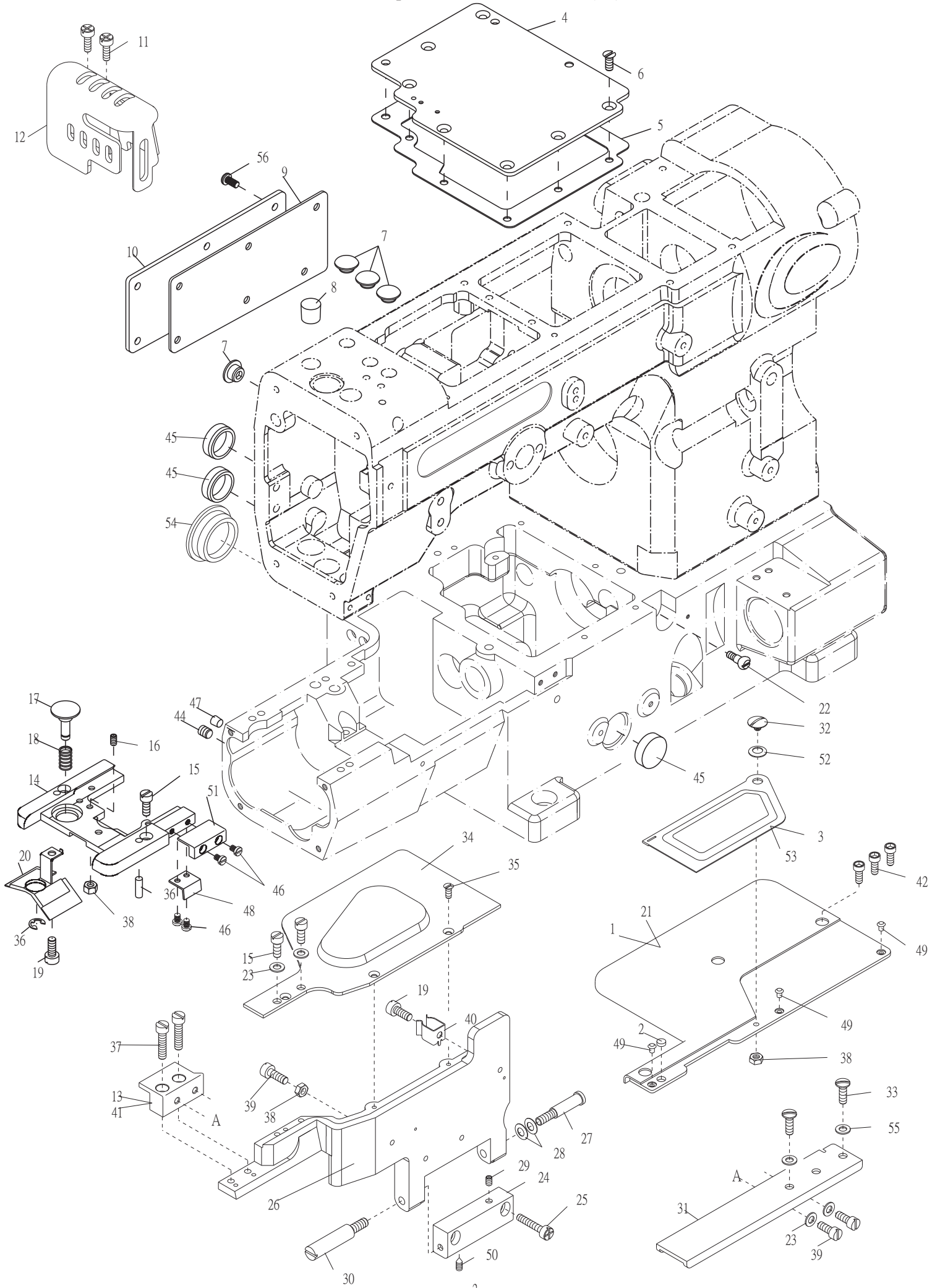
1. CTD9000 本體與外裝零件 Frame Components For CTD9000 (一)



1. CTD9000 本體與外裝零件Frame Components For CTD9000 (一)

| 序號 Ref.No. | 圖號 Parts No. | 名稱 Description | 單位用量 Amt .Req. |
|---------------|-----------------|-------------------------------------|-------------------|
| 1 | 22400001011 | 上軸蓋 Top Cover ----- | 1 |
| 2 | ----- | ----- | - |
| 3 | 22400001031 | 油封 Gasket ----- | 1 |
| 4 | 22400001041 | 油鏡 Oil Window ----- | 1 |
| 5 | 22200002552 | 孔塞 Plug ----- | 1 |
| 6 | 2240000106 | 側蓋 Side Cover ----- | 1 |
| 7 | 22400001071 | 針棒蓋 Needle Cover ----- | 1 |
| 8 | 2240000108 | 油封 Gasket ----- | 1 |
| 9 | 22000001091 | 孔塞 Plug ----- | 1 |
| 10 | 2200000110 | 下座腳樁 Supporting Bar ----- | 4 |
| 11 | 2220000111 | 固定座 Bucket ----- | 1 |
| 12 | 2220000112 | 油封 Gasket ----- | 1 |
| 13 | 22400001131 | 導風管 Guid Pipe----- | 1 |
| 14 | 2220000114 | 樞銷 Hinge Pin ----- | 1 |
| 15 | 2220000115 | 彈簧 Spring ----- | 1 |
| 16 | 2220000116 | 下軸側蓋 Side Cover ----- | 1 |
| 17 | 2220000117 | 夾簧 Latch Spring ----- | 1 |
| 18 | 2220000118 | 檔片 Defender ----- | 1 |
| 19 | 2220000119 | 下軸側蓋 Side Cover ----- | 1 |
| 20 | 66620 | 鉚釘 Rivet ----- | 4 |
| 21 | 8MM10603016A | 螺絲 Serew (CT0138 M10-1.5*30) ----- | 4 |
| 22 | 8MP85241006A | 螺絲 Serew (M3.5-0.6*10) ----- | 2 |
| 23 | 66480-14 | 機器號碼牌 Machine No. Plate ----- | 1 |
| 24 | 2220000124 | 油面鏡 Oil Sign Gauge----- | 1 |
| 25 | 66484-11 | 銘板 Plate ----- | 1 |
| 26 | 2220000126 | 油盤 Oil Reservoir ----- | 1 |
| 27 | 2200000127 | 油封 Gasket ----- | 1 |
| 28 | 2200000128 | 磁鐵 Magnet ----- | 1 |
| 29 | 2200000129 | 壓板 Holder ----- | 1 |
| 30 | 8MC04280807D | 螺絲 Screw (CT0130 M4-0.7*8) ----- | 3 |
| 31 | 2100000244 | 油封 Seal ----- | 1 |
| 32 | 8SM95281017A | 螺樁 Stud (SH0243 3/8"-28*10) ----- | 1 |
| 33 | 66485-1 | 車型銘板 Model Plate ----- | 1 |
| 34 | 8MK04280507A | 螺絲 Screw (WPC0106 M4-0.7*5) ----- | 1 |
| 35 | 2240000135 | 車頭 Frame Unit ----- | 1 |
| 36 | 2200000136 | 孔塞 Plug ----- | 1 |
| 37 | 2200000137 | 孔塞 Plug ----- | 1 |
| 38 | 8MB03200405A | 螺絲 Screw (FT0548 M3-0.5*4) ----- | 2 |
| 39 | 2200000139 | 定位銷 Knock Pin ----- | 2 |
| 40 | 66485-9 | 上車頭銘板 Plate ----- | 1 |
| 41 | 8MC04281207D | 螺絲 Screw (CT0102 M4-0.7*12) ----- | 11 |
| 42 | 8MM08502013A | 螺絲 Screw (CT0106 M8-1.25*20) ----- | 3 |
| 43 | 8MN03200300A | 螺絲 Screw (CT0115 M3-0.5*3) ----- | 2 |
| 44 | 8MC04281007D | 螺絲 Screw (CT0113 M4-0.7*10) ----- | 2 |
| 45 | 8MK08502013A | 螺絲 Screw (C90140 M8-1.25*20) ----- | 1 |
| 46 | 66477-4 | 重量貼紙 Weight Paster ----- | 1 |
| 47 | 8MC04283307D | 螺絲 Screw (C80147 M4-0.7*33) ----- | 2 |
| 48 | 8MB85241006K | 螺絲 Screw (CT0621 M3.5-0.6*10) ----- | 2 |
| 49 | 8MN06400600A | 螺絲 Screw (CT0918 M6-1*6) ----- | 2 |

2. CTD9000 本體與外裝零件 Frame Components For CTD9000 (二)



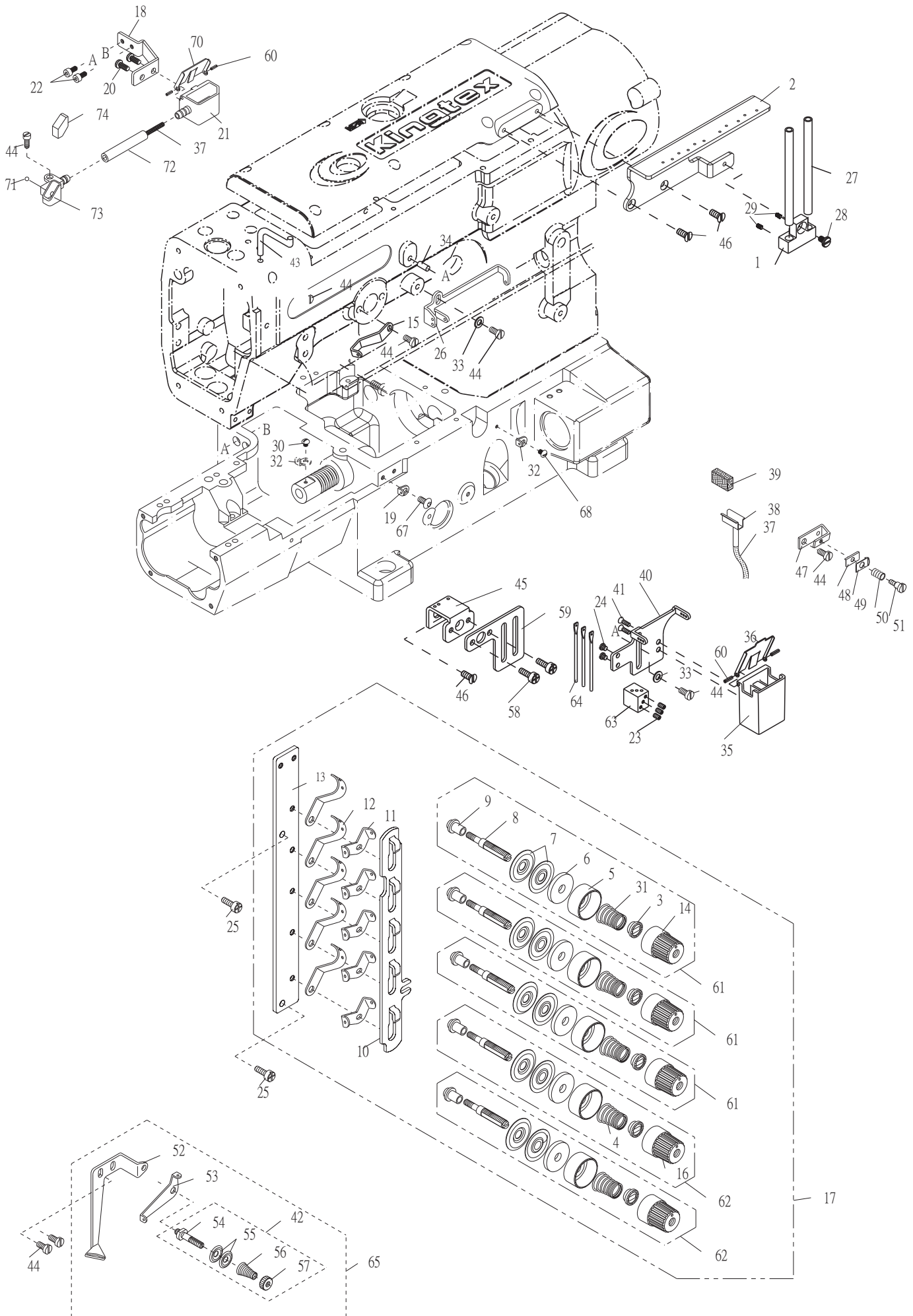
2. CTD9000 本體與外裝零件Frame Components For CTD9000 (二)

| 序號 Ref.No. | 圖號 Parts No. | 名稱 Description | 單位用量 Amt .Req. |
|---------------|-----------------|-----------------------------------|-------------------|
| *1 | 2270000201 | 下軸外蓋 Cloth Plate ----- | 1 |
| 2 | 2270000202 | 磁鐵 Magnet ----- | 1 |
| *3 | 2270000203 | 防塵蓋 Dust Cover ----- | 1 |
| 4 | 2270000204 | 下軸內蓋 Lower Shaft Cover ----- | 1 |
| 5 | 2220000205 | 防油墊片 Gasket ----- | 1 |
| 6 | 8ME04280708A | 螺絲Screw (CT0206 M4-0.7*7) ----- | 7 |
| 7 | 22000001091 | 孔塞 Plug ----- | 4 |
| 8 | 22000002081 | 孔塞 Plug ----- | 1 |
| 9 | 2200000209 | 油封 Gasket ----- | 1 |
| 10 | 2200000210 | 上軸背蓋 Rear Cover ----- | 1 |
| 11 | 8MC04280807D | 螺絲Screw (CT0130 M4-0.7*8)----- | 2 |
| 12 | 2270000212 | 針棒護蓋 Needle Bar Protector ----- | 1 |
| *13 | 2270000213 | 下座前蓋活動塊 Movable Block ----- | 1 |
| 14 | 2220000214 | 針板座 Needle Plate Seat ----- | 1 |
| 15 | 8MB04280807K | 螺絲 Screw (CT0215 M4-0.7*8) ----- | 4 |
| 16 | 8MN04281000A | 螺絲 Screw (CT0216 M4-0.7*10) ----- | 1 |
| 17 | 2220000217 | 按鈕 Push Button ----- | 1 |
| 18 | 2200000218 | 彈簧 Spring ----- | 1 |
| 19 | 8MC04280507D | 螺絲 Screw (CT0122 M4-0.7*5) ----- | 2 |
| 20 | 2220000220 | 油封 Oil Defender ----- | 1 |
| **21 | 2270000221 | 下軸外蓋 Cloth Plate ----- | 1 |
| 22 | 8MD04281408C | 螺樁 Stud (CT0222 M4-0.7*5) ----- | 1 |
| 23 | 2100000223 | 墊圈 Washer ----- | 4 |
| 24 | 2200000224 | 絞鏈 Hinge ----- | 1 |
| 25 | 8MC04281407D | 螺絲 Screw (CT0225 M4-0.7*14) ----- | 2 |
| 26 | 2270000226 | 下座前蓋 Front Cover ----- | 1 |
| 27 | 8MB04283809E | 螺樁Stud (CT0227 M4-0.7*38) ----- | 1 |
| 28 | 2200000228 | 孟形墊圈 Disk Washer ----- | 2 |
| 29 | 8MN04280400A | 螺絲 Screw (CT0229 M4-0.7*4) ----- | 1 |
| 30 | 8MB04280605M | 螺樁 Stud (CT0230 M4-0.7*6) ----- | 1 |
| 31 | 2200000231 | 輔助緣板 Auxiliary Cloth Plate ----- | 1 |
| 32 | 8MC04280512B | 螺絲 Screw (C90232 M4-0.7*5) ----- | 1 |
| 33 | 8MB05321008K | 螺絲 Screw (CT0233 M5-0.8*10) ----- | 2 |
| 34 | 2270000234 | 護線蓋 Cloth Plate ----- | 1 |
| 35 | 8ME03200606A | 螺絲 Screw (CT0235 M3-0.5*6) ----- | 3 |
| 36 | 90ST0410 | 定位銷 Knock Pin ----- | 2 |
| 37 | 8MC04281407D | 螺絲 Screw (CT0225 M4-0.7*14) ----- | 2 |
| 38 | 8MA04280307A | 螺帽 Nut (CT0238 M4-0.7*3) ----- | 3 |
| 39 | 8MB04281207K | 螺絲 Screw (CT0239 M4-0.7*12) ----- | 3 |
| 40 | 2200000121 | 夾簧 Latch Spring ----- | 1 |
| **41 | 2270000241 | 下座前蓋活動塊 Movable Block ----- | 1 |
| 42 | 8MM04281207A | 螺絲 Screw (CT0202 M4-0.7*12) ----- | 3 |
| 43 | 90ER040 | E形扣環 E-Ring ----- | 1 |
| 44 | 8MN06400600A | 螺絲 Screw (CT0244 M6-1*6) ----- | 2 |
| 45 | 22000002451 | 孔塞 Plug ----- | 3 |
| 46 | 8MB03200405A | 螺絲 Screw (FT0548 M3-0.5*4) ----- | 4 |
| 47 | 22000002471 | 孔塞 Plug ----- | 2 |
| 48 | 2200000250 | 擋片 Defender ----- | 1 |
| 49 | 22100001191 | 減震橡膠 Rubber Cushion ----- | 3 |
| 50 | 8MN04280500C | 螺絲 Screw (FT1222 M4-0.7*5) ----- | 1 |
| 51 | 2220000257 | 擋片 Defender ----- | 1 |
| 52 | 2200000124 | 孟形墊圈 Disc Washer ----- | 1 |
| **53 | 2270000253 | 防塵蓋 Dust Cover ----- | 1 |
| 54 | 22000002461 | 孔塞 Plug ----- | 1 |
| 55 | 2200001025 | 墊圈 Washer ----- | 2 |
| 56 | 8MC04281007D | 螺絲 Screw (CT0113 M4-0.7*10) ----- | 6 |

* : 40M,48M,56M用 For 40M, 48M,56M

** : 64M用For 64M

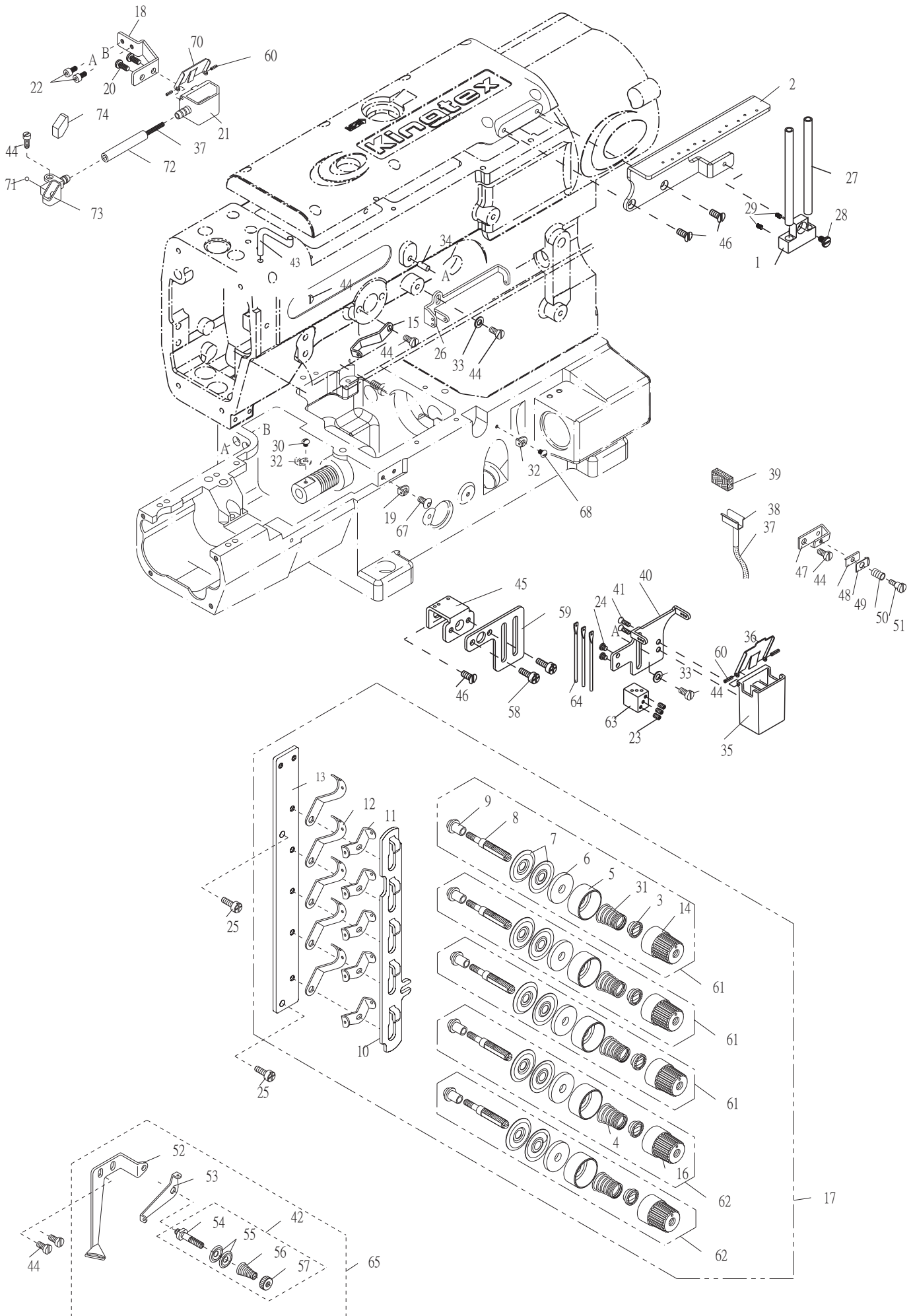
3. CTD9000 導針與張力調整零件 Thread Guide And Tension Components For CTD9000



3. CTD9000 導針與張力調整零件 Thread Guide And Tension Components For CTD9000

| 序號 Ref.No. | 圖號 Parts No. | 名稱 Description | 單位用量 Amt .Req. |
|---------------|-----------------|--|-------------------|
| 1 | 2240000301 | 導線座 Thread Guide Holder ----- | 1 |
| 2 | 22400003021 | 導線座 Thread Guide Holder ----- | 1 |
| 3 | 2200000303 | 套管 Bushing ----- | 5 |
| 4 | 2100041131 | 彈簧 Spring (Yellow) (SH1131)----- | 2 |
| 5 | 2200000305 | 彈簧座 Spring Seat ----- | 5 |
| 6 | 2100001127 | 羊毛氈 Felt ----- | 5 |
| 7 | 2100001126 | 張力控制盤 Tension Disc ----- | 10 |
| 8 | 22000003081 | 螺樁 Stud ----- | 5 |
| 9 | 22000003091 | 隔環 Spacer ----- | 5 |
| 10 | 4UTB000419 | 鬆線滑板 Release Wedge ----- | 1 |
| 11 | 2200000311 | 導線 Thread Guide ----- | 5 |
| 12 | 2200000312 | 導線 Thread Guide ----- | 5 |
| 13 | 4UTB000420 | 張力控制組座 Tension Post Support ----- | 1 |
| 14 | 2100001121 | 張力調整螺帽 Tension Nut (Red) (SH1121)----- | 3 |
| 15 | 2210000317 | 導線 Thread Guide ----- | 1 |
| 16 | 2100001121A | 張力調整螺帽 Tension Nut (Yellow) (Sh1121)----- | 2 |
| 17 | 224A0000317 | 鬆線組 Therad Tension Mechanism ----- | 1 |
| 18 | 2270000318 | 支架 Knife Holder Bracket ----- | 1 |
| 19 | 2270000319 | 導線 Thread Guide ----- | 1 |
| 20 | 8TC85520806A | 螺絲 Screw ----- | 2 |
| 21 | 22000007261 | 冷卻油槽 Cooler Oil Tank ----- | 1 |
| 22 | 8MM04280807A | 螺絲 Screw (MT0124 M4-0.7*8) ----- | 2 |
| 23 | 8MN03200300A | 螺絲 Screw (CT0115 M3-0.5*3) ----- | 3 |
| 24 | 8MB03200405A | 螺絲 Screw (FT0548 M3-0.5*4) ----- | 2 |
| 25 | 8MC04280807D | 螺絲 Screw (CT0130 M4-0.7*8) ----- | 2 |
| 26 | 2210000326 | 導線 Thread Guide ----- | 1 |
| 27 | 2200000327 | 導線管 Thread Guide Pipe ----- | 2 |
| 28 | 8MB04280608A | 螺絲 Screw (UTB0130 M4-0.7*6) ----- | 1 |
| 29 | 8MN03200300A | 螺絲 Screw (CT0115 M3-0.5*3) ----- | 2 |
| 30 | 8MD03200306A | 螺絲 Screw (CT0242 M3-0.5*3) ----- | 1 |
| 31 | 2100001123 | 彈簧 Spring (Red) (Sh1123)----- | 3 |
| 32 | 2200001008 | 導線 Thread Guide ----- | 2 |
| 33 | 2100000223 | 墊圈 Washer ----- | 2 |
| 34 | 90ST0410 | 定位銷 Knock Pin ----- | 1 |
| 35 | 22000003351 | 油杯 Cooler Oil Tank ----- | 1 |
| 36 | 2200000336 | 油杯蓋 Cooler Oil Tank Cover ----- | 1 |
| 37 | 66800 | 油線 Oil Wick ----- | 2 |
| 38 | 2200000338 | 線夾 Wick Clamp ----- | 1 |
| 39 | 2200000339 | 羊毛氈 Felt ----- | 1 |
| 40 | 2220000340 | 導線 Thread Guide ----- | 1 |
| 41 | 8TE03440806A | 螺絲 Screw ----- | 2 |
| 42 | 227A0000342 | 張力控制組 Thread Retainer Asm ----- | 1 |
| 43 | 22000003431 | 導線 Thread Guide ----- | 1 |
| 44 | 8MB04280807K | 螺絲 Screw (CT0215 M4-0.7*8) ----- | 8 |
| 45 | 2200000345 | 導線 Thread Guide ----- | 1 |
| 46 | 8ME04280708A | 螺絲Screw (CT0206 M4-0.7*7) ----- | 3 |
| 47 | 2200000347 | 張力控制組座 Thread Retainer Support ----- | 1 |
| 48 | 2200000348 | 針線控制板 Thread Guide Plate ----- | 1 |
| 49 | 2200000349 | 針線控制壓板 Tension Control plate ----- | 1 |
| 50 | 22000003501 | 彈簧 Spring ----- | 1 |

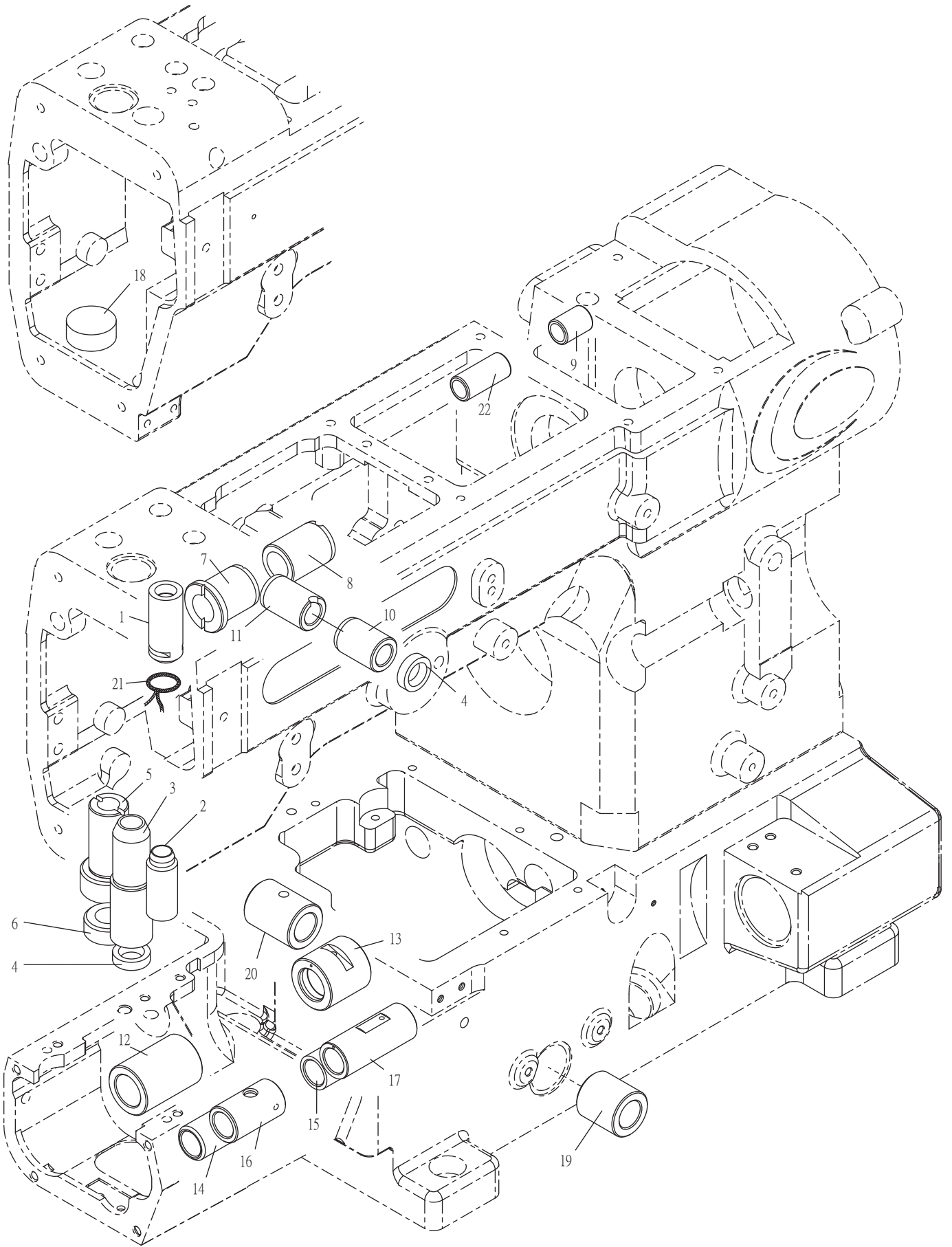
3. CTD9000 導針與張力調整零件 Thread Guide And Tension Components For CTD9000



3. CTD9000 導針與張力調整零件 Thread Guide And Tension Components For CTD9000

| 序號 Ref.No. | 圖號 Parts No. | 名稱 Description | 單位用量 Amt .Req. |
|---------------|-----------------|------------------------------------|-------------------|
| 51 | 8MC03200807G | 螺樁 Stud (CT0351 M3-0.5*8) ----- | 1 |
| 52 | 2200000352 | 導線 Thread Guide ----- | 1 |
| 53 | 2200000353 | 導線 Thread Guide ----- | 1 |
| 54 | 2200000354 | 螺樁 Stud ----- | 1 |
| 55 | 2200000355 | 張力控制盤 Tension Disc ----- | 2 |
| 56 | 2200000356 | 彈簧 Spring ----- | 1 |
| 57 | 2200000357 | 螺帽 Nut ----- | 1 |
| 58 | 8MC04280507D | 螺絲 Screw (CT0122 M4-0.7*5) ----- | 2 |
| 59 | 2200000359 | 揚線臂護線罩 Take-up Arm Protect ----- | 1 |
| 60 | 90SP0206T | 彈簧銷 Spring Pin ----- | 4 |
| 61 | 231A0001922 | 張力控制組 Thread Asm. (Red) ----- | 3 |
| 62 | 220A0000315 | 張力控制組 Thread Asm. (Yellow) ----- | 2 |
| 63 | 2220000363 | 導線桿座 Thread Guide Holder ----- | 1 |
| 64 | 2220000364 | 導線桿 Thread Guide ----- | 3 |
| 65 | 220A0000365 | 鬆線組 Therad Tension Mechanism ----- | 1 |
| 66 | ----- | ----- | - |
| 67 | 8MP04280808A | 螺絲 Screw (MT0235 M4-0.7*8) ----- | 1 |
| 68 | 8MD03200606A | 螺絲 Screw (FT0218 M4-0.7*10) ----- | 1 |
| 69 | ----- | ----- | - |
| 70 | 2200000725 | 冷卻油槽蓋 Cooler Oil Tank Cover ----- | 1 |
| 71 | 2100000403 | 孔塞 Plug ----- | 1 |
| 72 | 2200000729 | 油管 Oil Tube ----- | 1 |
| 73 | 22000007311 | 羊毛氈承座 Felt Seat ----- | 1 |
| 74 | 2200000732 | 羊毛氈 Felt ----- | 1 |

4. CTD9000 軸襯與油封 Bushing And Seal For CTD9000



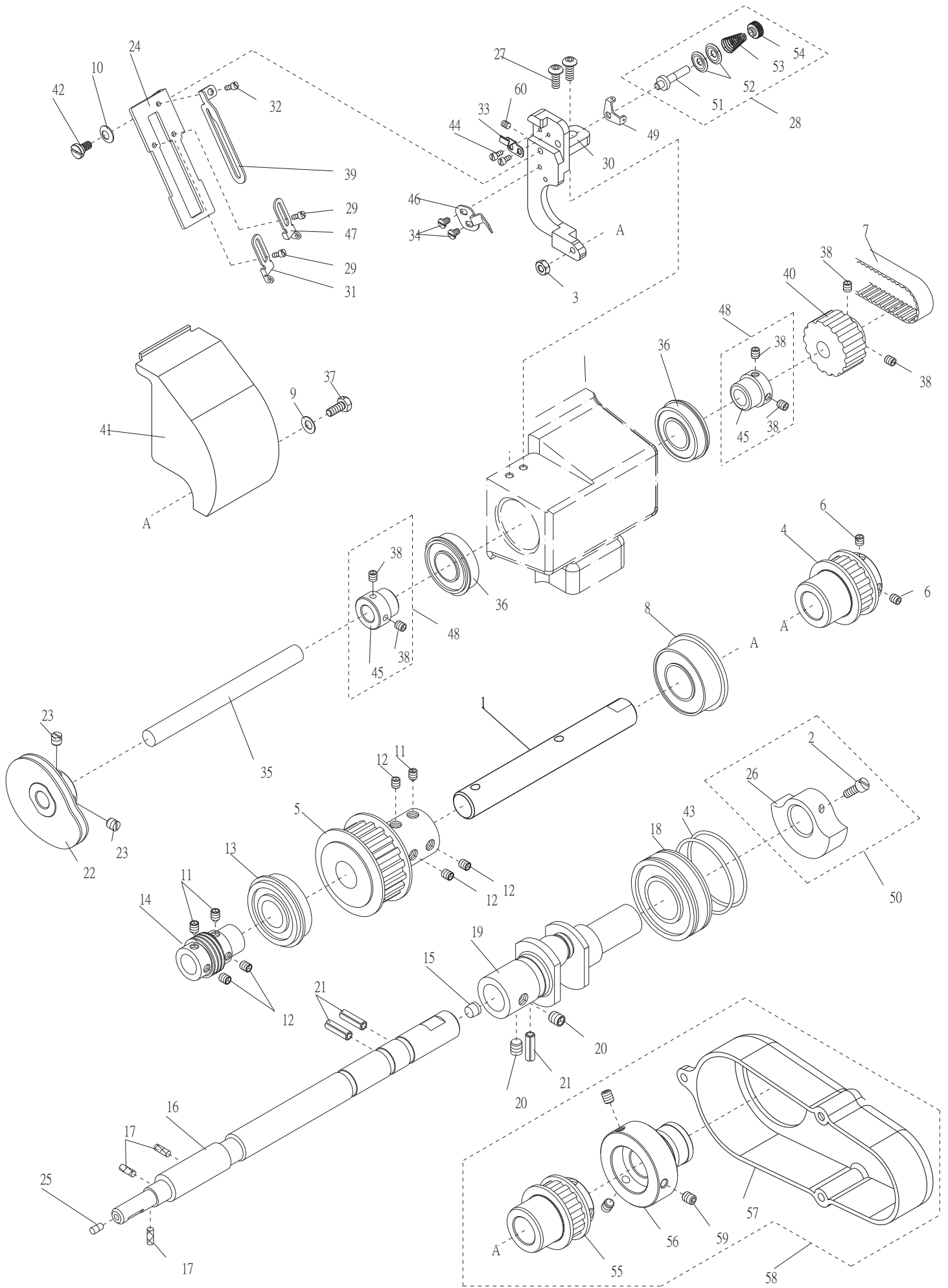
4. CTD9000 軸襯與油封Bushing And Seal For CTD9000

| 序號 Ref.No. | 圖號 Parts No. | 名稱 Description | 單位用量 Amt .Req. |
|---------------|-----------------|-------------------|-------------------|
| 1 | 2210000401 | 軸襯 Bushing ----- | 1 |
| 2 | 2200000402 | 軸襯 Bushing ----- | 1 |
| 3 | 2200000403 | 軸襯 Bushing ----- | 1 |
| 4 | 2200000404 | 油封 Oil Seal ----- | 2 |
| *5 | 2220000405 | 軸襯 Bushing ----- | 1 |
| *6 | 2200000406 | 油封 Oil Seal ----- | 1 |
| *7 | 2210000408 | 軸襯 Bushing ----- | 1 |
| *8 | 2200000408 | 軸襯 Bushing ----- | 1 |
| 9 | 2240000409 | 軸襯 Bushing ----- | 1 |
| 10 | 2200000410 | 軸襯 Bushing ----- | 1 |
| 11 | 2200000411 | 軸襯 Bushing ----- | 1 |
| 12 | 2200000412 | 軸襯 Bushing ----- | 1 |
| 13 | 2200000413 | 軸襯 Bushing ----- | 1 |
| 14 | 2200000414 | 軸襯 Bushing ----- | 1 |
| 15 | 2200000415 | 軸襯 Bushing ----- | 1 |
| 16 | 2200000416 | 軸襯 Bushing ----- | 1 |
| 17 | 2200000417 | 軸襯 Bushing ----- | 1 |
| **18 | 2200000422 | 孔塞 Plug ----- | 1 |
| 19 | 2200000419 | 軸襯 Bushing ----- | 1 |
| 20 | 2200000420 | 軸襯 Bushing ----- | 1 |
| 21 | 66800 | 油線 Oil Wick ----- | 1 |
| 22 | 2240000422 | 軸襯 Bushing ----- | 1 |

*具有上飾線With top cover thread

**不具有上飾線Without top cover thread

5. CTD9000 下軸與相關零件 Lower Main Shaft Components For CTD9000



5. CTD9000 下軸與相關零件 Lower Main Shaft Components For CTD9000

| 序號 Ref.No. | 圖號 Parts No. | 名稱 Description | 單位用量 Amt .Req. |
|---------------|-----------------|---------------------------------------|-------------------|
| 1 | 22400005011 | 軸 Shaft ----- | 1 |
| 2 | 8MB04280807K | 螺絲 Screw (CT0215 M4-0.7*8) ----- | 2 |
| 3 | 8MA04280307A | 螺帽 Nut (CT0238 M4-0.7*3) ----- | 1 |
| 4 | 2220000504 | 齒形皮帶輪 Timeing Pulley ----- | 1 |
| 5 | 2240000505 | 齒形皮帶輪 Timeing Pulley ----- | 1 |
| 6 | 8MN05320500E | 螺絲 Screw (CT0903 M5-0.8*5) ----- | 2 |
| 7 | 90TB2853GT | 齒形皮帶 Timeing Belt ----- | 1 |
| 8 | 90BB2552154 | 滾珠軸承 Ball Bearing ----- | 1 |
| 9 | 90DW040 | 碟形墊圈 Disk Washer ----- | 1 |
| 10 | 2200000228 | 碟形墊圈 Disk Washer ----- | 1 |
| 11 | 8MN06400800C | 螺絲 Screw (CT0502 M6-1*8) ----- | 3 |
| 12 | 8MN06400600A | 螺絲 Screw (CT0244 M6-1*6) ----- | 5 |
| 13 | 90BB2047144 | 滾珠軸承 Ball Bearing ----- | 1 |
| 14 | 2200000508 | 蝸桿 Warm ----- | 1 |
| 15 | 2200000515 | 孔塞 Plug ----- | 1 |
| 16 | 2200000516 | 軸 Shaft ----- | 1 |
| 17 | 66801 | 油線 Oil Wick ----- | 3 |
| 18 | 90BB2042122 | 滾珠軸承 Ball Bearing ----- | 1 |
| 19 | 2200000512 | 曲軸 Crank Shaft ----- | 1 |
| 20 | 8MN06400500A | 螺絲 Screw (CT0513 M6-1*5) ----- | 2 |
| 21 | 90SP0206 | 彈簧銷 Pin ----- | 3 |
| 22 | 2270000522 | 揚線凸輪 Looper Thread Takeup Cam ----- | 1 |
| 23 | 8MH05320400A | 螺絲 Screw (CT0523 M5-0.8*4) ----- | 2 |
| 24 | 2270000524 | 導線固定板 Thread Guide Seat ----- | 1 |
| 25 | 2200000550 | 孔塞 Plug ----- | 1 |
| 26 | 2200000509 | 平衡錘 Balance Weight ----- | 1 |
| 27 | 8MP04281008A | 螺絲 Screw (MT0250 M4-0.7*10) ----- | 2 |
| 28 | 227A0000342 | 張力控制組 Thread Retainer Asm ----- | 1 |
| 29 | 8MB75180505A | 螺絲 Screw (CTS0218 M2.5-0.45*5) ----- | 2 |
| 30 | 22700005301 | 固定座 Bracket ----- | 1 |
| 31 | 2220000548 | 導線 Thread Guide ----- | 1 |
| 32 | 8MB03200306A | 螺絲 Screw (FT0208 M3-0.5*3) ----- | 1 |
| 33 | 22700005331 | 夾簧 Latch Spring ----- | 1 |
| 34 | 8MB03200405A | 螺絲 Screw (FT0548 M3-0.5*4) ----- | 2 |
| 35 | 2270000535 | 軸 Shaft ----- | 1 |
| 36 | 90BB152807 | 滾珠軸承 Ball Bearing ----- | 2 |
| 37 | 8MK04281007A | 螺絲 Screw (FT0217 M4-0.7*10) ----- | 1 |
| 38 | 8MN04280400A | 螺絲 Screw (CT0229 M4-0.7*4) ----- | 6 |
| 39 | 2270000539 | 導線 Thread Guide ----- | 1 |
| 40 | 2220000540 | 齒形皮帶輪 Timeing Pulley ----- | 1 |
| 41 | 22700005411 | 凸輪護蓋 ----- | 1 |
| 42 | 8MB04281008G | 螺絲 Screw (C90542 M4-0.7*6.2) ----- | 1 |
| 43 | 2200000547 | O形油環 O Ring ----- | 2 |
| 44 | 8MB75180405A | 螺絲 Screw (CT0529 M2.5-0.45*3.5) ----- | 2 |
| 45 | 2270000545 | 套管接頭 Joint ----- | 1 |
| 46 | 2220000550 | 夾簧 Latch Spring ----- | 1 |
| 47 | 2220000547 | 導線 Thread Guide ----- | 1 |
| 48 | 227A0000552 | 套管接頭組 Joint Asm ----- | 1 |
| 49 | 2270000317 | 導線 Thread Guide ----- | 1 |
| 50 | 222A0000647 | 平衡錘組 Balance Weight Asm ----- | 1 |
| 51 | 2200000354 | 螺樁 Stud ----- | 1 |
| 52 | 2200000355 | 張力控制盤 Tension Disc ----- | 2 |
| 53 | 2200000356 | 彈簧 Spring ----- | 1 |
| 54 | 2200000357 | 螺帽 Nut ----- | 1 |
| 55 | 2240000555 | 齒形皮帶輪 Timeing Pulley ----- | 1 |
| 56 | 2240000556 | 套管 Joint ----- | 1 |
| 57 | 2240000557 | 側蓋 Side Cover ----- | 1 |
| *58 | 224A0000558 | 套管接頭組 Joint Asm ----- | 1 |
| *59 | 8MN05320600A | 螺絲 Screw (MT0729 M5-0.8*6) ----- | 3 |
| 60 | 8MN03200500A | 螺絲 Screw (STB-01-16 M3-0.5*5) ----- | 1 |

*特註品 Custom-made Item