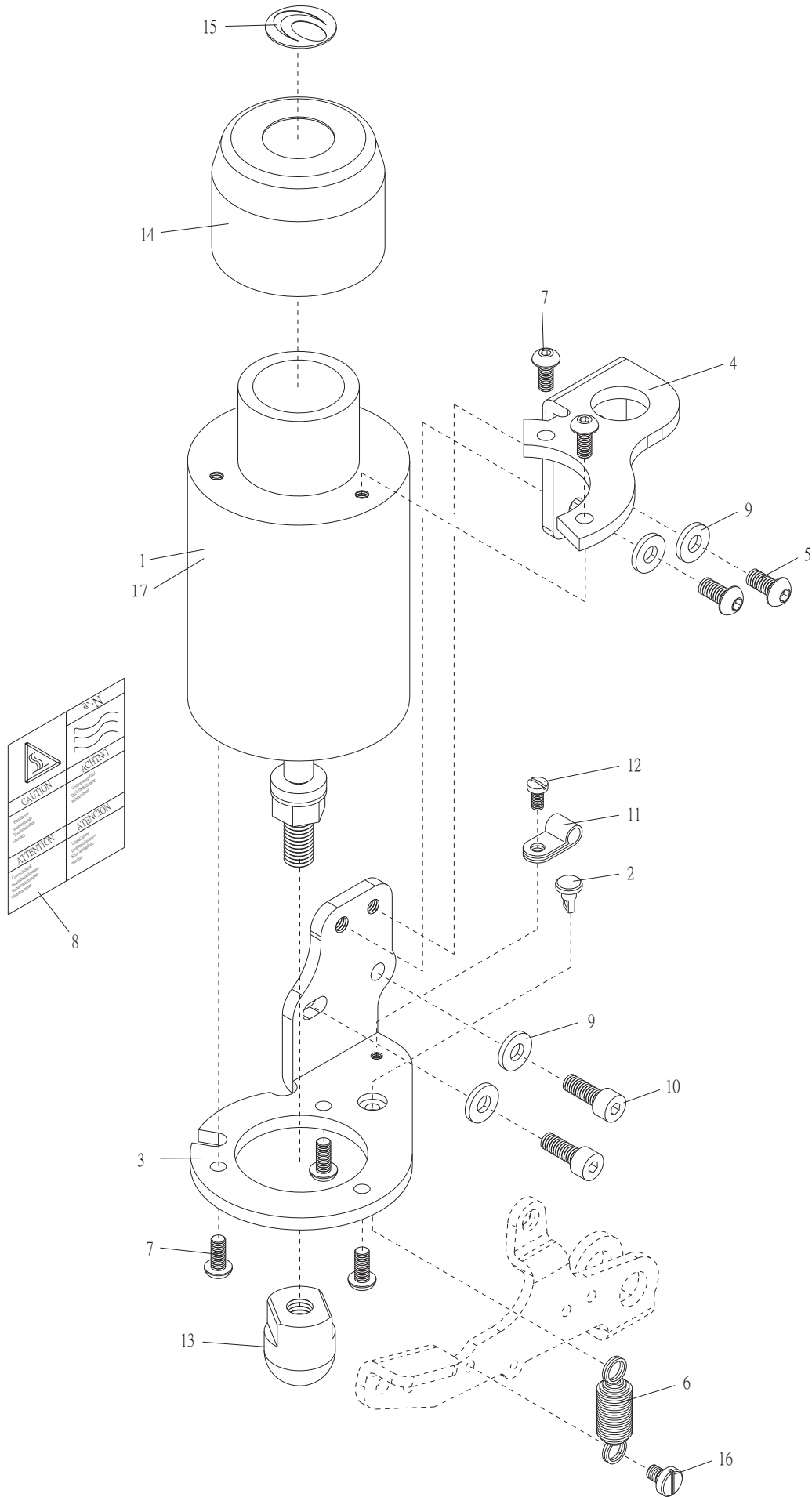


PFE02 壓腳提昇裝置 PFE02 Presser Foot Lifter



PFE02 壓腳提昇裝置 PFE02 Presser Foot Lifter

序號	物料編號	名稱	單位用量
Ref. No.	Parts Number	Description	Amt. Req.
1	4PFE010101	磁力線圈 Presser Foot Lifter Solenoid -----	1
2	4PFE020102	接頭 Joint -----	1
3	4PFE020103	固定座 Bracket -----	1
4	4PFE020104	固定座 Bracket -----	1
5	8MP06401211A	螺絲 Screw (UTB0302 M6-1*12) -----	2
6	4PFE010106	彈簧 Spring -----	1
7	8MP05321210A	螺絲 Screw (UTB0340 M5-0.8*11) -----	5
8	4UTC000139	貼紙 Paster -----	1
9	2100000323	墊圈 Washer (SH0323) -----	4
10	8MM06401610A	螺絲 Screw (CT0625 M6-1*16) -----	2
11	4UTD000254	線夾 Cord Clamp -----	1
12	8MC04280807A	螺絲 Screw (CT0120 M4-0.7*8) -----	1
13	4PFE010113	套管 Clutch Sleeve -----	1
14	4PFE010119	護蓋 Cover -----	1
15	66480-11	銘板 Name Plate -----	1
16	8MB05320710G	螺絲 Screw (PFE020116 M5-0.8*7) -----	1
17	4PFE1P0121	磁力線圈 Presser Foot Lifter Solenoid -----	1

* PFE2P 用 (用於切線+RP之機型)