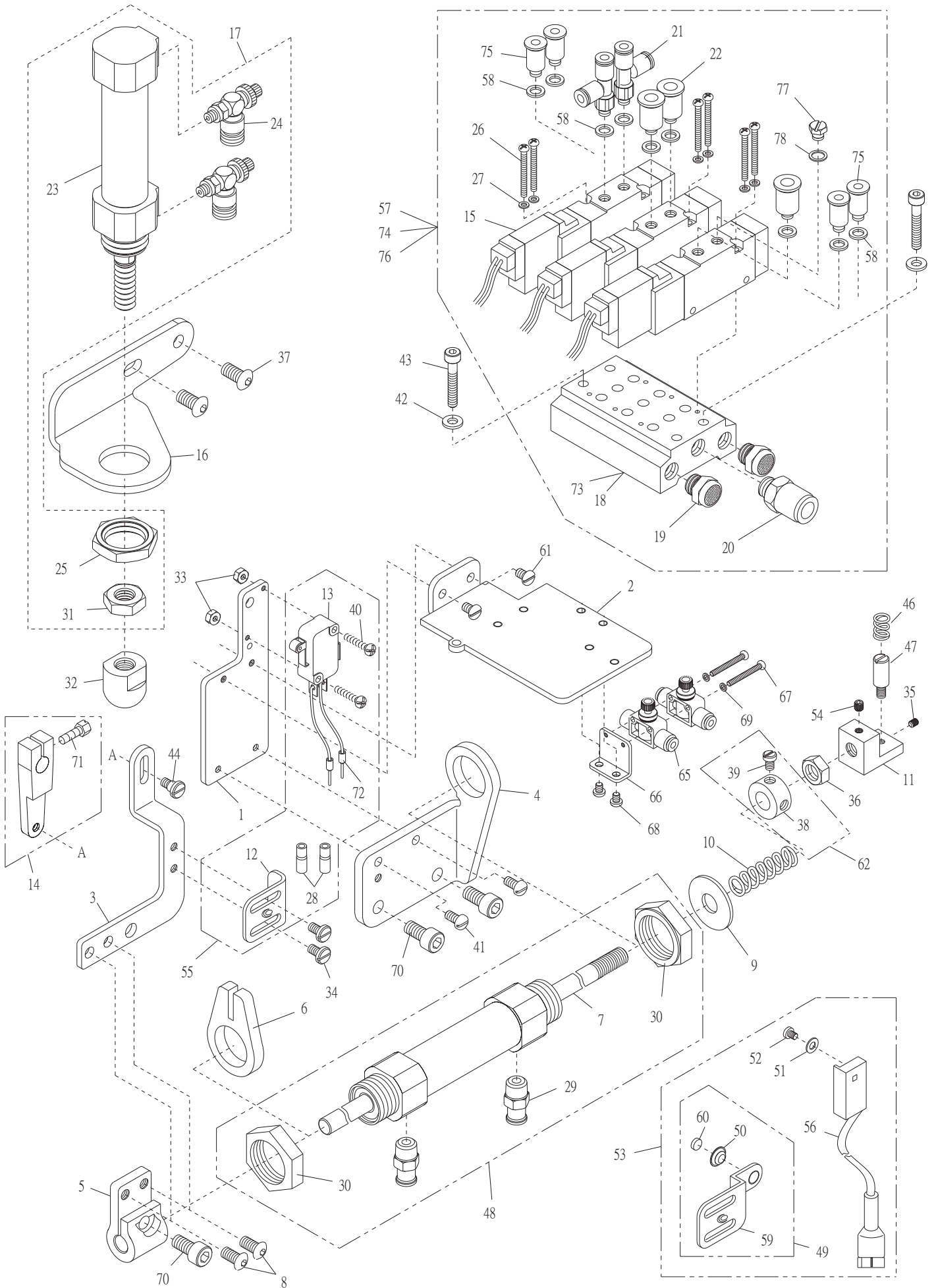


3. UTB03/UTB05/UTB07/UTB07B/UTG03/UTH03 空壓組件  
Compressed Air Components For UTB03/UTB05/UTB07/UTB07B/UTG03/UTH03

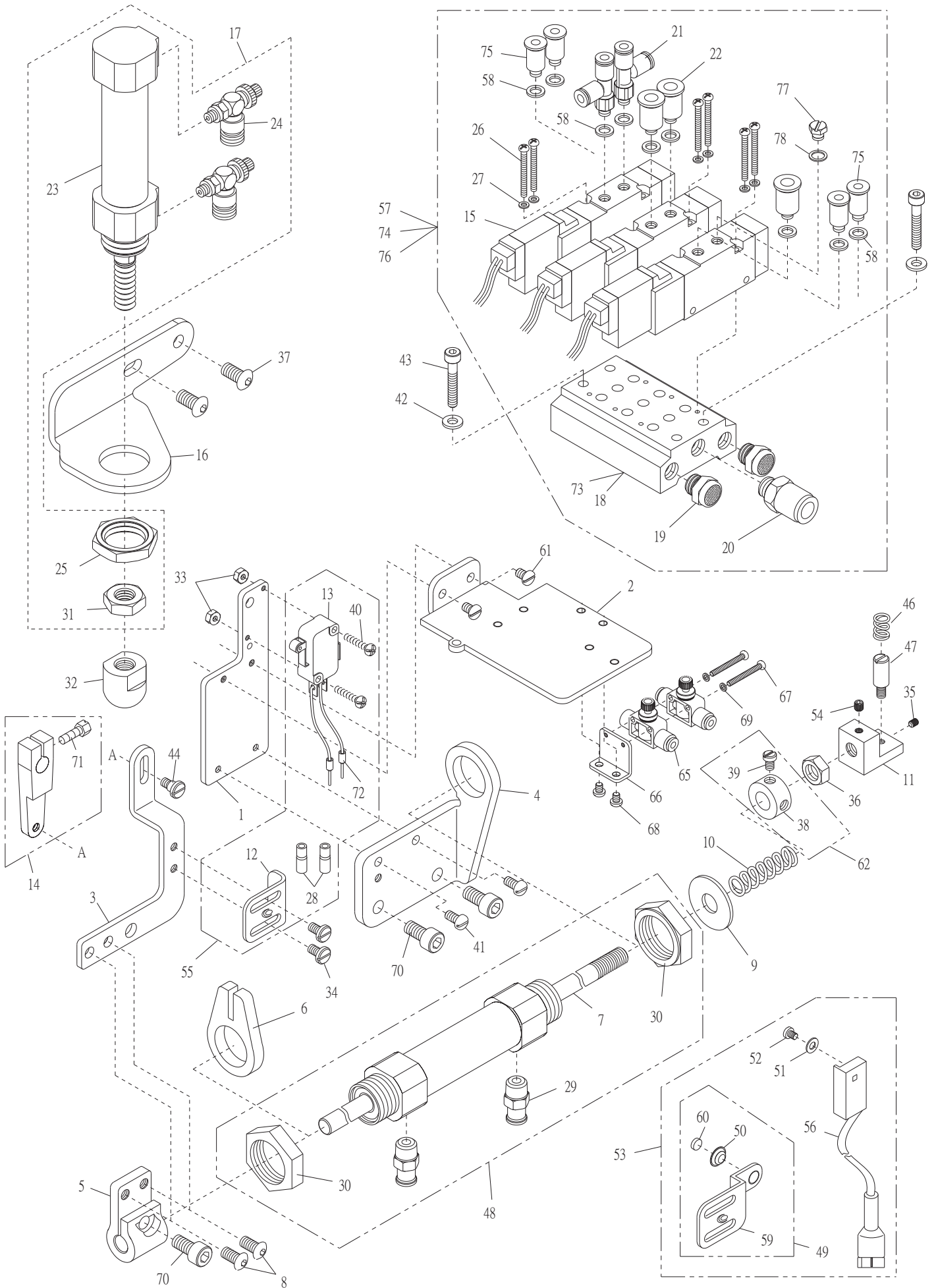


### 3. UTB03/UTB05/UTB07/UTB07B/UTG03/UTH03 空壓組件

#### Compressed Air Components For UTB03/UTB05/UTB07/UTB07B/UTG03/UTH03

序號 Ref.No.	圖號 Parts No.	名稱 Description	單位用量 Amt .Req.
1	4UTB0202011	安全開關座 Safety Switch Bracket -----	1
2	4UTG020102	基板 Base -----	1
3	4UTB020203	連桿 Connecting Plate -----	1
4	4UTB020204	氣缸座 Cyliner Bracket-----	1
5	4UTB020205	固定座 Bracket Holder-----	1
6	4UTB0202061	導軌 Yoke Guide -----	1
7	4UTB0202071	氣壓缸 Cylinder -----	1
8	8MP05320810A	螺絲 Screw (STB0117 M5-0.8*8)-----	2
9	2200001510	墊片 Washer -----	1
10	4UTB020210	彈簧 Spring -----	1
11	4UTB020211	承座 Plunger -----	1
12	4UTB020212	擋片 Stopper -----	1
13	4UTB000336	安全開關 Safety Switch -----	1
14	4UTB010337	曲柄 Tension Release lever -----	1
15	4UTB010315	換向閥 Electromagnetic Valve -----	2
16	4UTB030216	固定座 Bracket Holder-----	1
17	4UTB03A0217	氣壓缸組 Cylinder Asm-----	1
18	4UTB010318	換向閥座 Electromagnetic Valve Base -----	1
19	4UTG010319	消音器 Silencer -----	2
20	4UTB020266	空氣管接頭 Elbow Connector -----	1
21	4UTB010311	空氣管接頭 Connector -----	2
22	4UTB010312	空氣管接頭 Connector -----	2
23	4UTB030223	氣壓缸 Cylinder -----	1
24	4UTB000305	節流閥 Speed Controller -----	2
25	8MA22600627A	螺帽 Nut (UTB30225 M22-1.5*6) -----	1
26	4UTB010313	螺絲 Screw (UTB0313 M2.5-0.45*25)-----	4
27	4UTB010314	彈簧墊圈 Spring Washer -----	4
28	4UTB020228	絕緣套管 Bushing -----	2
29	4UTB020229	空氣管接頭 Elbow Connector -----	2
30	8MA20600627A	螺帽 Nut (UTB20230 M20-1.5*6) -----	2
31	8MA10600617A	螺帽 Nut -----	1
32	4PFE010113	套管 Clutch Sleeve -----	1
33	8MA03200306A	螺帽 Nut (FTB0111 M3-0.5*3) -----	2
34	8MB04280507K	螺絲 Screw (FT0235 M4-0.7*5) -----	2
35	8MN03200400A	螺絲 Screw (UH0125 M3-0.5*4) -----	1
36	8MA08500513A	螺帽 Nut (FTC10126 M8-1.25*5)-----	1
37	8MP06401211A	螺絲 Screw (UTB0302 M6-1*12)-----	2
38	4UTB010245	定位環 Collar -----	1
39	8MC95300606F	螺絲 Screw(CT0823 M4.5-0.75*5) -----	1
40	8MC03201606D	螺絲 Screw (UTB03351 M3-0.5*16) -----	2
41	8MB04280807K	螺絲 Screw (CT0215 M4-0.7*8) -----	2
42	90SW040	彈簧墊圈 Spring Washer -----	2
43	8MM04282507B	螺絲 Screw (FT0719 M4-0.7*25) -----	2
44	8MB04280908G	螺樁 Stud (UTB0339 M4-0.7*4) -----	1
45	-----	-----	-
46	2200000816	彈簧 Spring -----	1
47	8MB04280607M	螺樁 Stud (UTC2-01-34 M4-0.7*5.5) -----	1
48	4UTB02A02011	氣壓缸組 Cylinder Asm. -----	1
49	4UTB02A0249	支架組 Knife Holder Bracket Asm -----	1
50	4UTB020250	銅扣 Brass Button -----	1

### 3. UTB03/UTB05/UTB07/UTB07B/UTG03/UTH03 空壓組件 Compressed Air Components For UTB03/UTB05/UTB07/UTB07B/UTG03/UTH03



### 3. UTB03/UTB05/UTB07/UTB07B/UTG03/UTH03 空壓組件

#### Compressed Air Components For UTB03/UTB05/UTB07/UTB07B/UTG03/UTH03

序號 Ref.No.	圖號 Parts No.	名稱 Description	單位用量 Amt .Req.
51	2200001025	墊圈 Washer -----	1
52	8SB44400608K	螺絲 Screw (SH0128 11/64-40*6)-----	1
*53	4UTB02A0253	磁控支架組 Magnetic Type Safety Switch SET. -----	1
54	8MN04280400A	螺絲 Screw (CT0229 M4-0.7*4) -----	1
55	4UTB02A0255	觸控支架組 One Touch Type Safety Switch SET. -----	1
56	4UTB020256	安全開關 Safety Switch -----	1
57	4UTB01A03491	換向閥組 Electromagnetic Valve Asm-----	1
58	4UTB010353	墊圈 Washer -----	4
59	4UTB020259	支架 Knife Holder Bracket -----	1
60	4UTB000444	磁鐵 Magnet -----	1
61	8MB04280607K	螺絲 Screw (MT0233 M4-0.7*6) -----	2
62	4UTB01A0255	定位環組 Collar Asm-----	1
63	-----	-----	-
64	-----	-----	-
65	4WPC000114	節流閥 Speed Controller -----	2
66	4UTB020262	支架 Cylinder Holder Bracket -----	1
67	8MC03203006D	螺絲 Screw (MN0120 M3-0.5*30) -----	2
68	8MB04280507A	螺絲 Screw (UH0917 M4-0.7*4.5) -----	2
69	90SW030	彈簧墊圈 Spring Washer -----	2
70	8MM06401210A	螺絲 Screw (FT1103 M6-1*12) -----	3
71	8MK95301407A	螺絲 Screw (CT0837 M4.5-0.75*14) -----	1
72	4UTB020272	公端子 Power cord -----	2
73	4UTG0103181	換向閥座 Electromagnetic Valve Base -----	1
74	4UTG01A03491	換向閥組 Electromagnetic Valve Asm-----	1
75	4UTH020121	空氣管接頭 Connector -----	4
76	4UTH02A0157	換向閥組 Electromagnetic Valve Asm-----	1
77	4UTG010355	螺絲 Screw(UTG0355 M5-0.8*4) -----	1
78	4UTG010317	墊圈 Washer -----	1

\* 選購To pick and make purchase

機型 Model UTB03 / UTB05 / UTB07 / UTB07B ( 2顆換向閥 Electromagnetic Valve 2 pcs.)

序號 Ref.No.	15	18	21	22	26	27	57	58
用量 Req.	2	1	2	2	4	4	1	4

機型 Model UTG03 ( 3顆換向閥 Electromagnetic Valve 3 pcs.)

序號 Ref.No.	15	73	21	22	26	27	74	58	77	78
用量 Req.	3	1	2	3	6	6	1	5	1	1

機型 Model UTH03 ( 3顆換向閥 Electromagnetic Valve 3 pcs.)

序號 Ref.No.	15	73	75	22	26	27	76	58
用量 Req.	3	1	4	2	6	6	1	6