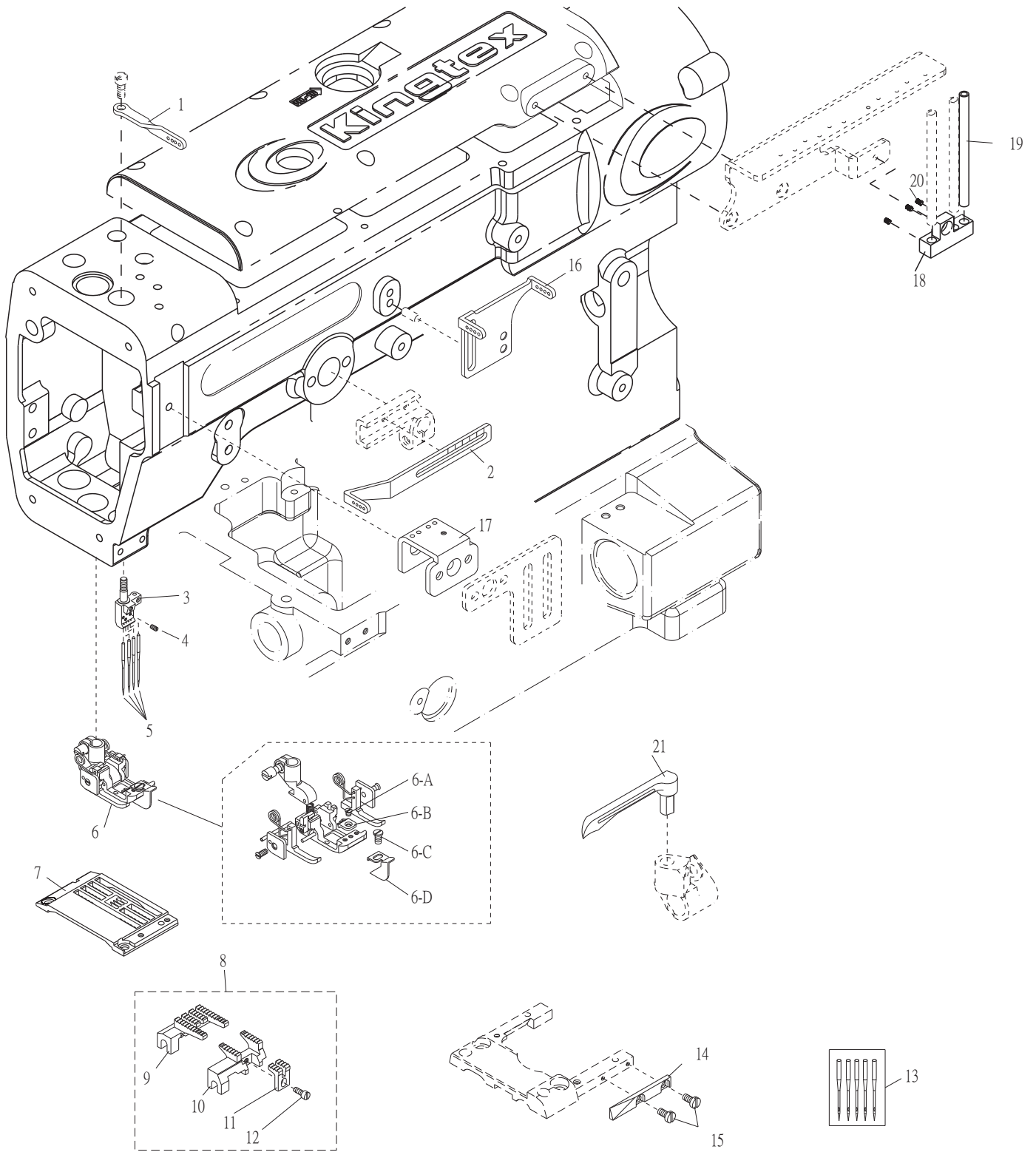


1. CTD9660 筒型四針用零件列表

Parts List For CTD9660 4-Needle Cylinder Type For Flat-Seaming / Flat-Lock



序號 Ref.No.	名稱 Description	針距 Distance Of Needles		
		5.6	6.0	6.4
3	針留 Needle Clamp	5228NC60560	5228NC60600	5228NC60640
6	壓腳 Presser Foot	5221PF60560	5221PF60600	5221PF60640
6-B	壓腳舌 Presser Foot Tongue	5221PF6056A	5221PF6060A	5221PF6064A
7	針板 Needle Plate	5226TP60560	5226TP60600	5226TP60640

1. CTD9660 筒型四針用零件列表

Parts List For CTD9660 4-Needle Cylinder Type For Flat-Seaming / Flat-Lock

序號	物料編號	名稱	單位用量
Ref. No.	Parts Number	Description	Amt. Req.
1	2210600118	導線 Thread Guide -----	1
2	2210600123	針棒揚線桿 Needle Thread Take-Up -----	1
3	-----	針留 Needle Clamp (See Left Page) -----	1
4	8SC24560303B	螺絲 Screw (NT67-7-23 3/32"-56*2.5)-----	5
5	66734-11-5	針 Needle (SCHMETZ Canu:34:22 1 NM: 75 #11)-----	1
6	-----	壓腳組 Press Foot Set(See Left Page) -----	1
6-A	5221PF6056C	螺絲 Screw -----	1
6-B	-----	壓腳舌 Press Foot Tongue(See Left Page) -----	1
6-C	8SB24560405A	螺絲 Screw (SH0413 3/32"-56*4) -----	1
6-D	5221PF6056F	導布定規 Presser Foot Guide -----	1
7	-----	針板 Needle Plate(See Left Page) -----	1
8	5226DG0003	送布齒組 Feed Dog Asm. -----	1
9	5226FD11560	主送布齒 Main Feed Dog-----	1
10	5226DF13560	副送布齒 Diff Feed Dog -----	1
11	5226AF13560	輔助送布齒 Aux Feed Dog -----	1
12	8MB75180505A	螺絲 Screw (CTS0218 M2.5-0.45*5) -----	1
13	66734-11-5	備用針 Spare Needle -----	1
14	2260000211	擋片 Gefender -----	1
15	8MB75180505A	螺絲 Screw (CTS0218 M2.5-0.45*5) -----	2
16	2210600122	導線 Thread Guide -----	1
17	2210600124	導線 Thread Guide -----	1
18	2240600102	導線座 Thread Guide Holder -----	1
19	2200000327	導線管 Thread Guide Pipe -----	1
20	8MN03200300A	螺絲 Screw (CT0115 M3-0.5*3)-----	1
21	5220LL60560	下結線鉤 Looper -----	1