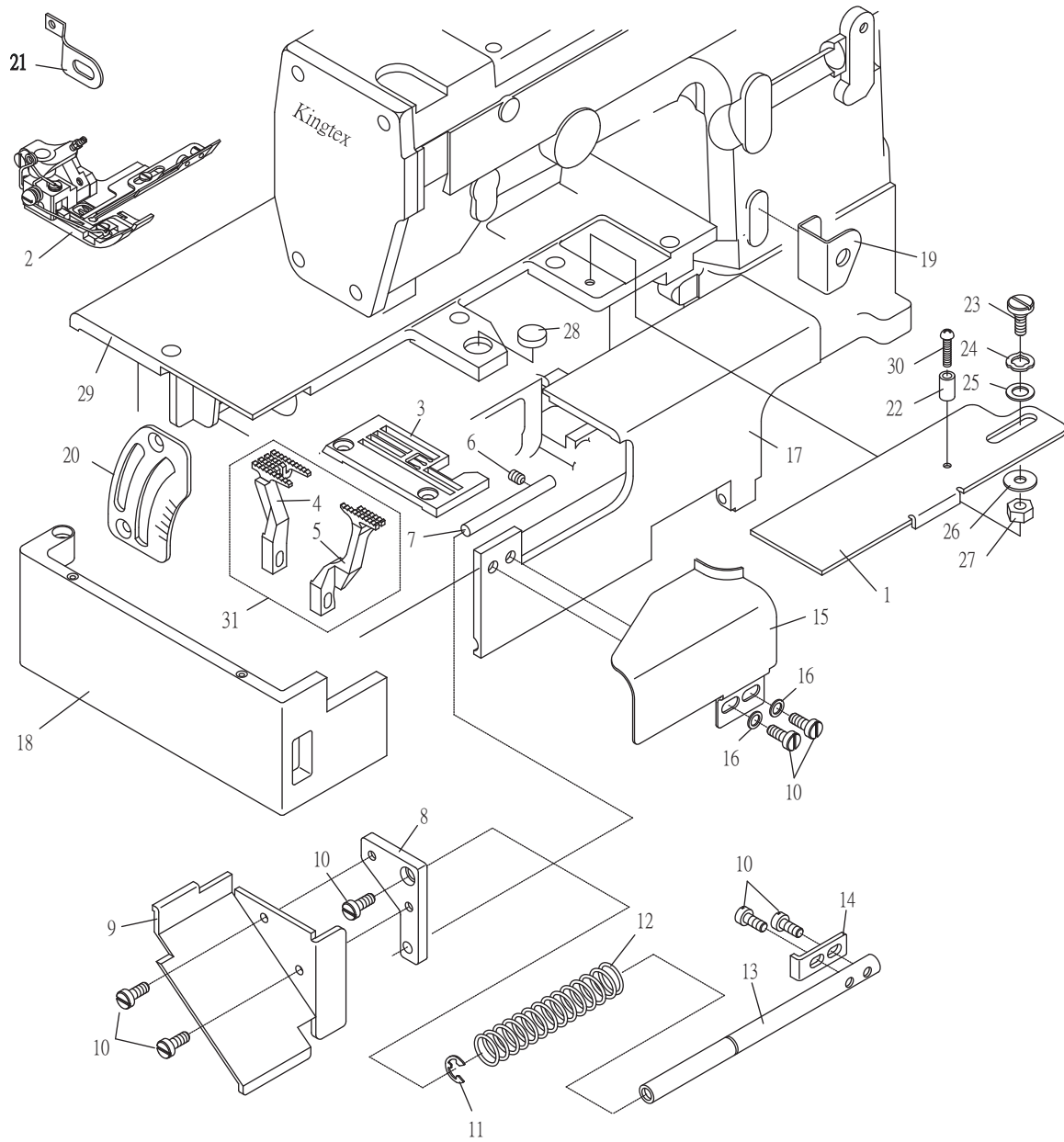


1. FT6539-2 壓腳,針板,送布齒及各項護蓋列表  
 Press Foot, Needle Plate, Feed Dog And Conservation Covers



序號 Ref.No.	名稱 Description	針距 Distance Of Needles			
		4.0	4.8	5.6	6.4
2	壓腳 Presser Foot	5221PF09404	5221PF09484	5221PF09564	5221PF09644
3	針板 Needle Plate	5221TP39401	5221TP39481	5221TP39561	5221TP39641

1. FT6539-2 壓腳,針板,送布齒及各項護蓋列表

Press Foot, Needle Plate, Feed Dog And Conservation Covers

序號	物料編號	名稱	單位用量
Ref. No.	Parts Number	Description	Amt. Req.
1	22100901011	護線蓋 Cloth Plate -----	1
2	-----	壓腳 Presser Foot Asm -----	1
3	-----	針板 Throat Plate -----	1
4	5221FD39560	主送布齒 Main Feed Dog -----	1
5	5221DF09560	副送布齒 Diff Feed Dog -----	1
6	8MN04280400A	螺絲 Screw (CT0229 M4-0.7*4) -----	1
7	2210090107	導桿 Slide Guide -----	1
8	2210090108	固定板 Cover Support -----	1
9	22100901091	導布屑 Chip Guide -----	1
10	8MB04281007K	螺絲 Screw (CT1237 M4-0.7*10) -----	7
11	90ER060	E形扣環 E Ring -----	1
12	2210090112	彈簧 Spring -----	1
13	2210090113	滑桿 Slide Bar -----	1
14	2210090114	止動片 Stopper -----	1
15	2210090115	導模 Edge Guide -----	1
16	2100000223	墊圈 Washer (W3) -----	2
17	2210090117	下座前蓋 Front Cover -----	1
18	2210090118	側蓋 Side Cover -----	1
19	2210090119	底線護線罩 Thread Protect Plate -----	1
20	2210390128	差動刻記板 Regulator Plate -----	1
21	2210390129	護指環 Safety Plate Holder -----	1
22	2210090120	手柄 Spacer -----	1
23	2210090121	螺絲 Screw -----	1
24	90WW060	波型墊圈 Wave Washer -----	1
25	2200000910	墊圈 Washer -----	1
26	2210090124	墊圈 Washer -----	1
27	8MA95300307A	螺帽 Nut -----	1
28	2210090126	磁鐵 Magnet -----	1
29	2210090127	封蓋 Rear Cover -----	1
30	8MC03201306D	螺絲 Screw (UTB0335 M3-0.5*12.5) -----	1
31	5221DG0012	送布齒組 Feed Dog Asm. -----	1