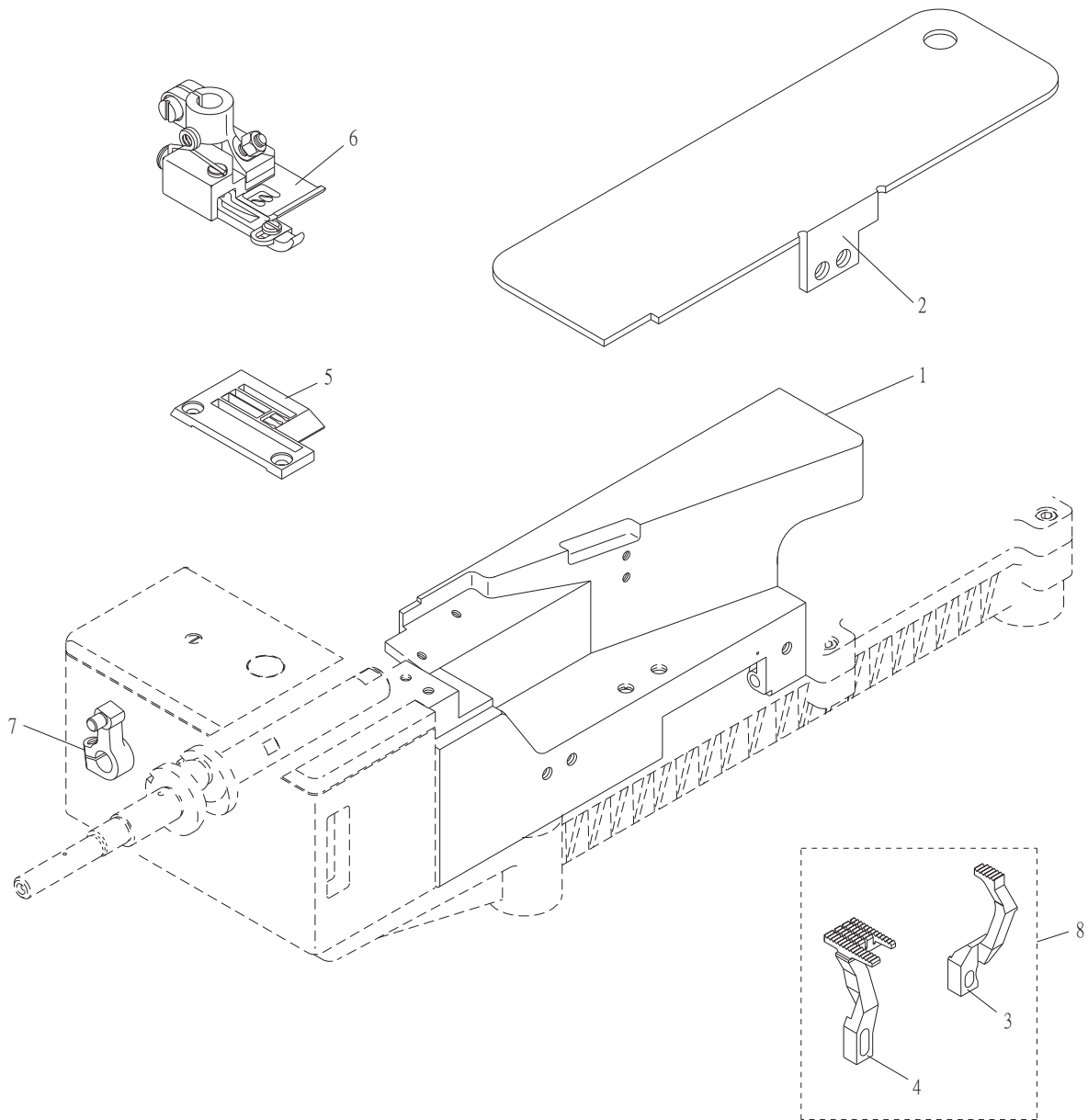


1. FT□□03 平形圓領包邊用零件列表Parts List For FT□□03 Collarettes Knitted Binding

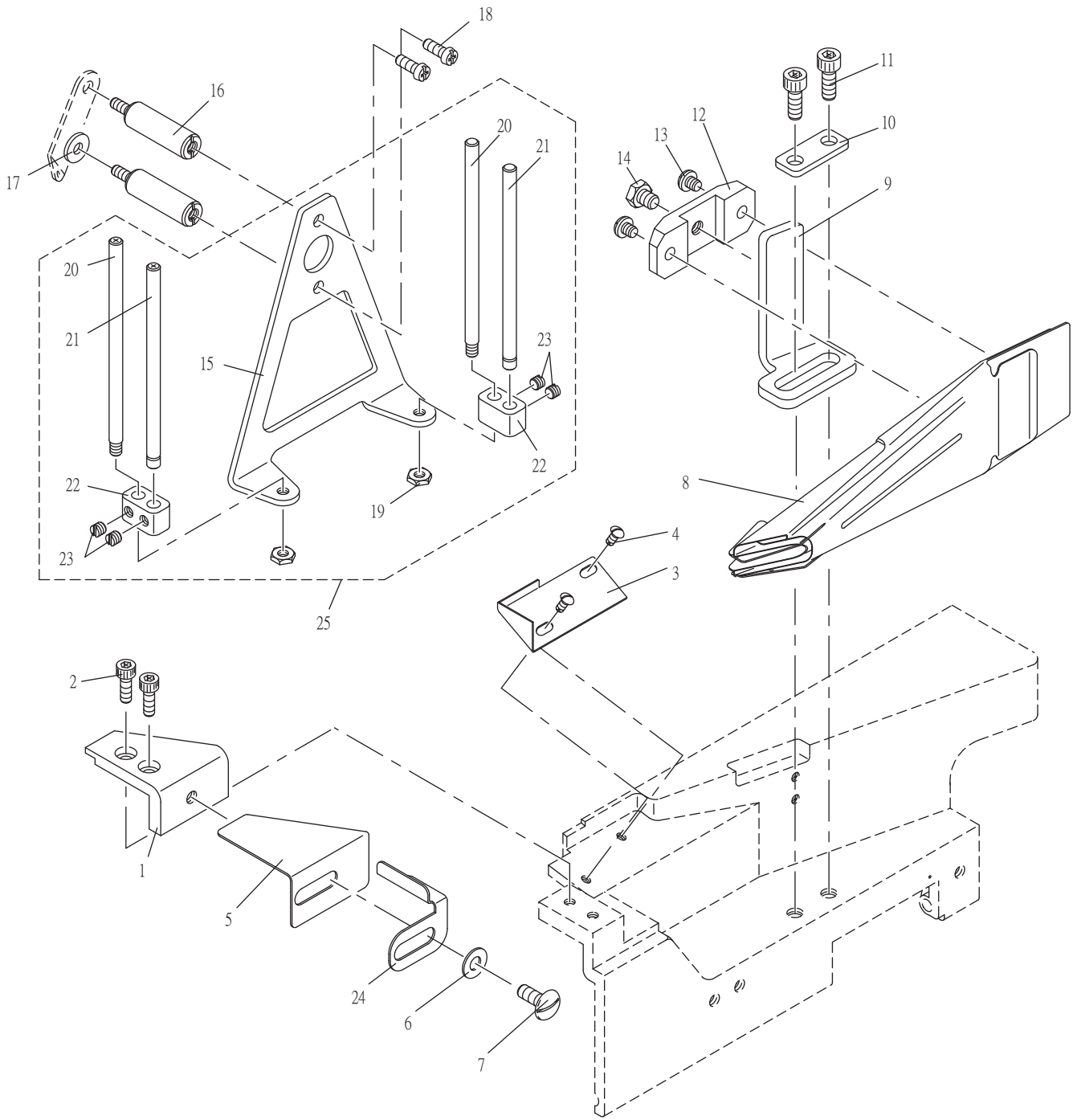


| 序號<br>Ref.No. | 名稱<br>Description  | 針距 DistanceOfNeedles |             |             |             |
|---------------|--------------------|----------------------|-------------|-------------|-------------|
|               |                    | 4.0                  | 4.8         | 5.6         | 6.4         |
| 5             | 針板<br>Needle Plate | 5222TP03401          | 5222TP03481 | 5222TP03561 | 5222TP03641 |
| 6             | 壓腳<br>Presser Foot | 5222PF03401          | 5222PF03481 | 5222PF03561 | 5222PF03641 |

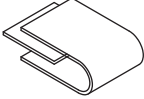
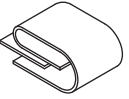
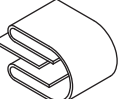
1. FT□□03 平形圓領包邊用零件列表Parts List For FT□□03 Collarettes Knitted Binding

| 序號       | 物料編號         | 名稱  | 單位用量     |
|----------|--------------|---|----------|
| Ref. No. | Parts Number | Description                               | Amt.Req. |
| 1        | 2210030101   | 下座前蓋 Front Cover -----                    | 1        |
| 2        | 2210030102   | 防塵蓋 Dust Cover -----                      | 1        |
| 3        | 5221DF03563  | 副送布齒 Diff Feed Dog -----                  | 1        |
| 4        | 5223FD03560  | 主送布齒 Main Feed Dog -----                  | 1        |
| 5        | -----        | 針板 Needle plate (see Left Page) -----     | 1        |
| 6        | -----        | 壓腳組 Press Foot Asm. (see Left Page) ----- | 1        |
| 7        | 2210390256   | 曲柄 Lever -----                            | 1        |
| 8        | 5223DG0001   | 送布齒組 Feed Dog Asm.-----                   | 1        |

## 2. FT□□03 平形成型導模用零件表 Parts List For FT□□03 Folder and Tape Guide



### 8. 導模型式 Folder Type

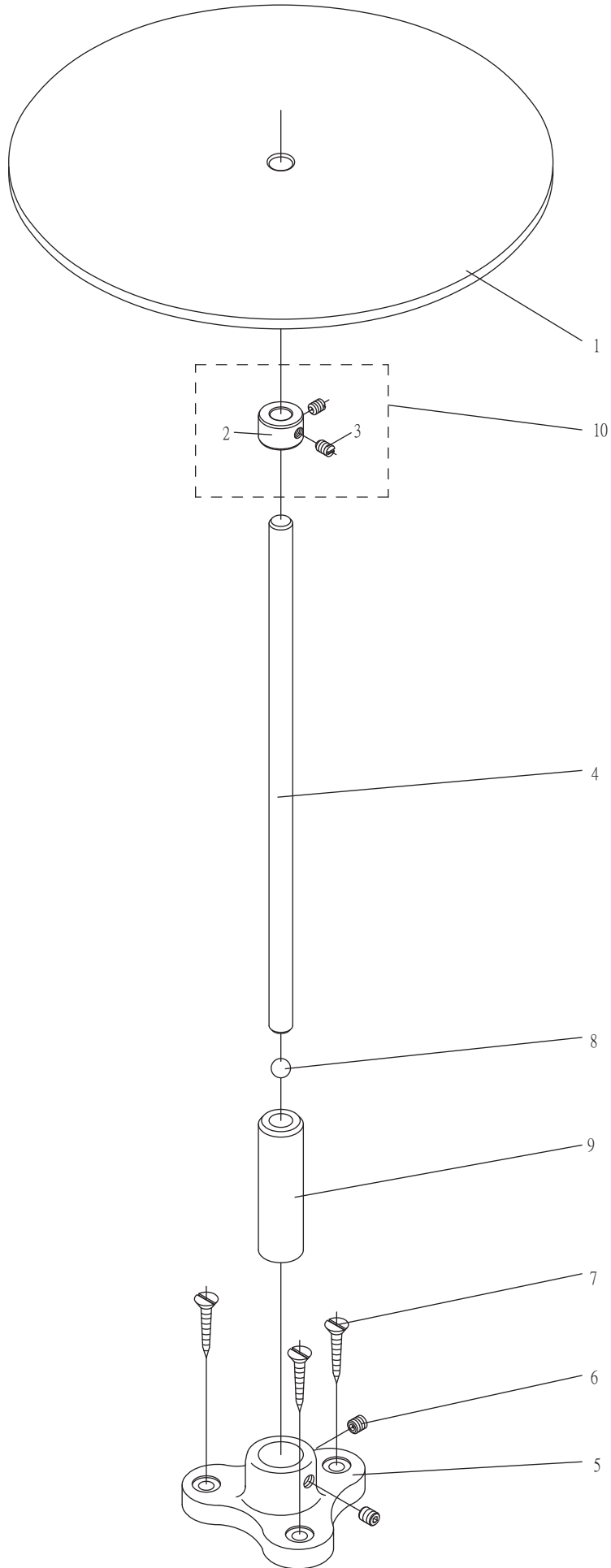
| 導模型式<br>Folder Type |  2 折<br>Two Fold |  3 折<br>Three Fold |  4 折<br>Four Fold |
|---------------------|---|---|--|
| 圖 號<br>Part No.     | 221FR0201<br>(F030208FD2)   | 221FR0301<br>(F030208FD3)   | 221FR0401<br>(F030208FD4)  |

2. FT□□03 平形成型導模用零件表Parts List For FT□□03 Folder and Tape Guide

| 序號       | 物料編號          | 名稱                                   | 單位用量     |
|----------|---------------|--------------------------------------|----------|
| Ref. No. | Parts Number  | Description                          | Amt.Req. |
| 1        | 2210030201    | 導帶布板座 Farbric Side Plate -----       | 1        |
| 2        | 8MM04281207A  | 螺絲 Screw (CT0202 M4-0.7*12) -----    | 2        |
| 3        | 2210030203    | 防塵蓋 Dust Cover -----                 | 1        |
| 4        | 8MB04280807K  | 螺絲 Screw (CT0215 M4-0.7*8) -----     | 2        |
| 5        | 2200030214    | 導帶布板 Fabric Silde Plate -----        | 1        |
| 6        | 90PW050       | 墊圈 Washer -----                      | 1        |
| 7        | 8MB05320710A  | 螺絲 Screw (C030217 M5-0.8*7) -----    | 1        |
| *8       | -----         | 成型導模 Folder ( See Left page ) -----  | 1        |
| 9        | 2210030209    | 導模支撐臂 Folder Support -----           | 1        |
| 10       | 2200030206    | 夾板 FixingPlate -----                 | 1        |
| 11       | 8MM005321409A | 螺絲 Screw (CT0632 M5-0.8*14) -----    | 2        |
| 12       | 2200030202    | 導模夾板 Folder Clamp -----              | 1        |
| 13       | 8SB44400407K  | 螺絲 Screw(C030203 9/64"-40*4) -----   | 2        |
| 14       | 8SK56320608A  | 螺絲 Screw (C030204 7/32"-32*6) -----  | 1        |
| 15       | 2200030218    | 導帶桿架 Tape Guide Holder -----         | 1        |
| 16       | 2200030219    | 螺樁 Stud -----                        | 2        |
| 17       | 2200030220    | 墊圈 Washer -----                      | 1        |
| 18       | 8MC04280807D  | 螺絲 Screw (CT0130 M4-0.7*8) -----     | 2        |
| 19       | 8SA44400307A  | 螺帽 Nut (SH0914 11/64"-40 *2.5) ----- | 2        |
| 20       | 2200030223    | 導帶桿 Tape Guide Holder -----          | 2        |
| 21       | 2200030224    | 導帶桿 Tape Guide Holder -----          | 2        |
| 22       | 2200030225    | 帶位調整塊 Tape Adjusting holder -----    | 2        |
| 23       | 8SN44400400E  | 螺絲 Screw (SH0104 11/64"-40*4) -----  | 4        |
| 24       | 2210030224    | 輔助布板 Aux. Cloth Plate -----          | 1        |
| 25       | 220A0030228   | 導帶組 Tape Guide Set -----             | 1        |

\*特註品Custom-made Item

3. TS005 滾條輸送帶列表Parts List For TS005 Tape Stand



### 3. TS005 滾條輸送帶列表Parts List For TS005 Tape Stand

| 序號       | 物料編號         | 名稱                                 | 單位用量     |
|----------|--------------|------------------------------------|----------|
| Ref. No. | Parts Number | Description                        | Amt.Req. |
| 1        | 4TS0050101   | 承盤 Plastic Plate -----             | 1        |
| 2        | 4TS0050102   | 調整環 Ring -----                     | 1        |
| 3        | 8SG56320500A | 螺絲 Screw (SH0425 7/32"-32*5) ----- | 2        |
| 4        | 4TS0050104   | 立柱 Rod -----                       | 1        |
| 5        | 4TS0050105   | 座 Stand Base -----                 | 1        |
| 6        | 8SK60281207F | 螺絲 Screw -----                     | 2        |
| 7        | 8WF50202210A | 螺絲 Screw -----                     | 3        |
| 8        | 90BL100      | 鋼珠 Ball -----                      | 1        |
| 9        | 4TS0050109   | 承座 Stand Base -----                | 1        |
| 10       | 4TS005A0102  | 調整環組 Ring Asm.-----                | 1        |