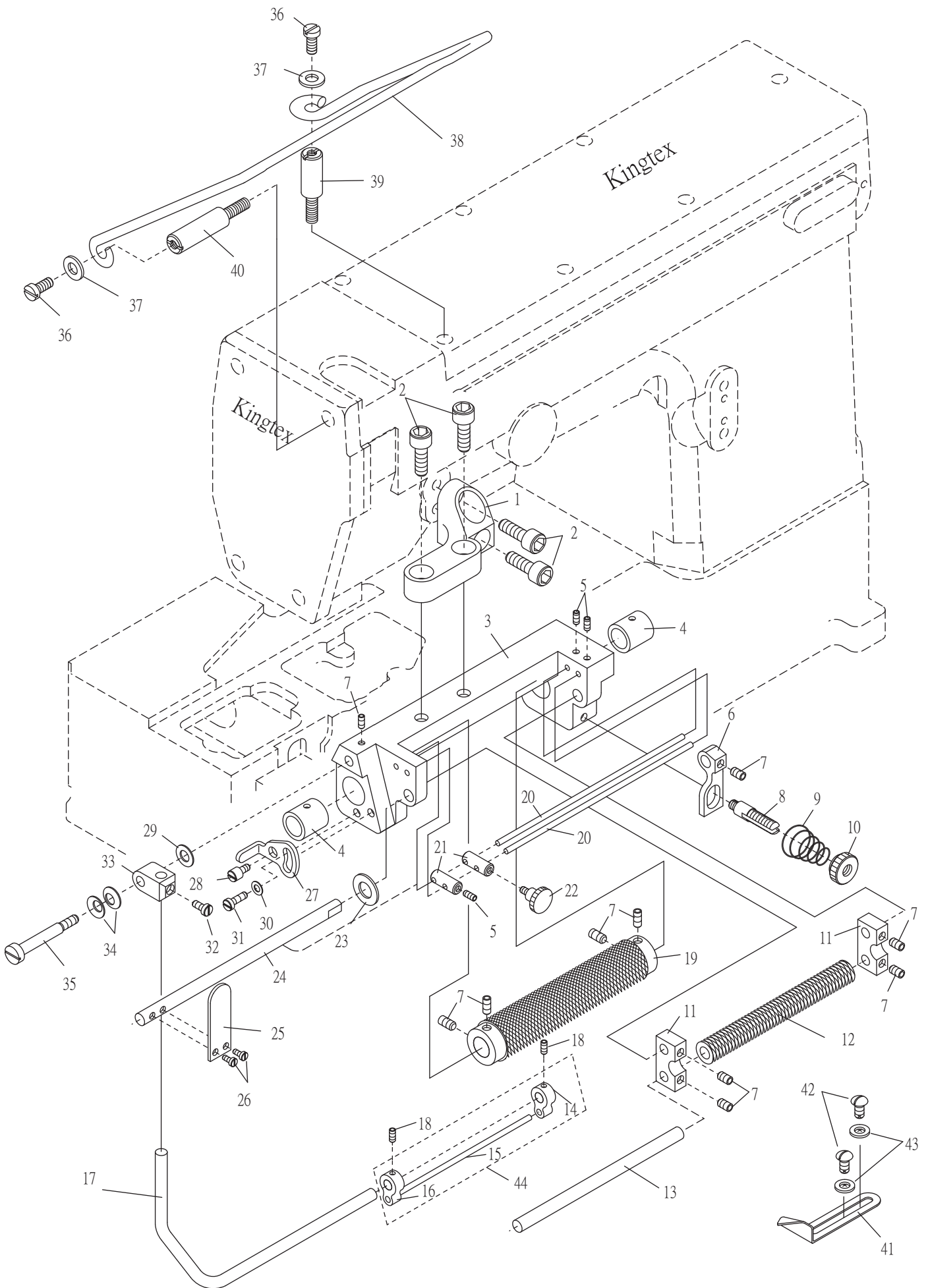


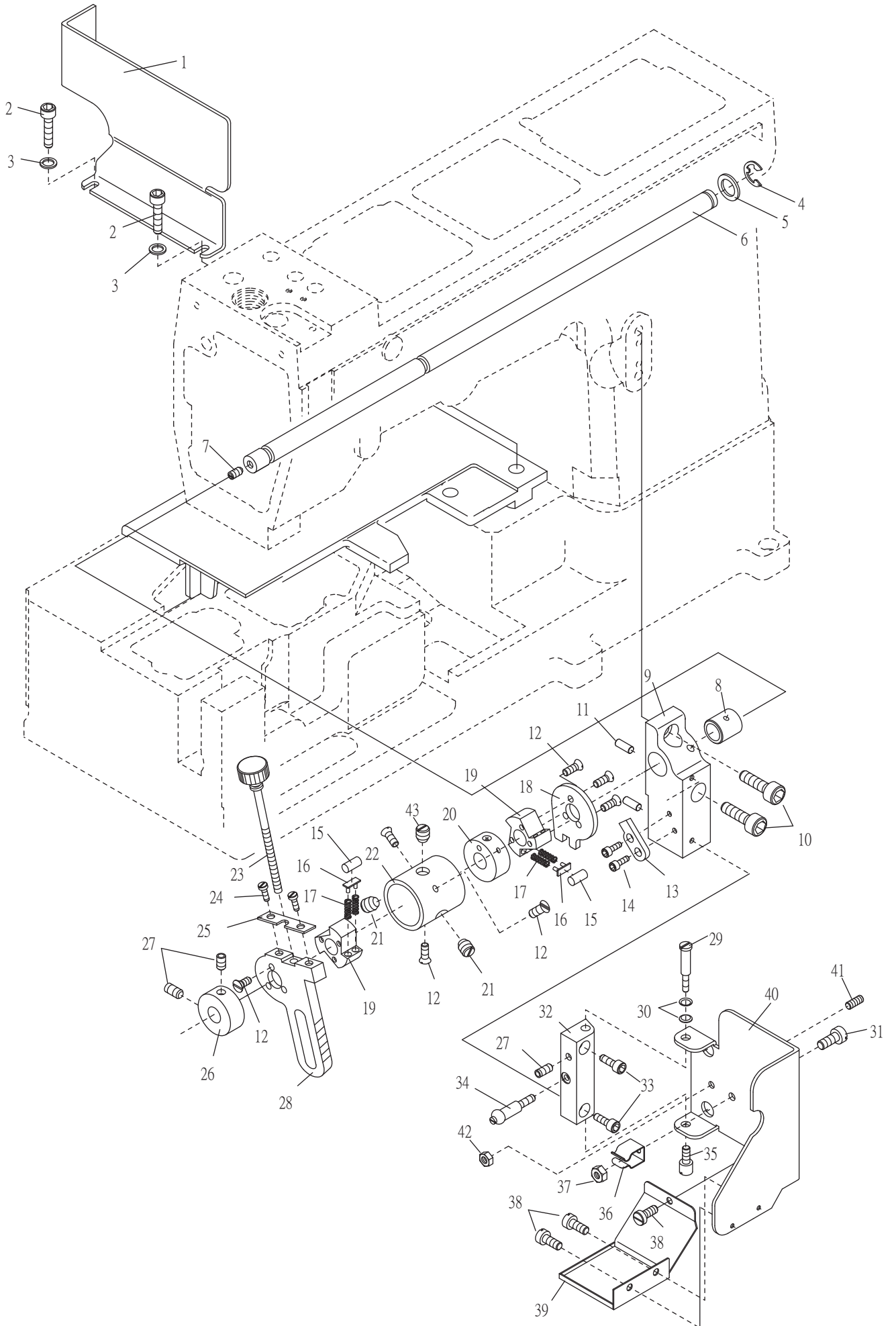
1.送鬆緊帶傳送機構列表(A) Metering Device Mechanism Components (A)



1.送鬆緊帶傳送機構列表(A) Metering Device Mechanism Components (A)

序號	物料編號	名稱	單位用量
Ref. No.	Parts Number	Description	Amt.Req.
1	2210090301	支架 Roller Holder Bracket -----	1
2	8MM06401610A	螺絲 Screw (CT0625 M6-1*16)-----	4
3	2210090303	滾輪支架 Roller Holder -----	1
4	2210090304	軸襯 Bushing -----	2
5	8MN03200300A	螺絲 Screw (CT0115 M3-0.5*3)-----	3
6	2210090306	調壓臂 Spring Hoider -----	1
7	8MN04280600C	螺絲 Screw (CT1104 M4-0.7*6)-----	10
8	2210090308	調節螺樁 Stud -----	1
9	2210090309	彈簧 Spring -----	1
10	2210090310	調整螺帽 Adjusting Nut -----	1
11	2210090311	從動滾輪臂 Arm -----	2
12	2210090312	從動滾輪 Tension Roller -----	1
13	2210090313	軸 Shaft -----	1
14	2210090314	右導模 Tape Guide (R) -----	1
15	2210090315	導模滑桿 Tape Guide Bar -----	1
16	2210090316	左導模 Tape Guide (L) -----	1
17	2210090317	導模承桿 Tape Guide Support Bar -----	1
18	8MN03200300A	螺絲 Screw (CT0115 M3-0.5*3)-----	2
19	2210090319	主動滾輪 Feeding Roller -----	1
20	2210090320	導模導桿 Tape Guide Bar -----	2
21	2210090321	導模 Tape Guide -----	2
22	2210090322	固定螺樁 Knob Screw Stud -----	1
23	2210000533	墊圈 Washer -----	1
24	2210090324	軸 Tension Link Shaft -----	1
25	2210090325	釋壓板手 Press Release -----	1
26	8MB03200606K	螺絲 Screw (CT1207 M3-0.5*6)-----	2
27	2210090327	限位片 Holder -----	1
28	2210090328	螺絲 Screw -----	1
29	2200000232	墊圈 Washer -----	1
30	2200000233	墊圈 Washer -----	1
31	8MB04281007K	螺絲 Screw (CT1237 M4-0.7*10)-----	1
32	8SB44400807A	螺絲 Screw (SH0309 11/64"-40*8)-----	1
33	2210090333	接頭 Joint -----	1
34	2200000228	彈簧墊圈 Conical Spring Washer -----	2
35	8MB04283809E	螺樁 Stud (CT0227 M4-0.7*38)-----	1
36	8MC04281207D	螺絲 Screw (CT0102 M4-0.7*12)-----	2
37	2100000223	墊圈 Washer -----	1
38	4TB0000101	帶架 Tape Holder -----	1
39	2210600116	螺樁 Stud -----	1
40	4TB0000103	螺樁 Stud -----	1
41	2210110103	右導模 Fabric Guide (R) -----	1
42	8MC05321209D	螺絲 Screw (C850212 M5-0.8*12) -----	2
43	2200000228	墊圈 Washer -----	2
44	221A0090341	導模滑桿組 Tape Guide Bar Asm.-----	1

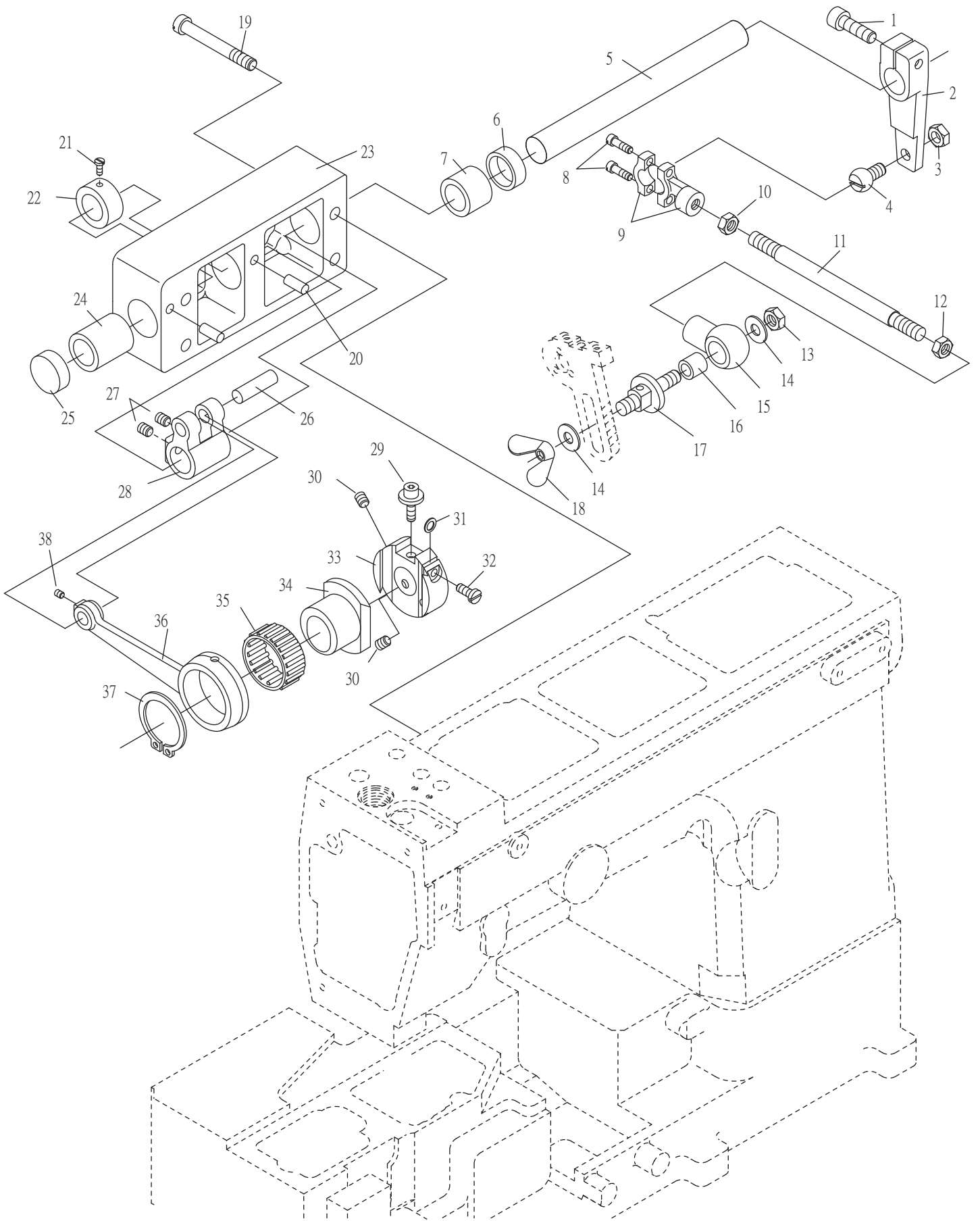
2.送鬆緊帶傳送機構列表 (B) Metering Device Mechanism Components (B)



2.送鬆緊帶傳送機構列表 (B) Metering Device Mechanism Components (B)

序號	物料編號	名稱	單位用量
Ref. No.	Parts Number	Description	Amt.Req.
1	2210090401	連桿護蓋 Clutch Rod Cover -----	1
2	8MM04281007A	螺絲 Screw (FT0203 M4-0.7*10)-----	2
3	2200000232	墊圈 Washer -----	2
4	90ER080	E形扣環 E Ring -----	1
5	2210090405	墊圈 Washer -----	1
6	2210090406	軸 Roller Shaft -----	1
7	8MH05320400A	螺絲 Screw (CT0523 M5-0.8*4)-----	1
8	2210090408	軸襯 Bushing -----	1
9	2210090409	離合器支架 Clutch Bracket -----	1
10	8MM06401610A	螺絲 Screw (CT0625 M6-1*16)-----	2
11	2210090411	定位銷 Knock Pin -----	2
12	8SF36400606A	螺絲 Screw (RP0217 9/64"-40*7)-----	9
13	2210090413	定位片 Stop Per -----	1
14	8MM04281007A	螺絲 Screw (FT0203 M4-0.7*10)-----	2
15	4RP0010225	離合器滾珠 Clutch Roller -----	6
16	4RP0010224	滾輪承座 Clutch Roller Base -----	6
17	4RP0010223	彈簧 Clutch Spring -----	12
18	2210090418	離合器制動板 Clutch Plate -----	1
19	4RP0010221	離合器 Clutch -----	2
20	2210090420	內環 Clutch Sleeve Collar -----	1
21	8MN06400800A	螺絲 Screw (CT0549 M6-1*8)-----	3
22	2210090422	外環 Clutch Sleeve -----	1
23	2210090423	調整螺絲 Adjusting Screw -----	1
24	8MB03200606K	螺絲 Screw (CT1207 M3-0.5*6)-----	2
25	2210090425	調整螺絲擋片 Adjusting Plate -----	1
26	2210090426	定位環 Collar -----	1
27	8MN04280400A	螺絲 Screw (CT0229 M4-0.7*4)-----	3
28	2210090428	變距連桿 Clutch Lever -----	1
29	2210090429	樞銷螺樁 Hinge Pin-----	1
30	2200000228	彈簧墊圈 Spring Washer -----	2
31	8MB04281007K	螺絲 Screw (CT1237 M4-0.7*10)-----	1
32	2210090432	絞鏈 Cover Hinge -----	1
33	8MC04281407D	螺絲 Screw (CT0225 M4-0.7*14)-----	2
34	8MD04281408C	定位螺樁 Screw Stud (CT0222 M4-0.7)-----	1
35	8MB04280605M	螺絲 Screw -----	1
36	2200000121	夾簧 Latch Spring -----	1
37	8MA04280307A	螺帽 Nut (CT0238 M4-0.7*3)-----	1
38	8MD03200306A	螺絲 Screw (CT0242 M3-0.5*3)-----	3
39	2210090439	離合器護蓋(下) Clutch Cover(Lower)-----	1
40	2210090440	離合器護蓋 Clutch Rod Cover -----	1
41	8MN04281000A	螺絲 Screw (CT0216 M4-0.7*10) -----	1
42	8MA04280307A	螺絲 Screw (CT0238 M4-0.7*3) -----	1
43	8SH64400800A	螺絲 Screw (F090443 1/4"-40*8) -----	1

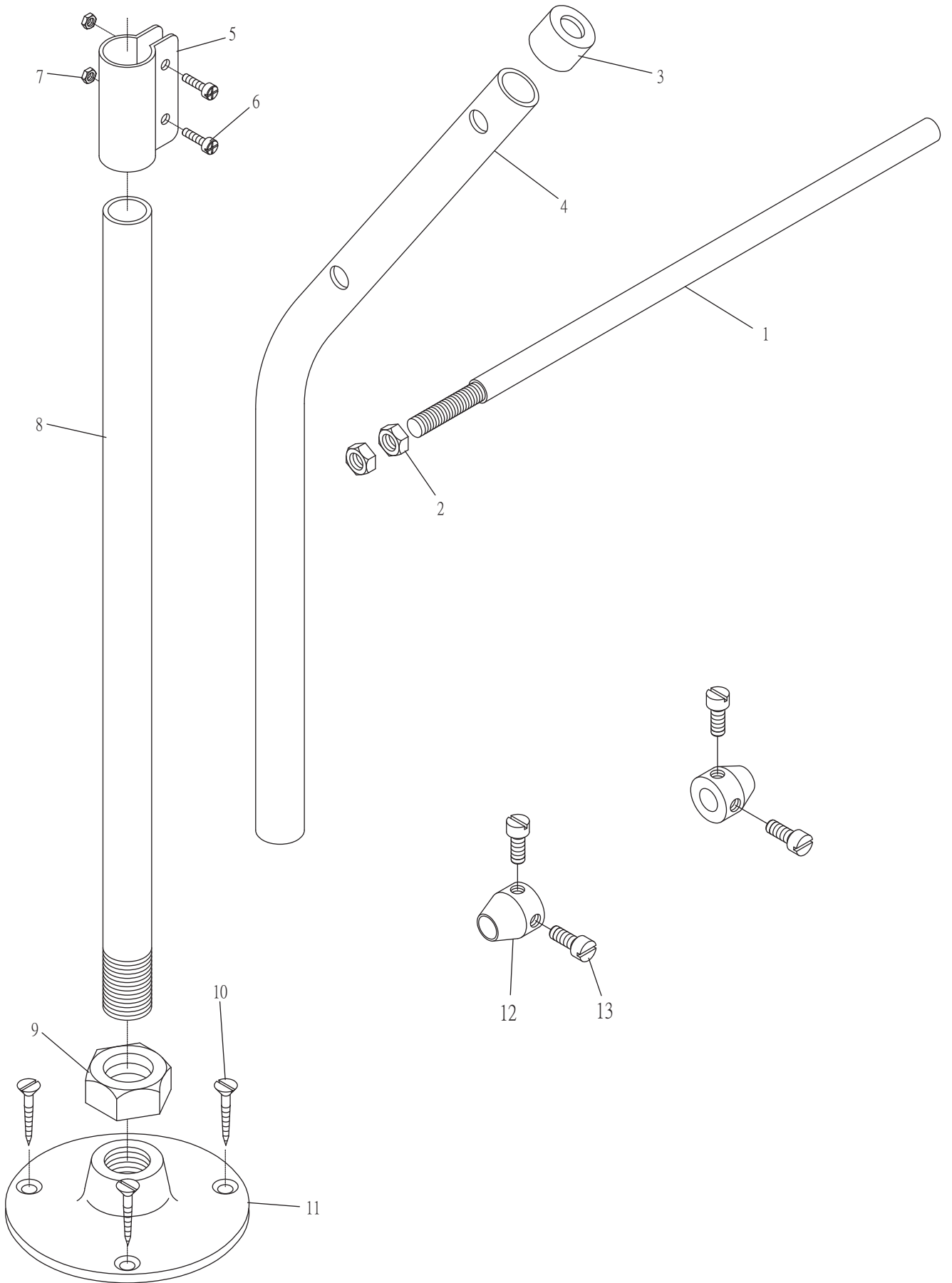
3.送鬆緊帶傳送機構列表(C) Metering Device Mechanism Components (C)



3.送鬆緊帶傳送機構列表(C) Metering Device Mechanism Components (C)

序號	物料編號	名稱	單位用量
Ref. No.	Parts Number	Description	Amt.Req.
1	8MM06402010A	螺絲 Screw (SH0444 M6-1*20)-----	1
2	2210090502	拉臂 Upper Feed Roller Arm -----	1
3	8SA64400409B	螺帽 Nut (RP0319 1/4"-40*4)-----	1
4	2210090504	球狀接頭 Ball Stud -----	1
5	2210090505	軸 Upper Feed Roller Shaft -----	1
6	4RP0010305	油封 Oil Seal -----	1
7	4RP0010303	軸襯 Bushing -----	1
8	8SB36401106B	螺絲 Screw (RP0320 9/64"-40*11)-----	2
9	2210090509	接頭 Joint-----	1
10	2210090510	左旋螺帽 Nut(Left-handed Screw 7/32"-32)-----	1
11	2210090511	螺樁 Rod Connection -----	1
12	8SA56320410A	螺帽 Nut (F09-05-12)-----	1
13	8MA06400510A	螺帽 Nut (CT0533 M6-1*5)-----	1
14	2210090514	墊圈 Washer -----	2
15	2210090515	接頭 Joint-----	1
16	2210090516	襯套 Clutch Lever Rod Slever -----	1
17	2210090517	調整螺樁 Clutch Lever Pin -----	1
18	2210090518	翼形螺帽 Wing Nut -----	1
19	8MM06403510B	螺絲 Screw (RP0307 M6-1*35) -----	4
20	4RP0010103	定位銷 Knock Pin -----	2
21	8SN44400400E	螺絲 Screw (SH0104 11/64"-40*4)-----	2
22	4RP0010308	定位環 Collar -----	1
23	4RP0010301	軸承座 Upper Feed Roller Shaft Bracket -----	1
24	4RP0010302	軸襯 Bushing -----	1
25	4RP0010304	油封 Seal Plug -----	1
26	4RP0010312	曲柄銷 Upper Feed Roller Driving Rod Pin-----	1
27	8MN06400600A	螺絲 Screw (CT0918 M6-1*6)-----	2
28	4RP0010311	曲柄 Upper Feed Roller Shaft Lever -----	1
29	4RP0010326	調整螺絲 Adjusting Stud -----	1
30	8MN05320500E	螺絲 Screw (CT0903 M5-0.8*5)-----	2
31	2210090531	隔環 Spacer -----	1
32	8MB04280807K	螺絲 Screw (CT0215 M4-0.7*8)-----	1
33	4RP0010323	滑軌 Upper Feed Roller Regulator -----	1
34	4RP0010327	滑塊 UpperFeed Roller Eccentric -----	1
35	90NB252913	滾針軸承 Roller Bearing -----	1
36	4RP0010329	連桿 Upper Feed Roller Driving Rod -----	1
37	4RP0010330	扣環 Retaining Ring -----	1
38	8MN03200500A	螺絲 Screw (RP0331 M3-0.5*5)-----	1

4. Ts03滾條架



4. TS03滾條架

序號	物料編號	名稱	單位用量
Ref. No.	Parts Number	Description	Amt.Req.
1	4TS0030101	軸 Shaft -----	1
2	8SA79180613A	螺絲 Screw (CT1514 5/16"-18*6) -----	2
3	4TS0060103	柱帽 Rod Cup -----	1
4	4TS0060104	上柱 Upper Thread Stand Rod -----	1
5	4TS0060105	接頭 Bracket -----	1
6	8SC48321708D	螺絲 Screw -----	2
7	8SA48320409B	螺帽 Nut (SH0527 3/16"-32*4)-----	2
8	4TS0060108	下柱 Lower Thread Stand Rod -----	1
9	4TS0060109	螺帽 Nut -----	1
10	8WF50202210A	木螺絲 Wood Screw -----	3
11	4TS0060111	座 Stand Base -----	1
12	4TS0030112	限動環 Stop Collar -----	2
13	8SH56320500A	螺絲 Screw -----	4