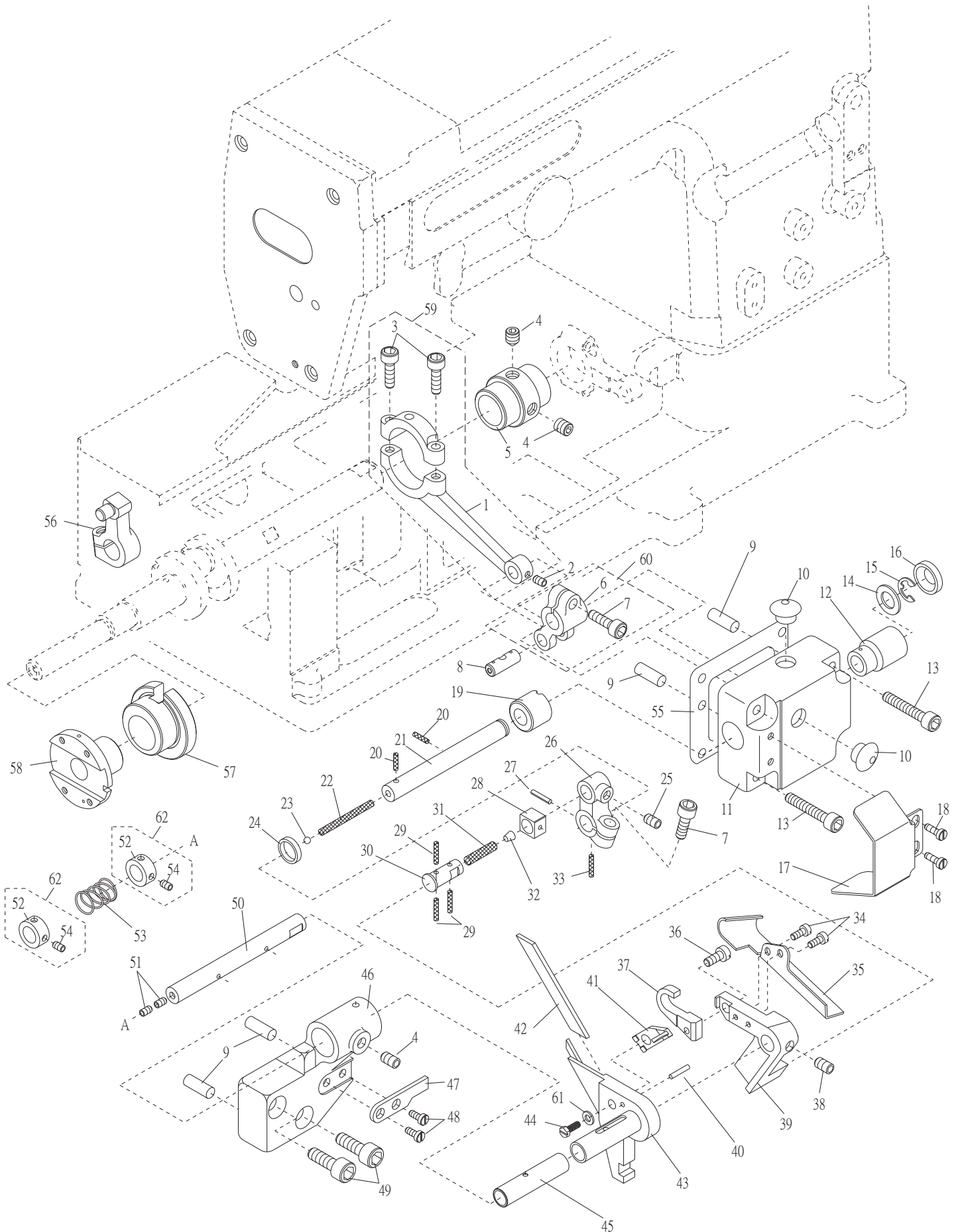


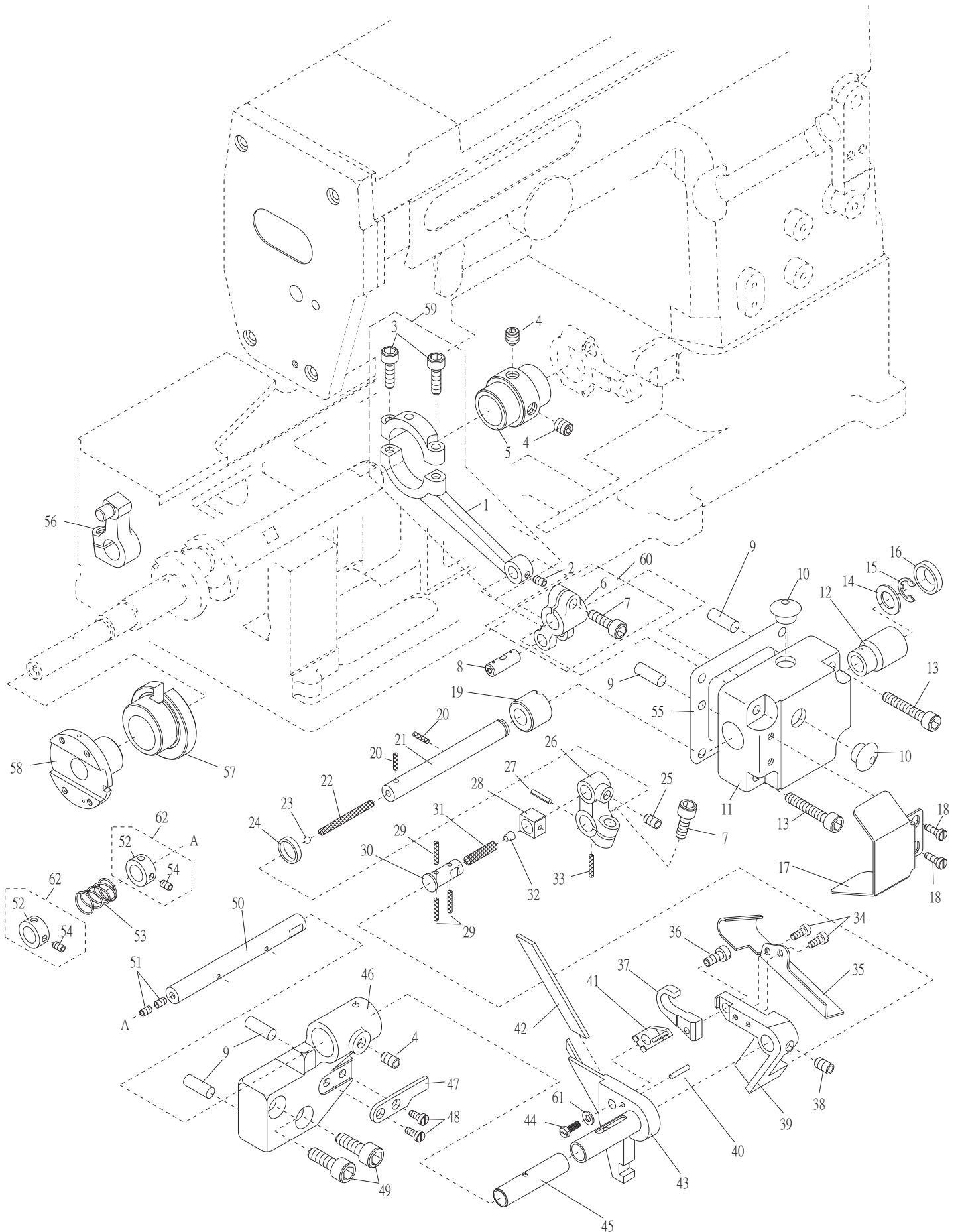
2. FT6539 / FT6539-2 / FT7039 / FT7039-2 上、下刀驅動機構列表
 Right Hand Upper And Lower Knives Driving Mechanism Components For
 FT6539 / FT6539-2 / FT7039 / FT7039-2



2. FT6539 / FT6539-2 / FT7039 / FT7039-2 上、下刀驅動機構列表
 Right Hand Upper And Lower Knives Driving Mechanism Components For
 FT6539 / FT6539-2 / FT7039 / FT7039-2

序號	物料編號	名稱	單位用量
Ref. No.	Parts Number	Description	Amt. Req.
1	2210090201	連桿 Connecting Rod -----	1
2	8MN03200400C	螺絲 Screw (CT1242 M3-0.5*4)-----	1
3	8MM04281407A	螺絲 Screw (FT1003 M4-0.7*14)-----	2
4	8MN05320500E	螺絲 Screw (CT0903 M5-0.8*5) -----	3
5	2210090205	偏心輪 Eccentric -----	1
6	2210090206	曲柄 Lever -----	1
7	8MM05321409A	螺絲 Screw (CT0632 M5-0.8*114)-----	2
8	2210090208	曲柄銷 Rod Pin -----	1
9	2210090209	定位銷 Knock Pin -----	4
10	22000001091	孔塞 Seal Plug -----	2
11	2210090211	軸承座 Bracket -----	1
12	2210090212	軸襯 Bushing -----	1
13	8MM04282507B	螺絲 Screw (FT0719 M4-0.7*25)-----	4
14	2210000533	墊圈 Washer -----	1
15	90ER060	E形扣環 E Ring -----	1
16	2210090216	孔塞 Plug -----	1
17	2210090217	護蓋 Oil Defender -----	1
18	8MC04280507D	螺絲 Screw (CT0122 M4-0.7*5)-----	2
19	2210090219	軸襯 Bushing -----	1
20	66800	油線 Oil Wick -----	2
21	2210090221	軸 Shaft -----	1
22	66800	油線 Oil Wick -----	1
23	2210090223	孔塞 Plug -----	1
24	2210090224	油封 Oil Seal -----	1
25	8MN04280400A	螺絲 Screw (CT0229 M4-0.7*4) -----	1
26	2210090226	曲柄 Lever -----	1
27	90SP0206	彈簧銷 Spring Pin -----	1
28	2210090228	滑塊 Silde Block -----	1
29	66800	油線 Oil Wick -----	3
30	2210090230	連結銷 Connecting Rod -----	1
31	66800	油線 Oil Wick -----	1
32	2210090232	孔塞 Plug -----	1
33	66800	油線 Oil Wick -----	1
34	8MB03200506K	螺絲 Screw (CT0525 M3-0.5*5)-----	2
35	2210090235	導布屑 Chip Guard -----	1
36	8SC36401007D	螺絲 Screw (SH0125 9/64"-40*10)-----	1
37	22100902372	上刀 Upper Knife -----	1
38	8MN06400600A	螺絲 Screw (C0244 M6-1*6)-----	1
39	2210090239	上刀座 Upper Knife Holder -----	1
40	2210090240	定位銷 Knock Pin -----	1
41	2210090241	壓板 Lower Knife Clamp -----	1
42	2210090242	下刀 Lower Knife -----	1
43	2210090243	下刀座 Lower Knife Holder -----	1
44	8SK44401207A	螺絲 Screw (FT70690244 11/64"-40*12)-----	1
45	2210090245	軸襯 Bushing -----	1
46	2210090246	下刀台 Lower Knife Holder Bracket -----	1
47	2210090247	止動片 Rotation Stopper -----	1
48	8MB04280807K	螺絲 Screw (CT0215 M4-0.7*8)-----	2
49	8MM06402010A	螺絲 Screw (SH0444 M6-1*20)-----	2
50	2210090250	軸 Shaft -----	1

2. FT6539 / FT6539-2 / FT7039 / FT7039-2 上、下刀驅動機構列表
 Right Hand Upper And Lower Knives Driving Mechanism Components For
 FT6539 / FT6539-2 / FT7039 / FT7039-2



2. FT6539 / FT6539-2 / FT7039 / FT7039-2 上、下刀驅動機構列表
 Right Hand Upper And Lower Knives Driving Mechanism Components For
 FT6539 / FT6539-2 / FT7039 / FT7039-2

序號	物料編號	名稱	單位用量
Ref. No.	Parts Number	Description	Amt. Req.
51	8SN44400400A	螺絲 Screw (SH0104 11/64"-40*40) -----	2
52	2210000534	定位環 Collar -----	2
53	2210090253	彈簧 Spring -----	1
54	8MN03200300A	螺絲 Screw (C0115 M3-0.5*3)-----	4
55	2210090255	油封 Gasket -----	1
56	2210390256	曲柄 Lever -----	1
57	2210600135	變距偏心輪 Regulating Eccentric (Ft600135)-----	1
58	2210600136	進給偏心輪 Eccentric(FT600136) -----	1
59	221A0090256	連桿組 Connecting Rod Asm.-----	1
60	221A0090257	曲柄組 Lever Asm.-----	1
61	2100000526	墊圈 Washer -----	1
62	221A0000563	定位環組 Collar Asm. -----	2