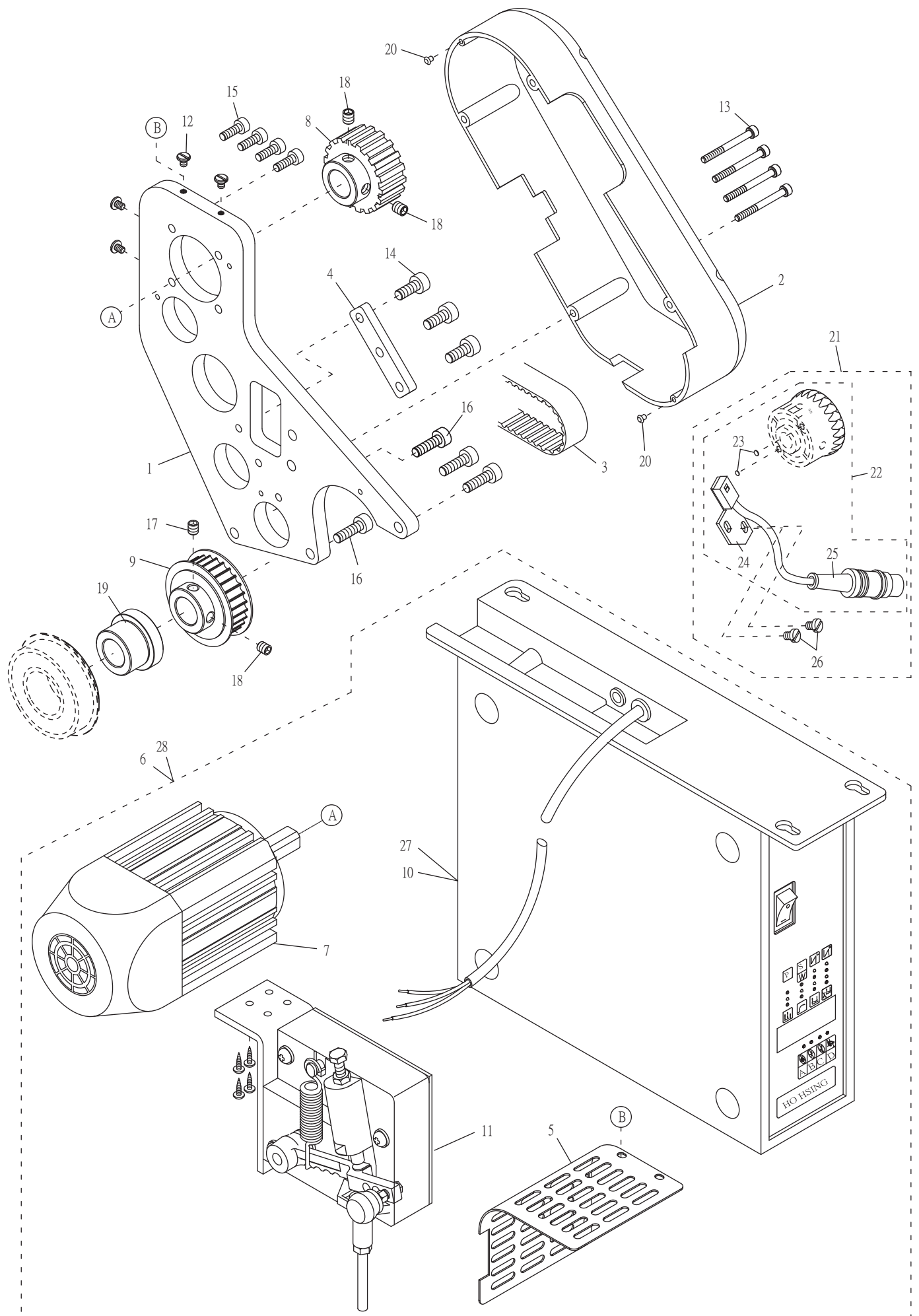


13.MN003 小型馬達MN003 Mini-Motor



13.MN003 小型馬達MN003 Mini-Motor

序號	物料編號	名稱	單位用量
Ref. No.	Parts Number	Description	Amt.Req.
1	4MN0030101	承座 Plunger -----	1
2	4MN0030102	護蓋 Cover -----	1
3	90TB5005GT	齒形皮帶 Timing Belt -----	1
4	4MN0010104	固定板 Plate -----	1
5	4MN0020105	護蓋 Cover -----	1
**6	4MN002A0106	小型馬達組 Mini-motor Asm. -----	1
7	4MN0010101	小型馬達 Mini-motor -----	1
8	4MN0010105	齒形皮帶輪 Timing Pulley -----	1
9	4MN0010106	齒形皮帶輪 Timing Pulley -----	1
**10	4MN0020110	控制盒 Control box -----	1
11	4MN0010108	腳踏板控制組 Foot Pedal Controller Asm. -----	1
12	8MB04280508A	螺絲 Screw (UTB20127 M4-0.7*5.5) -----	4
13	8MM04284007B	螺絲 Screw (CT1310 M4-0.7*40) -----	4
14	8MM06401510A	螺絲 Screw (MT0845 M6-1*15) -----	3
15	8MM05321609A	螺絲 Screw (RP0111 M5-0.8*16) -----	4
16	8MM06402010A	螺絲 Screw (S04-44 M6-1*20) -----	4
17	8MN06400800C	螺絲 Screw (CT0502 M6-1*8) -----	1
18	8MN06400600A	螺絲 Screw (CT0244 M6-1*6) -----	3
19	4MN0030119	套筒 Clutch Sleeve -----	1
20	22100001191	減震橡膠 Rubber Cushion -----	2
21	BS003	內藏式定位器組 Built-in Type Synchronize Asm. -----	1
22	4UTB02A0345	內藏式定位器組 Built-in Type Synchronize Asm. -----	1
23	4BS0030102	磁鐵 Magnet -----	2
24	4UTB020351	定位器支架 Synchronizer Bracket -----	1
25	4BS0030104	內藏式定位器組 Built-in Type Synchronize -----	1
26	8MB04280608A	螺絲 Screw (UTB0130 M4-0.7*6) -----	2
*27	4MN0010107	控制盒 Control Box -----	1
*28	4MN001A0109	小型馬達組 Mini-motor Asm. -----	1

* UFP用 For UFP Use

** UFE用 For UFE Use