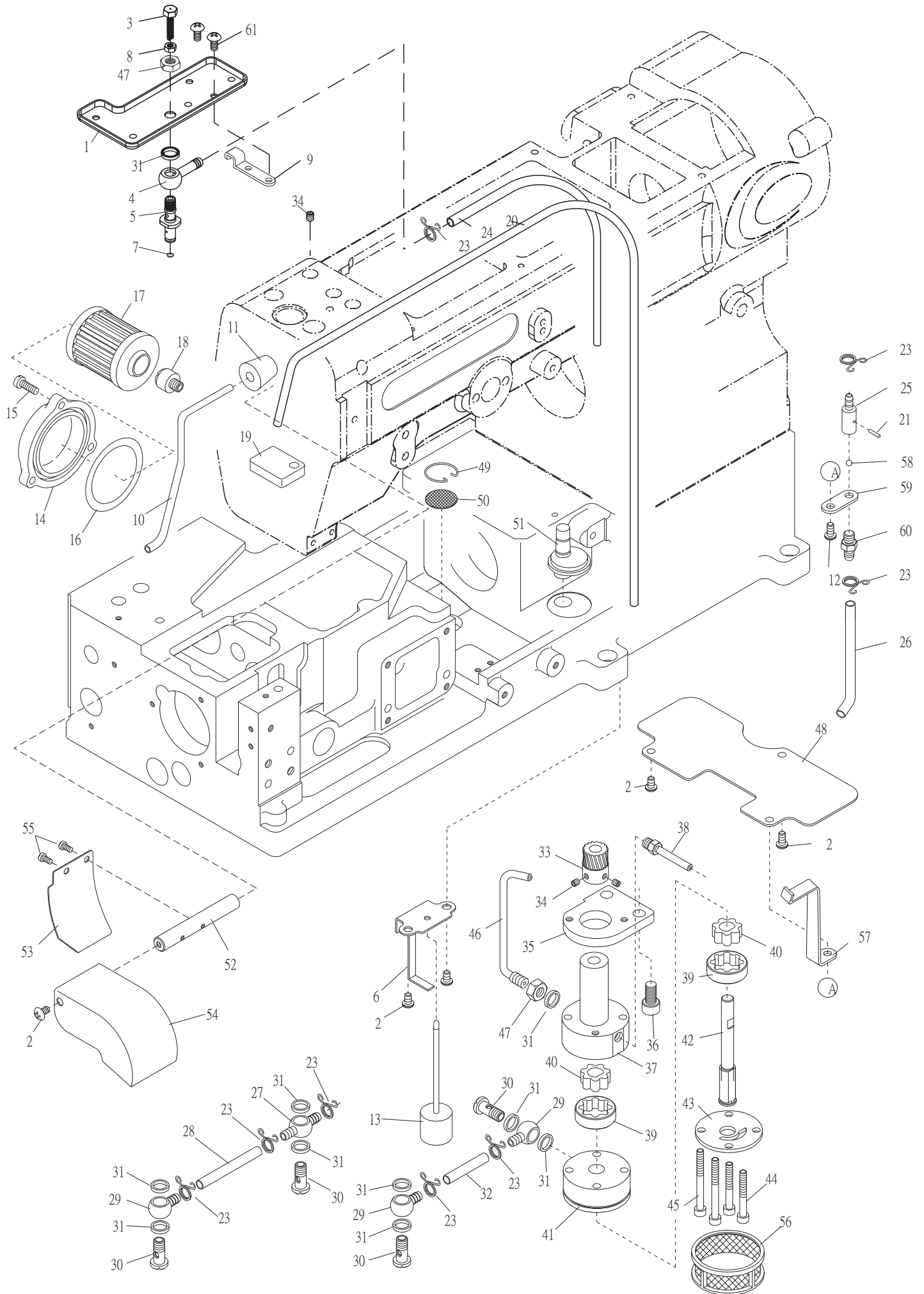


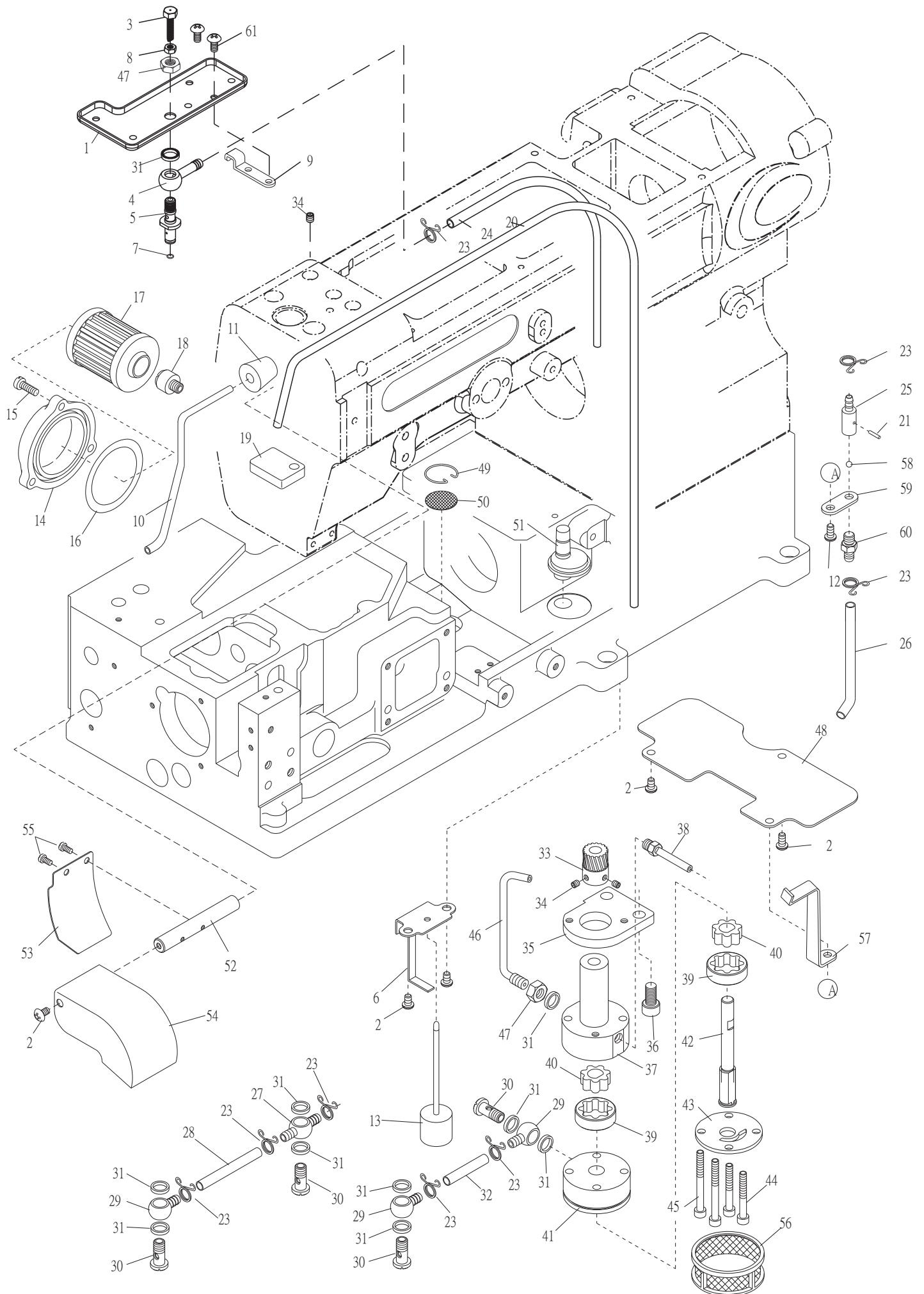
13. FTD7000 潤滑系統 Lubrication System For FtD7000



13. FTD7000 潤滑系統 Lubrication System For FTD7000

序號	物料編號	名稱	單位用量
Ref. No.	Parts Number	Description	Amt. Req.
1	2240001301	承油盤 Oil Receiver -----	1
2	8MC04280507D	螺絲 Screw (CT0122 M4-.7*5) -----	5
3	2240001303	噴油嘴 Nozzle -----	1
4	2240001304	油管接頭 Oil Tube Joint -----	1
5	2240001302	油管 Oil Tube -----	1
6	2210001306	浮標座 Indicator Support -----	1
7	90OR030	油環 Oil Rin -----	1
8	8MA85240306B	螺帽 Nut (FT020112 M3.5-0.6*2.8) -----	1
9	22400013051	檔片 Washer -----	1
10	2210001310	油管 Oil Tube -----	1
11	2210001311	孔塞 Plug -----	1
12	8MC04281007D	螺絲 Screw (CT0130 M4-0.7*10) -----	1
13	2210001313	油面浮標 Indicator -----	1
14	22000013111	封蓋 Oil Filter Cover -----	1
15	8MB04281207K	螺絲 Screw (CT0239 M4-0.7*12) -----	3
16	2200001313	O形油環 O Ring -----	1
17	2100001521	過濾器 Oil Filter -----	1
18	2200001315	過濾器接頭 Oil Filter Joint -----	1
19	2200001318	羊毛氈 Felt -----	1
20	66792	油管 Oil Tube -----	1
21	2220001331	銷 Pin -----	1
22	2210001322	油管 Oil Tube -----	1
23	2100001536	夾簧 Latch Spring (SH1536) -----	8
24	66790	油管 Oil Tube -----	1
25	2220001325	單向閥 One Way Valve -----	1
26	66790	油管 Oil Tube -----	1
27	2200001327	油管接頭 Oil Tube Joint -----	1
28	2200001328	油管 Oil Tube -----	1
29	2100001535	油管接頭 Oil Tube Joint (SH1535) -----	3
30	2100001533	螺樁 Stud -----	4
31	2100001534	墊圈 Washer -----	10
32	2200001332	油管 Oil Tube -----	1
33	2200001341	蝸母 Worm Gear -----	1
34	8MN04280400A	螺絲 Screw (CT0229 M4-0.7*40) -----	3
35	2200001352	泵座 Pump Seat -----	1
36	8MM06401210A	螺絲 Screw (FT1103 M6-1*12) -----	2
37	2200001353	回收泵 Pump Body -----	1
38	2200001344	油管 Oil Tube -----	1
39	2200001354	外轉子 Outside Rotor -----	2
40	2200001355	內轉子 Inside Rotor -----	2
41	2200001356	壓出泵 Rotor Case -----	1
42	2200001357	軸 Shaft -----	1
43	2200001358	封蓋 Cover -----	1
44	8MM04283007B	螺絲 Screw (CT1359 M4-0.7*30) -----	2
45	8MM04284007B	螺絲 Screw (CT1310 M4-0.7*40) -----	2
46	2200001346	噴油嘴 Nozzle -----	1
47	8MA06400510A	螺帽 Nut (CT0533 M6-1*5) -----	2
48	2210001348	隔板 Separate -----	1
49	2200001316	扣簧 Filter Screen Clamp -----	1
50	2200001317	網板 Filter Screen -----	1

13. FTD7000 潤滑系統 Lubrication System For FtD7000



### 13. FTD7000 潤滑系統 Lubrication System For FTD7000

序號	物料編號	名稱	單位用量
Ref. No.	Parts Number	Description	Amt. Req.
51	2210001351	油面計 Oil Wick -----	1
52	2210001352	軸 Shaft -----	1
53	2210001353	防油蓋 Cover -----	1
54	2210001354	防油蓋 Cover -----	1
55	8MB03200506K	螺絲 Screw (CT0525 M3-0.5*5) -----	2
56	2200001366	油網 Oil Mesh -----	1
57	2200001348	油管支撐臂 Oil Tube Holder -----	1
58	2220001349	鋼珠 Steel ball -----	1
59	2220001339	止回閥座 Bracket -----	1
60	2220001340	油嘴 Oil Tube Joint -----	1
61	8MC04280807D	螺絲 Screw (CT0130 M4-0.7*8) -----	2