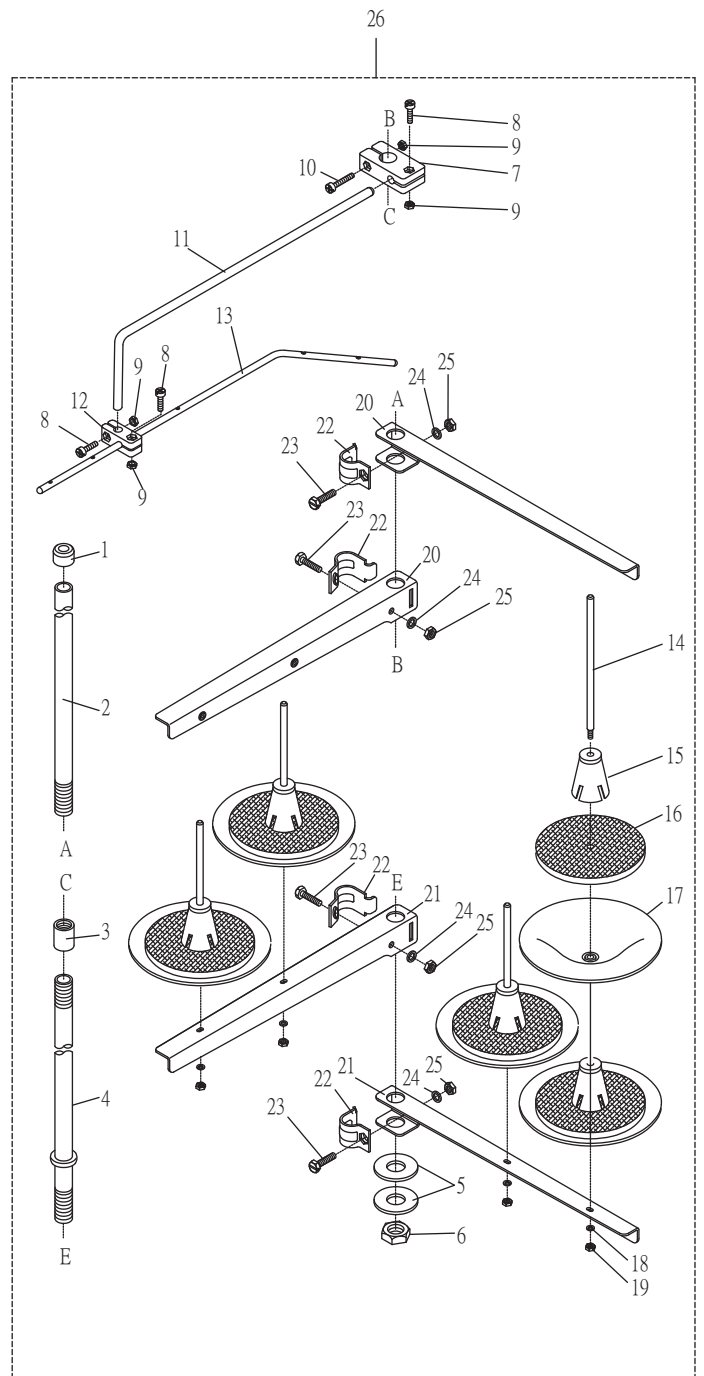
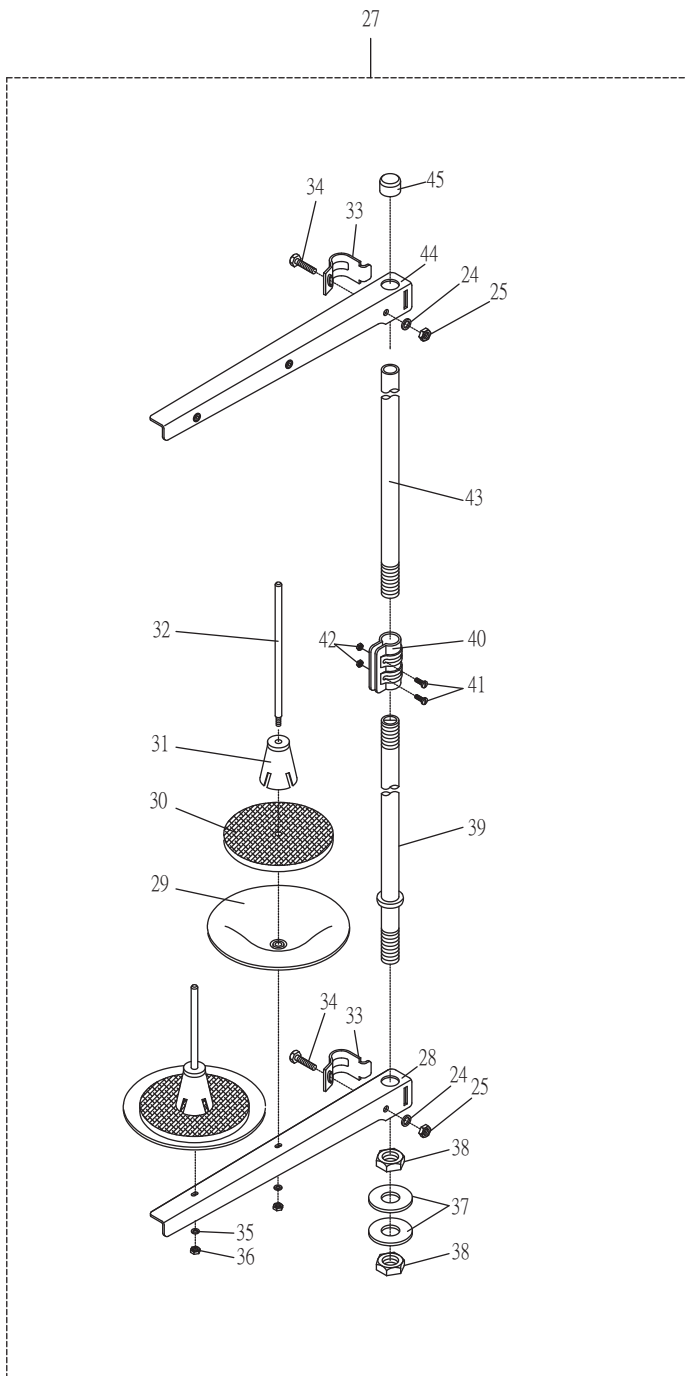


15. 667091&66706 線架 Thread Stand Mechanism (MT4001-4004)



零件用量列表 Amt. Req.

序號 Ref. No.	Model 機型	MT 4001-4002	MT 4004
	24		2
25		2	4

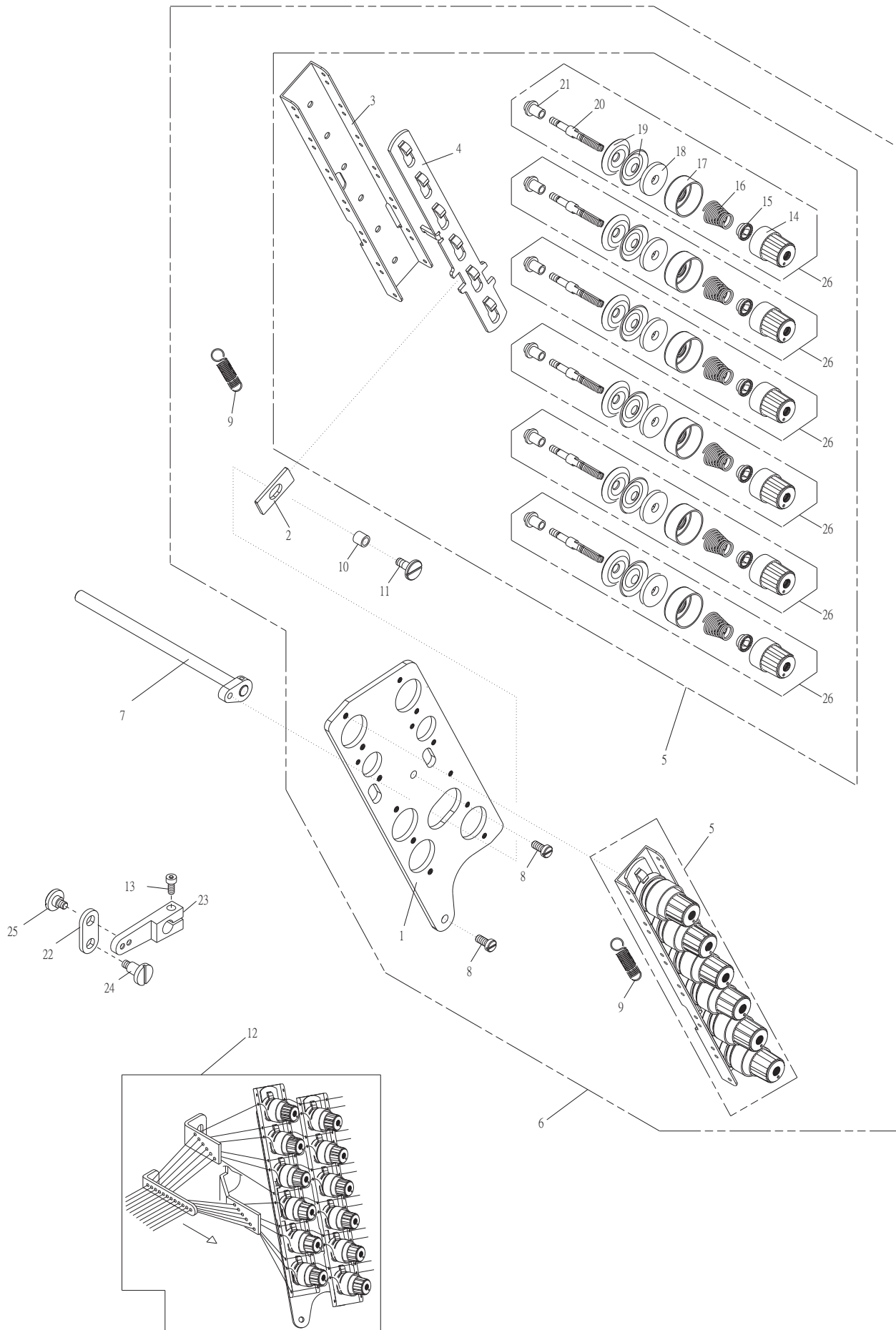
15. 667091&66706 線架 Thread Stand Mechanism (MT4001-4004)

序號	物料編號	名稱	單位用量
Ref. No.	Parts Number	Description	Amt. Req.
◎1	667051	柱帽Rod Cup -----	1
◎2	667052	上柱Upper Thread Stand Rod -----	1
◎3	667053	接頭Joint -----	1
◎4	667054	下柱Lower Thread Stand Rod -----	1
◎5	667055	墊圈Washer -----	2
◎6	667056	螺帽Nut -----	1
◎7	667057	接頭Bracket -----	1
◎8	667058	螺絲Screw -----	3
◎9	667059	螺帽Nut -----	4
◎10	6670510	螺絲Screw -----	1
◎11	6670511	旋臂Arm -----	1
◎12	6670512	接頭Bracket -----	1
◎13	6670513	導線桿Thread Guide -----	1
◎14	6670515	線盤軸Spool Pin -----	4
◎15	6670516	定心錐Spool Retaining Fig -----	4
◎16	6670517	緩衝墊Seat -----	4
◎17	6670518	線盤Spool Set -----	4
◎18	6670519	彈簧墊圈Spring Washer -----	4
◎19	6670520	螺帽Nut -----	4
◎20	6670531	導線臂Thread Arm -----	2
◎21	667061	線盤座Spool Set Bracket -----	2
◎22	6670523	夾板Clamp -----	4
◎23	6670524	螺絲Screw -----	4
◎24	6670525	彈簧墊圈Spring Washer -----	-
◎25	6670526	螺帽Nut -----	-
◎26	66706	線架組Thread Stand Asm (MT4004)-----	1
◎27	667091	線架組Thread Stand Asm (MT4001-MT4002)-----	1
◎28	667092	線盤座Spool Set Bracket -----	1
◎29	667093	線盤Spool Set -----	2
◎30	667094	緩衝墊Seat -----	2
◎31	667095	線盤軸Spool Pin -----	2
◎32	667096	定心錐Spool Retaining Fig -----	2
◎33	667097	夾板Clamp -----	2
◎34	667098	螺絲Screw -----	2
◎35	667099	彈簧墊圈Spring Washer -----	2
◎36	6670910	螺帽Nut -----	2
◎37	6670911	墊圈Washer -----	2
◎38	6670912	螺帽Nut -----	2
◎39	6670913	下柱Lower Thread Stand Rod -----	1
◎40	6670914	夾板Clamp -----	1
◎41	6670915	螺絲Screw -----	2
◎42	6670916	螺帽Nut -----	2
◎43	6670917	上柱Upper Thread Stand Rod -----	1
◎44	6670918	導線臂Thread Arm -----	1
◎45	6670919	孔塞Cap -----	1

16. 66711-5 線架 Thread Stand Mechanism (MT4006-4012)

序號	物料編號	名稱	單位用量
Ref. No.	Parts Number	Description	Amt. Req.
◎1	66711501	導線桿 Thread Guide -----	2
◎2	66711502	支架 Holder -----	4
◎3	66711503	導線 Thread Guide -----	48
◎4	66711504	螺絲 Screw -----	16
◎5	66711505	螺帽 Nut -----	6
◎6	66711506	柱 Thread Stand Rod -----	2
◎7	66711507	旋臂 Arm -----	1
◎8	66711508	接頭 Joint -----	1
◎9	66711509	線盤座 Spool Set Bracket -----	2
◎10	66711510	軸襯 Bushing -----	2
◎11	66711511	螺樁 Stud -----	2
◎12	66711512	螺帽 Nut -----	2
◎13	66711513	螺絲 Screw -----	6
◎14	66711514	基座 Base -----	2
◎15	66711515	線盤 Spool Set -----	12
◎16	66711516	緩衝墊 Seat -----	12
◎17	66711517	線盤軸 Spool Pin -----	12
◎18	66711518	線盤軸 Spool Pin -----	12
◎19	66711519	彈簧墊圈 Spring Washer -----	12
◎20	66711520	螺帽 Nut -----	12
◎21	66711521	螺絲 Screw -----	1
◎22	66711522	螺絲 Screw -----	1
◎23	66711523	螺帽 Nut -----	2

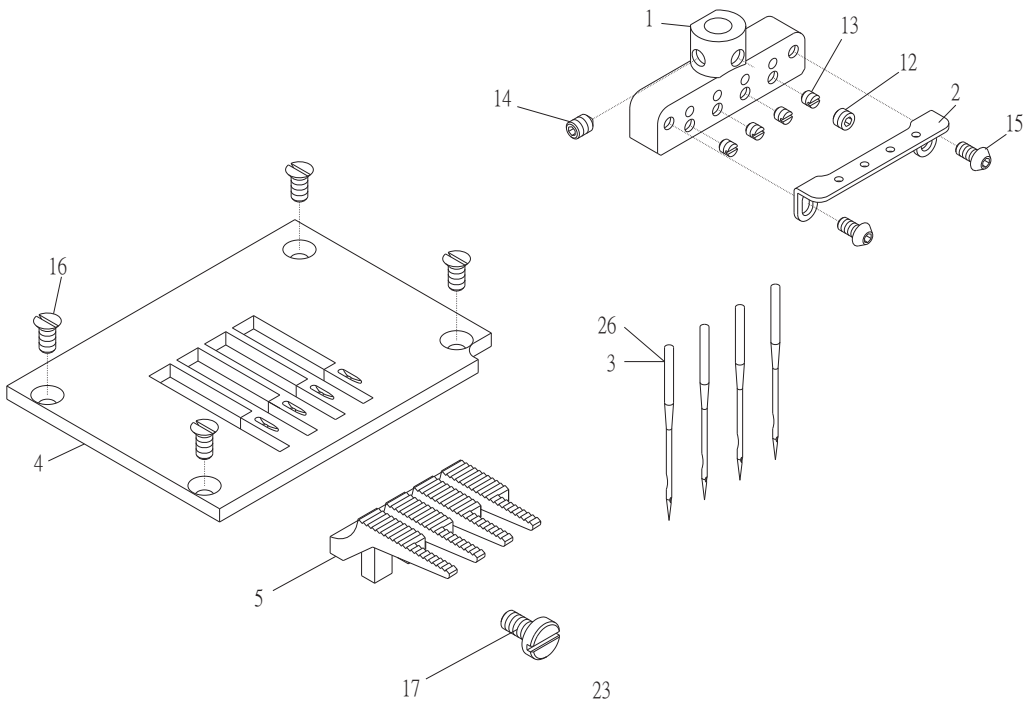
17. MT4006-4012 鬆線機構 Tension Stand Mechanism(MT4006-4012)



17. MT4006-4012 鬆線機構 Tension Stand Mechanism(MT4006-4012)

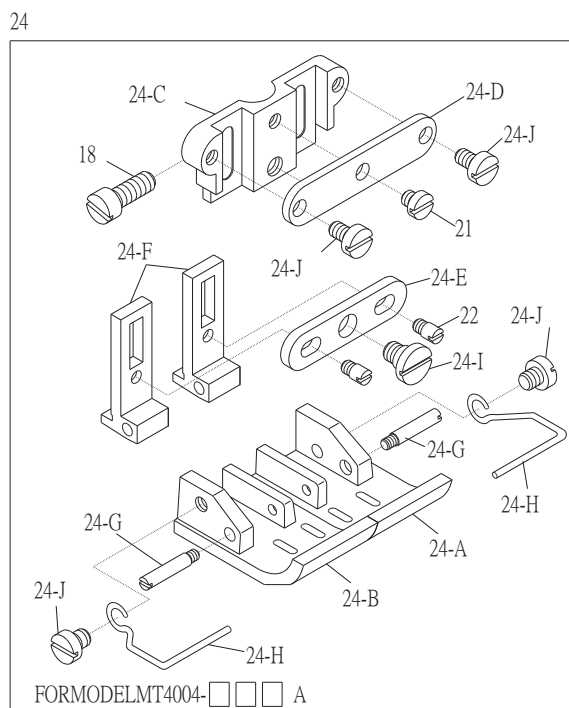
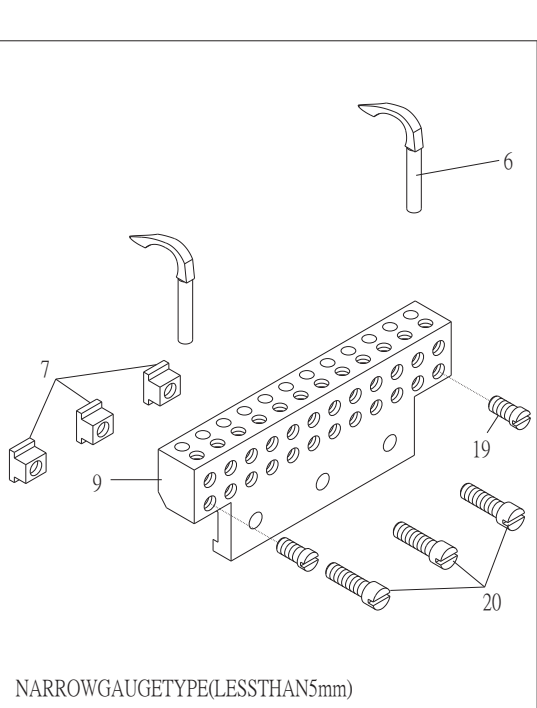
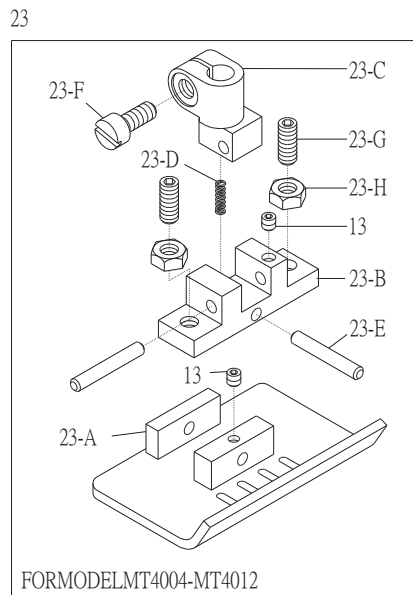
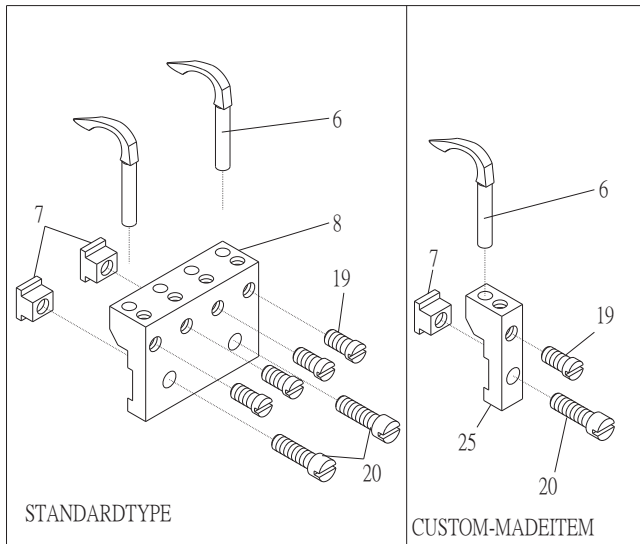
序號	物料編號	名稱	單位用量
Ref. No.	Parts Number	Description	Amt. Req.
1	2320001701	鬆線座 Tension Post Support-----	1
2	2320001702	活動片 Plate -----	1
3	2320001703	導線座 Tension Post Support-----	2
4	2320001704	鬆線板 Release Wedge-----	2
5	232A0001705	鬆線組 Thread Tension Mechanism -----	2
6	232A0001706	鬆線組 Thread Tension Mechanism -----	1
7	2310001905	軸 Shaft -----	1
8	8MC05321208A	螺絲 Screw (M5-0.8*12) (MT0332) -----	2
9	2310000310	彈簧 Spring -----	2
10	2310001910	隔環 Spacer (See left Page) (CT03091)-----	1
11	2310001911	螺樁 Stud (See left Page) (CT03081)-----	1
12	66441-2	貼紙 Paster-----	1
13	8MK95301407A	螺絲 Srew-----	1
14	2100001121B	張力調整螺帽 Tension Nut (Blue) (SH1121) -----	12
15	2200000303	套管 Bushing (See left Page) (SH1122)-----	12
16	2100001132	彈簧 Spring (Blue) (SH1132)-----	12
17	2200000305	彈簧座 Spring Seat (See left Page)(CT0305) -----	12
18	2100001127	羊毛氈 Felt (See left Page)(SH1127) -----	12
19	2100001126	張力控制盤 Tension Disc (See left Page)(SH1126) -----	24
20	22000003081	螺樁 Stud (See left Page) -----	12
21	22000003091	隔環 Spacer (See left Page) -----	12
22	2310000341	連桿 Link-----	1
23	2310000342	曲柄 Lever-----	1
24	2310000343	螺樁 Stud-----	1
25	2310000344	螺樁 Stud-----	1
26	231A0001923	張力調整組 Tension Asm (Blue) -----	6

18. 定規零件 Gauge Parts



23-A PRESSFOOT

MODEL	NEEDLE DISTANCE	PARTSNO.
MT4001		5231PF0101A
MT4004	3/4"	5231PF0401A
	1"	5231PF0403A
	1-1/8"	5231PF0405A
	1-1/4"	5231PF0406A
	1-1/2"	5231PF0408A
	1/4-3/4-1/4	5231PF0411A
	3/16-3/4-3/16	5231PF0412A
	1/4-1-1/4	5231PF0413A
MT4006	3/16-1-3/16	5231PF0414A
	1/4-1/2-1/4	5231PF0415A
	1/4"	5231PF0601A
MT4009	3/8"	5231PF0602A
	1/3"	5231PF0603A
MT4012	1/4"	5231PF0901A
	3/16"	5231PF1201A
	1/4"	5231PF1202A
	5mm	5231PF1203A



24-A PRESSFOOT

MODEL	NEEDLE DISTANCE	PARTSNO.
MT4004	3/4"	5231PF0402A
	1"	5231PF0404A
	1-1/8"	5231PF0410A
	1-1/4"	5231PF0407A
	1-1/2"	5231PF0409A

24-B PRESSFOOT

MODEL	NEEDLE DISTANCE	PARTSNO.
MT4004	3/4"	5231PF0402B
	1"	5231PF0404B
	1-1/8"	5231PF0410B
	1-1/4"	5231PF0407B
	1-1/2"	5231PF0409B

3 NEEDLEREQ.

MODEL	NO.	QTY	MODEL	NO.	QTY
MT4001	1		MT4004	4	
MT4006	6		MT4009	9	
MT4012	12				

18. 定規零件 Gauge Parts

序號 Ref. No.	物料編號 Parts Number	名稱 Description	單位用量 Amt. Req.
1	-----	針留 Needle Clamp -----	1
2	-----	導線 Thread Guide -----	1
3	66729-14	針 Uo113 #14 Needle -----	1
4	-----	針板 Needle Plate -----	1
5	-----	狗齒 Feed Dog -----	1
6	5232LL0001	結線鉤 Retainer Lopper -----	-
7	2310001807	承座 Bracker -----	-
8	-----	結線鉤座 Looper Holder -----	1
9	-----	結線鉤座 Looper Holder -----	1
10	-----	-----	-
11	-----	-----	-
12	8MN04280500C	螺絲 Screw (FT1222 M4-0.7*5) -----	1
13	8SN32440300A	螺絲 Screw (US0360110 1/8"-44*2.5) -----	-
14	8MN04280400A	螺絲 Screw (CT0229 M4-0.7*4) -----	1
15	8MP03200606A	螺絲 Screw (MT0142 M3-0.5*6) -----	2
16	8SE36400806A	螺絲 Screw (SH0530 9/64"-40*8) -----	4
17	8SC44400909S	螺絲 Screw (MT1817 11/64"-40*6) -----	1
18	8MB95301107A	螺絲 Screw (CT0706 M4.5-0.75*12) -----	1
19	8SC36400705K	螺絲 Screw (MT1819 9/64"-40*7) -----	-
20	8SB36401205K	螺絲 Screw (MT1820 9/64"-40*12) -----	-
21	8MB85240406K	螺絲 Screw (PMD010166 M3.5-0.6*4) -----	1
22	8MB03200304M	螺絲 Screw (MT1827 M3-0.5*3) -----	2
23	-----	壓腳 Presser Foot -----	1
23-A	-----	壓腳底 Presser Foot Guide (See Left Page)-----	-
23-B	5231PF0401B	壓腳連桿 Presser Foot Link -----	1
23-C	5231PF0401C	壓腳柄 Presser Foot Arm -----	1
23-D	5231PF0401D	壓縮彈簧 Spring -----	1
23-E	5231PF0401E	固定銷 Pin -----	-
23-F	8MB04281007K	螺絲 Screw (CT1237 M4-0.7*10) -----	-
23-G	8MN04281000A	螺絲 Screw (CT0216 M4-0.7*10) -----	2
23-H	8MA04280307A	螺帽 Nut (CT0238 M4-0.7*3) -----	2
24	-----	壓腳 Presser Foot -----	1
24-A	-----	壓腳底(右) Presser Foot Guide (Right) (See Left Page)-----	-
24-B	-----	壓腳底(左) Presser Foot Guide (Left) (See Left Page)-----	-
24-C	5231PF0404C	壓腳座 Presser Foot Bracket -----	1
24-D	5231PF0404D	檔片 Plate -----	1
24-E	5231PF0404E	連桿 Link -----	1
24-F	5231PF0404F	滑塊 Bracket -----	2
24-G	5231PF0404G	銷 Pin -----	2
24-H	5231PF0404H	護指環 Safety Plate Holder -----	2
24-I	5231PF0404I	螺絲 Screw (M4.5-0.75*4) -----	1
24-J	8MB85240607K	螺絲 Screw (CT0637 M3.5-0.6*6) -----	4
25	2310001828	結線鉤座 Looper Holder -----	1
26	66729-18	針 UO113 #18 Needle -----	1

* For MT4512 Bigger Eyelet Hole