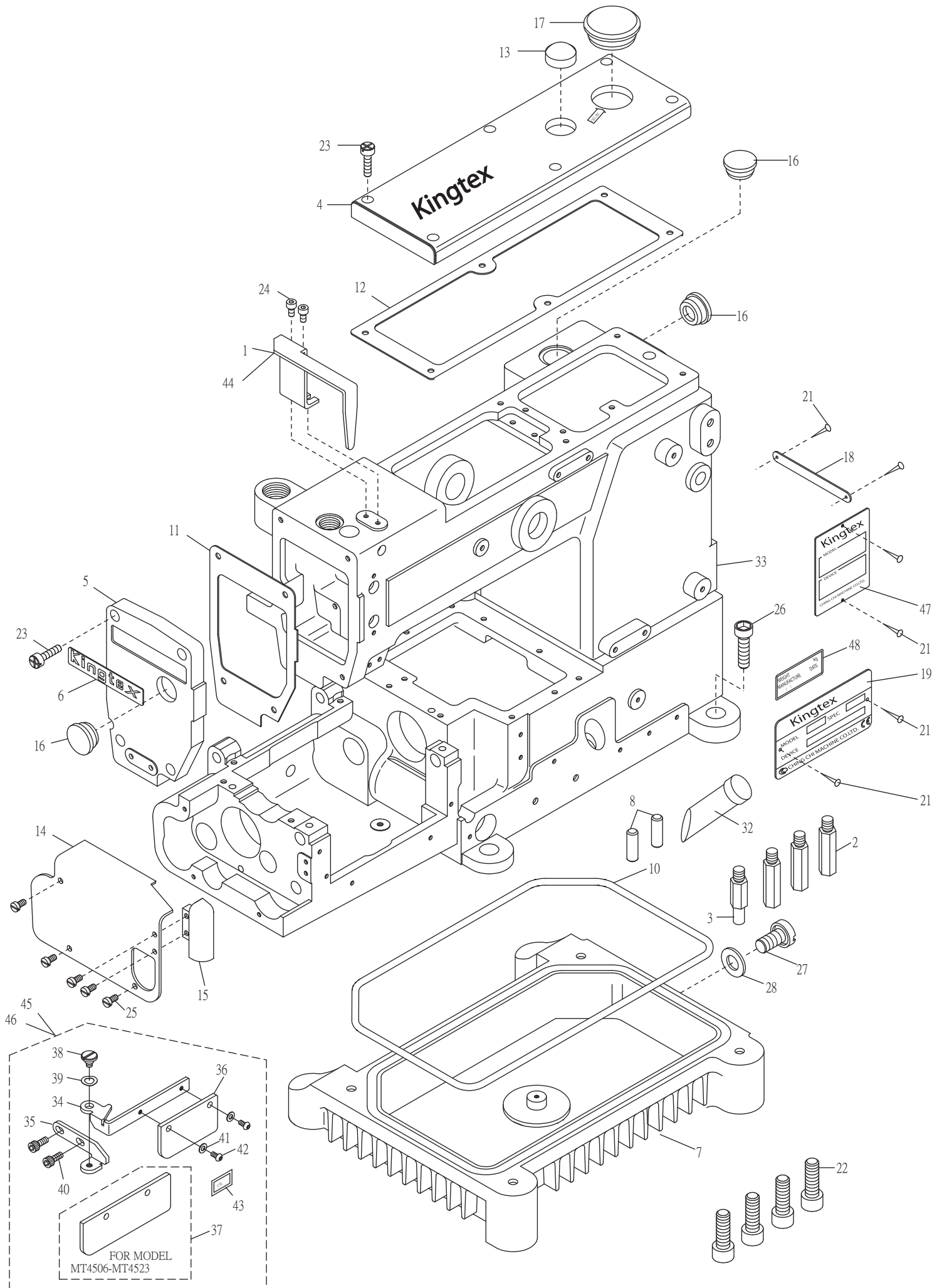


# 1.本體與外裝零件(一) Frame And Cover (一)

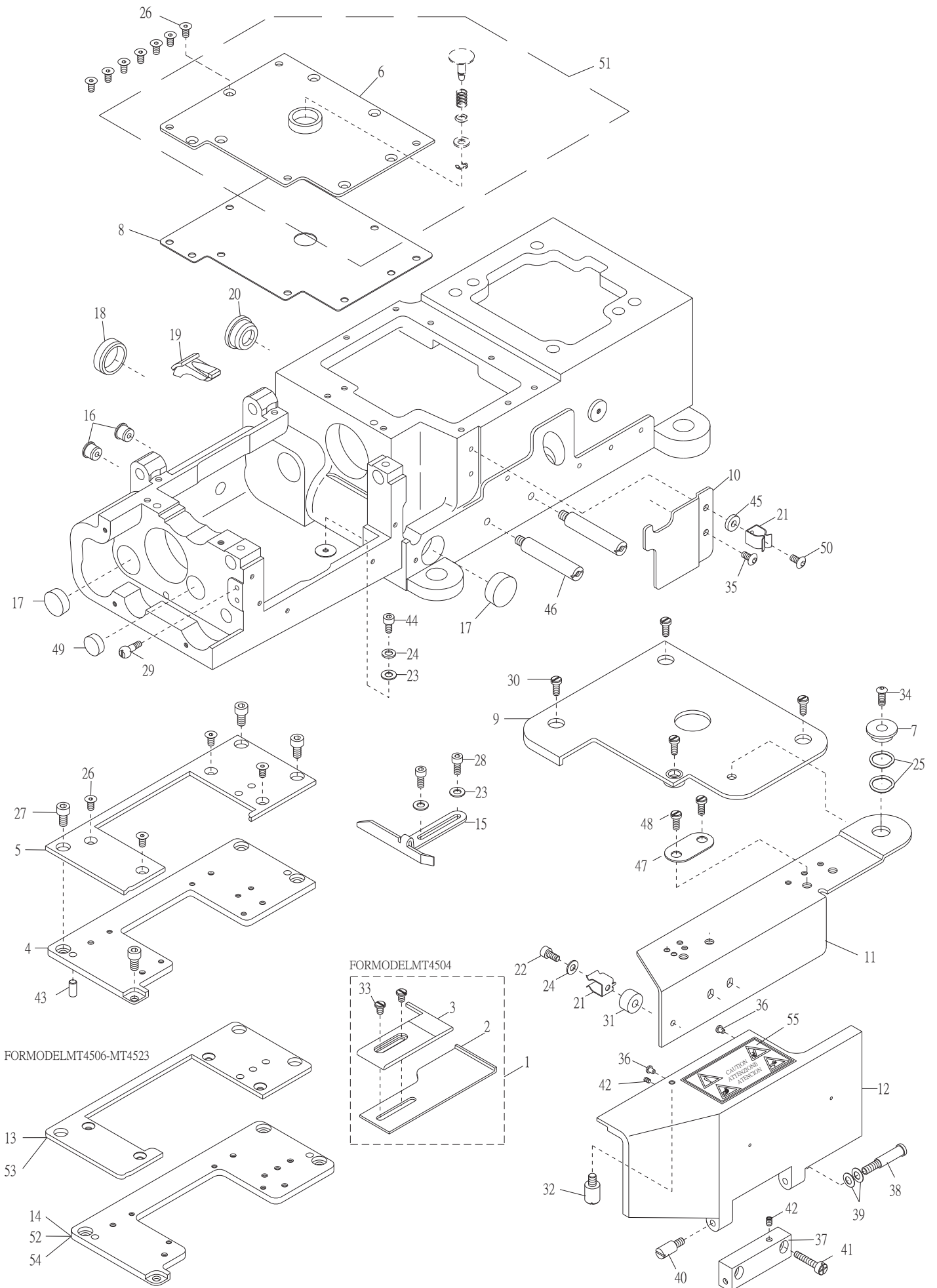


1.本體與外裝零件(一) Frame And Cover (一)

序號	物料編號	名稱	單位用量
Ref. No.	Parts Number	Description	Amt.Req.
*1	2310000101	針棒護蓋 Needle Cover -----	1
2	2310000102	下座腳樁 Supporting Bar -----	3
3	2310000103	下座腳樁 Supporting Bar -----	1
4	2310000104	上軸蓋 Top Cover -----	1
5	2310000105	針棒蓋 Needle Cover -----	1
6	2310000106	銘板 Plate -----	1
7	2310000107	油盤 Oil Reservoir -----	1
8	2310000108	銷 Pin -----	2
9	-----	-----	-
10	2310000110	油封 Gasket -----	1
11	2310000111	油封 Gasket -----	1
12	2310000112	油封 Gasket -----	1
13	2310000113	油鏡 Oil Window -----	1
14	2310000114	下座外蓋 Cloth Plate -----	1
15	2310000115	定位塊 Bracket -----	1
16	23100001161	孔塞 Plug -----	3
17	22000001051	孔塞 Plug (CT0105)-----	1
18	66477-1	機器號碼牌 Machine No. Plate -----	1
19	66485-2	車型銘板 Plate -----	1
20	-----	-----	4
21	66620	鉚釘 Rivet -----	-
22	8MM08502513A	螺絲 Screw (M8-1.25*25) (Mt0122)-----	4
23	8MC04281207D	螺絲 Screw (CT0102 M4-0.7*12)-----	10
24	8MM04280807A	螺絲 Screw (M4-0.7*8) (MT0124)-----	2
25	8MB04280807K	螺絲 Screw (CT0215 M4-0.7*8) -----	5
26	8MM08502013A	螺絲 Screw (CT0106 M8-1.25*20) -----	4
27	8SM95281017A	螺絲 Screw (SH0243 3/8"-28*10) -----	1
28	2100000244	墊圈 Washer (SH0244)-----	1
29	-----	-----	-
30	-----	-----	-
31	-----	-----	-
32	2110001507	油面鏡 Oil Sign Gauge (R6031507) -----	1
33	2310000133	車頭 Frame Unit -----	1
34	2310000134	護目鏡支架 Bracket -----	1
35	2310000135	固定座 Bracket -----	1
36	2310000136	護目鏡 Safety Plate (MT4504) -----	1
*37	2310000137	護目鏡 Safety Plate (MT4506-4523) -----	1
38	2310000138	螺樁 (Stud)-----	1
39	2310000139	波形墊圈 Washer -----	1
40	8MM04281007A	螺絲 Screw (FT0203 M4-0.7*10) -----	2
41	90PW030	墊圈 Washer (CT030211) -----	2
42	8MP03200606A	螺絲 Screw (MT0142 M3-0.5*6) -----	2
43	66451	貼紙 Paster -----	1
44	2310000144	針棒護蓋 Needle Cover -----	1
45	231A0000145	護目鏡支架組 Bracket Asm (MT4504) -----	1
*46	231A0000146	護目鏡支架組 Bracket Asm (MT4506-4523)-----	1
*47	66477-3	銘板 Plate -----	1
48	66477-4	重量貼紙 Weight Paster -----	1

\* For MT4506-MT4523 Use.

## 2.本體外裝零件 Frame Components (二)



## 2.本體外裝零件 Frame Components (二)

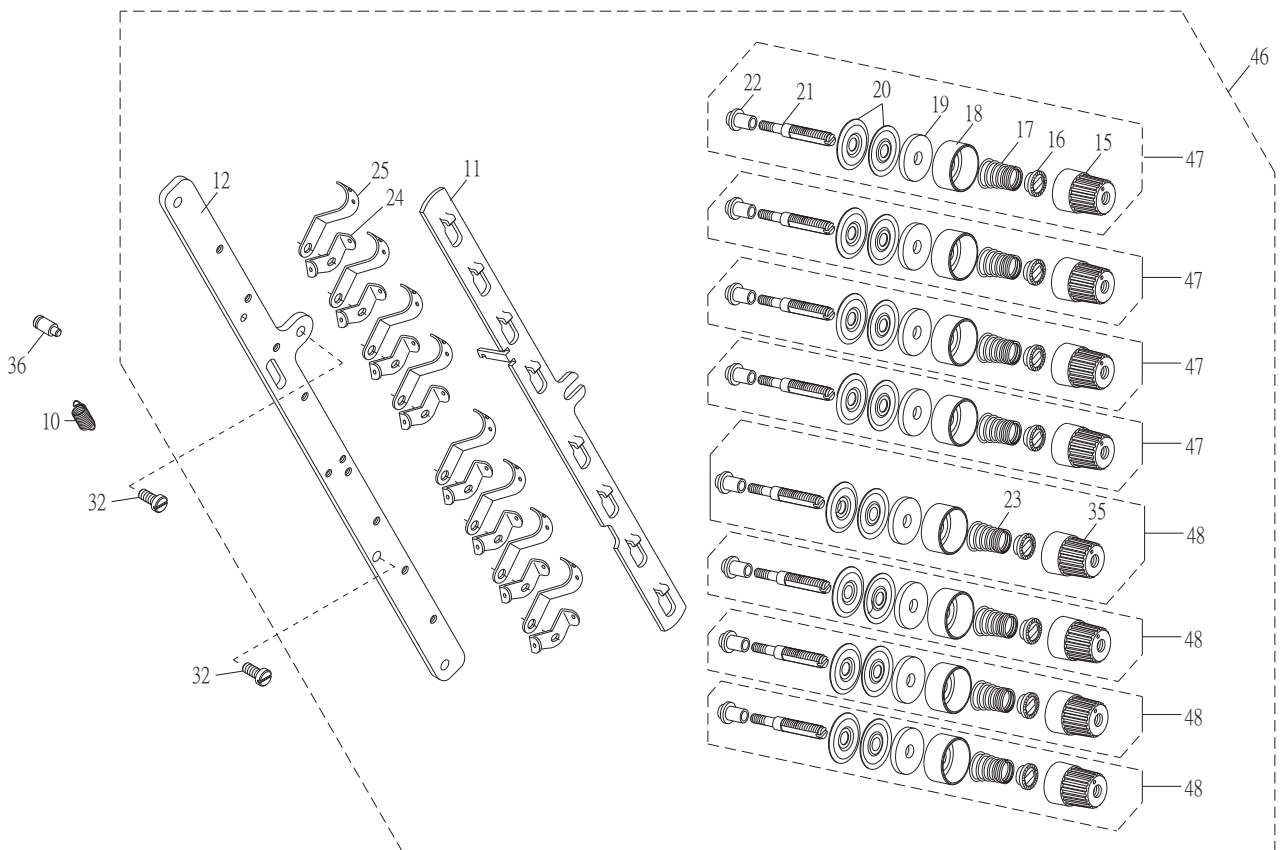
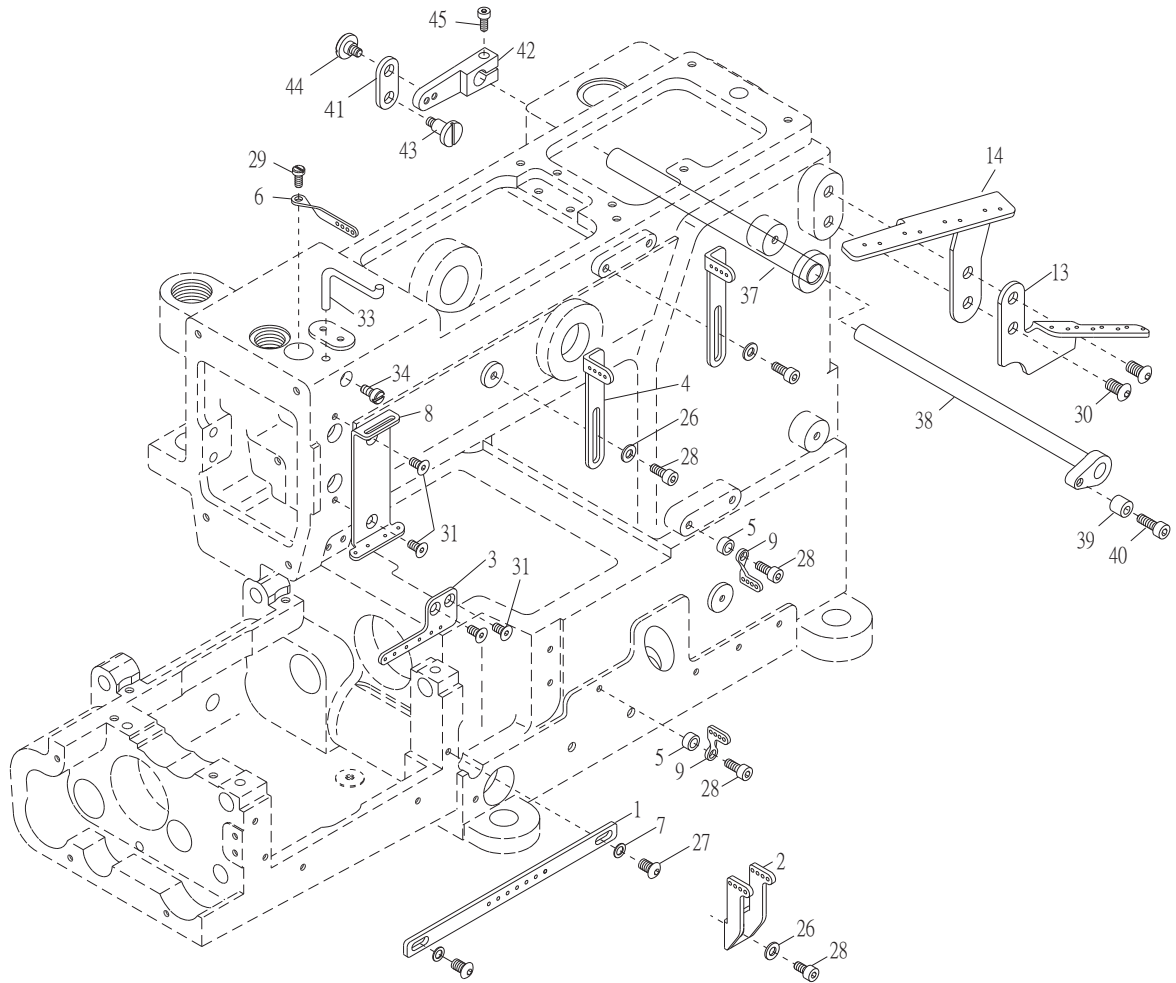
序號	物料編號	名稱	單位用量
Ref. No.	Parts Number	Description	Amt.Req.
1	231A0000201	導模組 Edge Guide Asm. (MT4504)	1
2	2310000202	導模 Edge Guide	1
3	2310000203	導模 Edge Guide	1
4	2310000204	針板座 Needle Plae Seat	1
5	2310000205	封蓋 Cover	1
6	2310000206	下軸內蓋 Lower Shaft Cover	1
7	2310000207	隔環 Spacer	1
8	2310000208	防漏墊片 Gasket	1
9	2310000209	下座外蓋 Cloth Plate	1
10	2310000210	檔片 Defender	1
11	2310000211	下座前蓋 Cloth Plate	1
12	2310000212	前蓋 Front Cover	1
*13	2310000213	封蓋 Cover	1
*14	2310000214	針板座 Needle Plate Seat	1
15	2310000215	導模 Edge Guide	1
16	22000001091	孔塞 Plug (Ct0109)	2
17	23100002171	孔塞 Plug	2
18	22000002451	孔塞 Plug (CT0245)	1
19	23100002191	孔塞 Plug	1
20	23100001161	孔塞 Plug	1
21	2200000121	夾簧 Latch Spring (CT0121)	2
22	8MM04281207A	螺絲 Screw (M4-0.7*12) (CT0202)	1
23	2100000223	墊圈 Washer (CT0232)	3
24	90SW040	彈簧墊圈 Spring Washer (UTB0317)	2
25	2310000225	波形墊圈 Corrugated Washer	2
26	8MQ04280808A	螺絲 Screw (UTB0109 M4-0.7*8)	11
27	8MM05321009A	螺絲 Screw (CT0626 M5-0.8*10)	4
28	8MM04281007A	螺絲 Screw (FT0203 M4-0.7*10)	2
29	8MD04281008C	螺絲 Screw (M4-0.7*5) (MT0229)	1
30	8MB04281007K	螺絲 Screw (CT1237 M4-0.7*10)	4
31	2310000231	隔環 Spacer	1
32	2310000232	銷 Pin	1
33	8MB04280607K	螺絲 Screw (M4-0.7*6) (MT0233)	2
34	8MP06401011A	螺絲 Screw (M6-1*10) (MT0234)	1
35	8MP04280808A	螺絲 Screw (M4-0.7*8) (MT0235)	1
36	22100001191	減震橡膠 Rubber Cushion (Ft0119)	2
37	2200000224	絞鏈 Hinge (CT0224)	1
38	8MB04283809E	螺樁 Stud (M4-0.7*38)(CT0227)	1
39	2200000228	孟形墊圈 Washer (CT0228)	2
40	8MB04280605M	螺絲 Screw (CT0230 M4-0.7*6)	1
41	8MC04281407D	螺絲 Screw (M4-0.7*14) (CT0225)	2
42	8MN04280400A	螺絲 Screw (M4-0.7*4) (CT0229)	3
43	2210090209	定位銷 Pin (FT0238)	2
44	8MM04280807A	螺絲 Screw (M4-0.7*8) (MT0124)	1
45	2310000245	隔環 Spacer	1
46	2310000246	支撐桿 Support ing Rod	2
47	2310000247	墊片 Washer	1
48	8MC06400810A	螺絲 Screw (M4-0.7*4) (MT0248)	2
49	23100002491	孔塞 Plug	1
50	8MP04281008A	螺絲 Screw (M4-0.7*10) (MT0250)	1
51	231A0000251	下軸內蓋組 Lower Shaft Cover Asm	1
**52	2310000252	針板座 Needle Plate Seat	1
***53	2310000253	封蓋 Cover	1
***54	2310000254	針板座 Needle Plate Seat	1
54	66455	貼紙 Paster	1

\* MT4506-MT4523 用For MT4506-MT4523 Use

\*\* MT4513P□-064 用For MT4513P□-064 Use

\*\*\*: MT4525 用 For Mt4525 Use

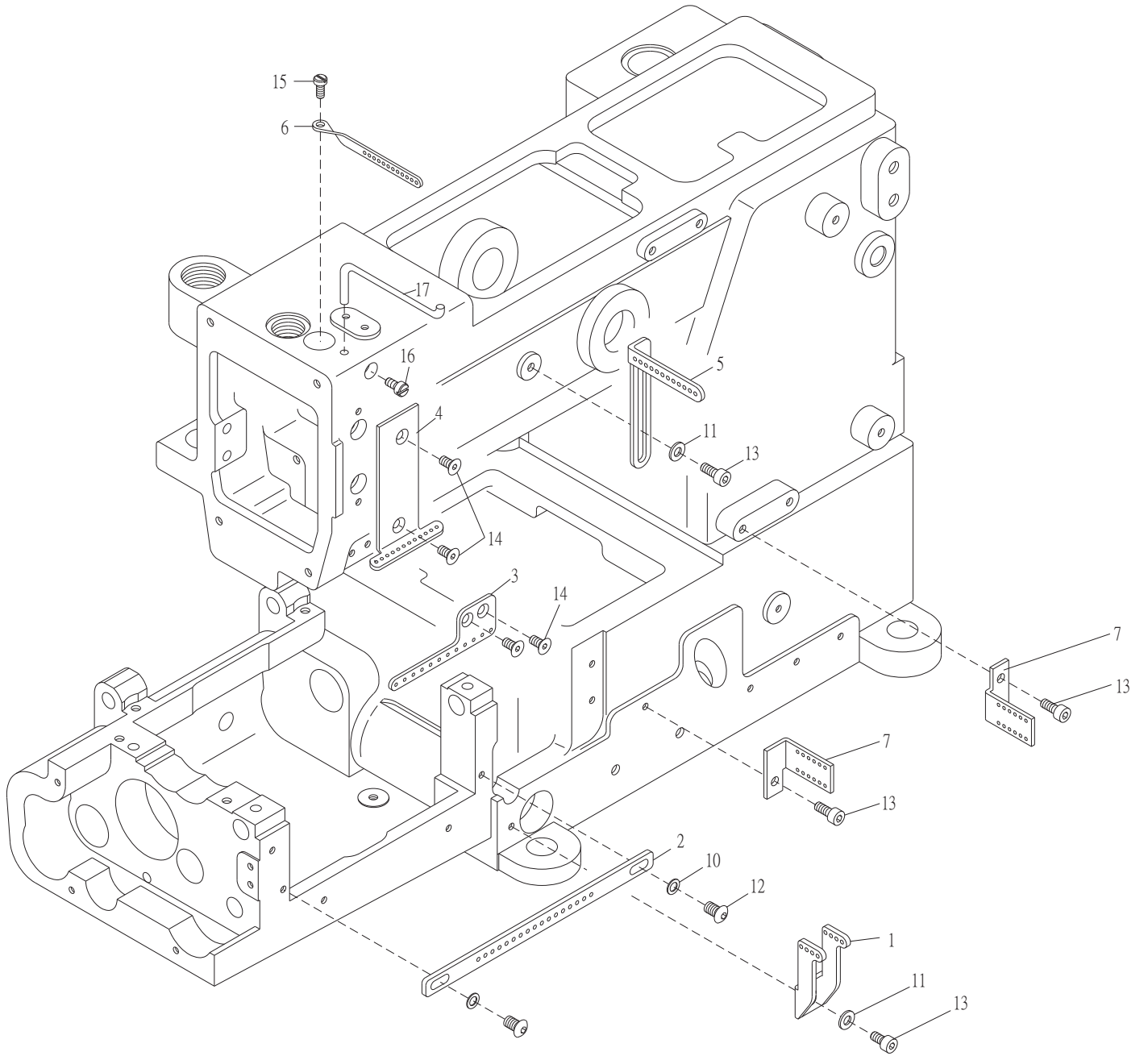
### 3. MT4504 張力調整零件 Thread Tension Mechanism For MT4504



### 3. MT4504 張力調整零件 Thread Tension Mechanism For For MT4504

序號	物料編號	名稱	單位用量
Ref. No.	Parts Number	Description	Amt. Req.
1	2310000301	導線Thread Guide -----	1
2	2310000302	導線Thread Guide -----	1
3	2310000303	導線Thread Guide -----	1
4	2310000304	導線Thread Guide -----	2
5	2310000305	定位環Collar -----	2
6	23100003061	導線Thread Guide -----	1
7	2100000640	墊圈Washer (SH0640) -----	2
8	2310000308	導線Thread Guide -----	1
9	2310000309	導線Thread Guide -----	2
10	2310000310	彈簧Spring -----	1
11	2310000311	鬆線板Release Wedge -----	1
12	2310000312	導線座Tension Post Support -----	1
13	2310000313	導線Thread Guide -----	1
14	2310000314	導線Thread Guide -----	1
15	2100001121	張力調整螺帽Tension Nut (Red) (SH1121) -----	4
16	2200000303	套管Bushing (CT0303) -----	8
17	2100001123	彈簧Spring (Red) (SH1123) -----	4
18	2200000305	彈簧座Spring Set (CT0305) -----	8
19	2100001127	羊毛氈Felt (SH1127) -----	8
20	2100001126	張力控制盤Tension Disc (SH1126) -----	16
21	22000003081	螺樁Stud -----	8
22	22000003091	隔環Spacer -----	8
23	2100041131	彈簧Spring (Yellow) (SH1131) -----	4
24	2200000311	導線Thread Guide (CT0311) -----	8
25	2200000312	導線Thread Guide (CT0312) -----	8
26	2100000223	墊圈Washer (CT0232) -----	3
27	8MP04280808A	螺絲Screw (M4-0.7*8) (MT0235) -----	2
28	8MM04281007A	螺絲Screw (FT0203 M4-0.7*10) -----	5
29	8MB04280807K	螺絲Screw (CT0215 M4-0.7*8) -----	1
30	8MP06401211A	螺絲Screw (UTB0302 M6-1*12) -----	2
31	8MQ04280808A	螺絲Screw (UTB0109 M4-0.7*8) -----	4
32	8MC05321208A	螺絲Screw (M5-0.8*12) (MT0332) -----	2
33	2310000333	導線Thread Guide -----	1
34	8MB04280807K	螺絲Screw (M4-0.7*8) (CT0215) -----	1
35	2100001121A	張力調整螺帽Tension Nut (Yellow)(SH1121) -----	4
36	2310001937	螺樁 Stud -----	1
37	2310000337	導管Pipe -----	1
38	2310000338	軸Shaft -----	1
39	2310000339	調整隔環Spacer -----	1
40	8MM04281207A	螺絲Screw (M4-0.7*12) (CT0202) -----	1
41	2310000341	連桿Link -----	1
42	2310000342	曲柄Lever -----	1
43	2310000343	螺樁Stud -----	1
44	2310000344	螺樁Stud -----	1
45	8MK95301407A	螺絲Screw (M4.5-0.75*14) (CT0837) -----	1
46	231A0000346	鬆線組Thread Tension Mechanism -----	1
47	231A0001922	張力調整組 Tension Asm. (Red) -----	4
48	220A0000315	張力調整組 Tension Asm. (Yellow) -----	4

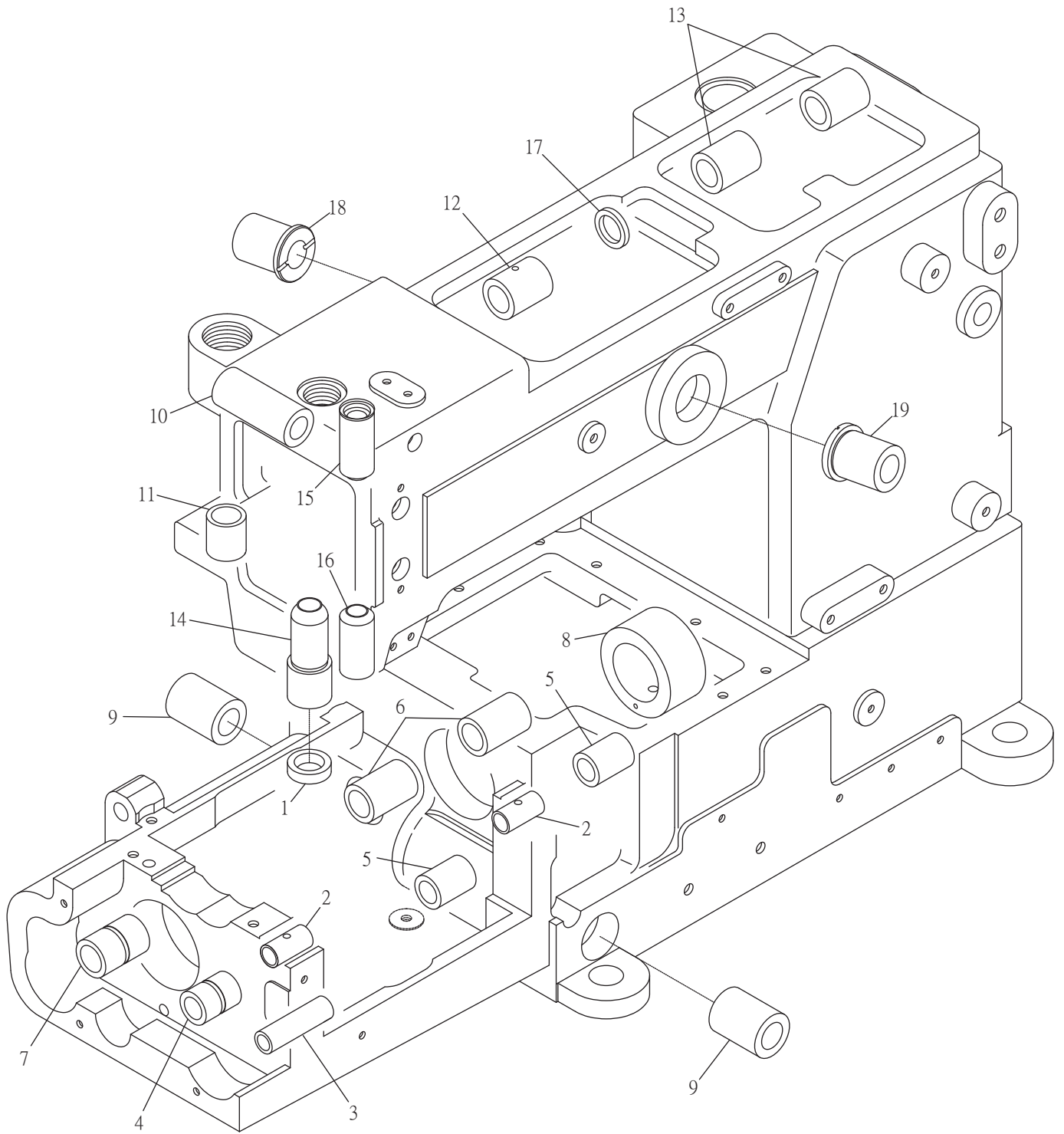
4.MT4506-MT4525 張力調整零件 Thread Tension Mechanism For MT4506-MT4525



4. MT4506-MT4525 張力調整零件 Thread Tension Mechanism For MT4506-MT4525

序號	物料編號	名稱	單位用量
Ref. No.	Parts Number	Description	Amt. Req.
1	2310000302	導線 Thread Guide -----	1
2	2310000402	導線 Thread Guide -----	1
3	2310000403	導線 Thread Guide -----	1
4	2310000404	導線 Thread Guide -----	1
5	2310000405	導線 Thread Guide -----	1
6	2310330406	導線 Thread Guide -----	1
7	2310000407	導線 Thread Guide -----	2
-	-----	-----	-
-	-----	-----	-
10	2100000640	墊圈 Washer (SH0640)-----	2
11	2100000223	墊圈 Washer (CT0232)-----	2
12	8MP04280808A	螺絲 Screw (M4-0.7*8) (MT0235) -----	2
13	8MM04281007A	螺絲 Screw (FT0203 M4-0.7*8) -----	4
14	8MQ04280808A	螺絲 Screw (UTB0109 M4-0.7*8) -----	4
15	8MB04280807K	螺絲 Screw (CT0215 M4-0.7*8) -----	1
16	8MB04280807K	螺絲 Screw (CT0215 M4-0.7*8) -----	1
17	2310000417	導線 Thread Guide -----	1

5.MT4500 軸襯與油封 Bushing And Oil Seal For MT4500



5.MT4500 軸襯與油封 Bushing And Oil Seal For MT4500

序號	物料編號	名稱	單位用量
Ref. No.	Parts Number	Description	Amt.Req.
1	2200000404	油封 Oil Seal (CT0404)-----	1
2	2310000502	軸襯 Bushing -----	2
3	2310000503	軸襯 Bushing -----	1
4	2310000504	軸襯 Bushing -----	1
5	2310000505	軸襯 Bushing -----	2
6	2310000506	軸襯 Bushing -----	2
7	2310000507	軸襯 Bushing -----	1
8	2310000508	軸襯 Bushing -----	1
9	2310000509	軸襯 Bushing -----	2
10	2310000510	軸襯 Bushing -----	1
11	2310000511	軸襯 Bushing -----	1
12	2310000512	軸襯 Bushing -----	1
13	2310000513	軸襯 Bushing -----	2
14	2310000514	軸襯 Bushing -----	1
15	2310000515	軸襯 Bushing -----	1
16	2310000516	軸襯 Bushing -----	1
17	2310000517	油封 Oil Seal -----	1
18	2310000518	軸襯 Bushing -----	1
19	2310000519	軸襯 Bushing -----	1