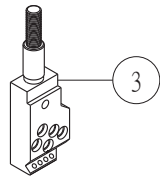
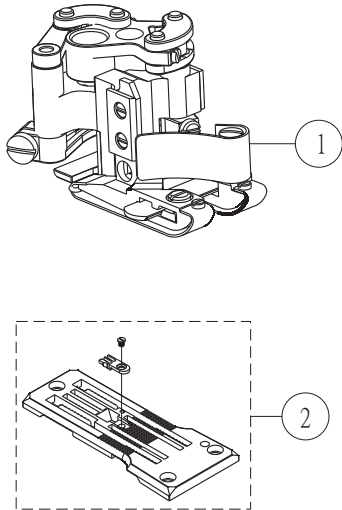
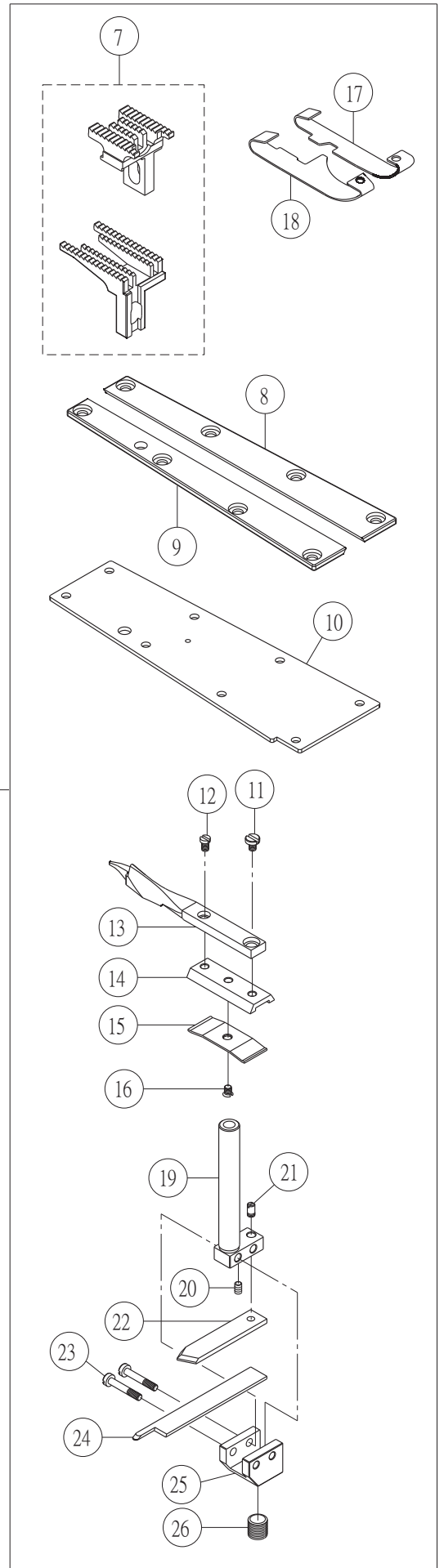
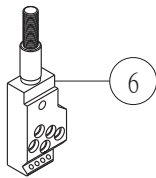
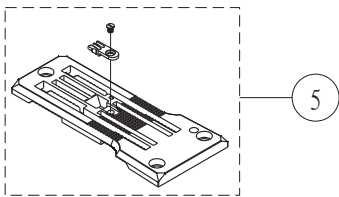
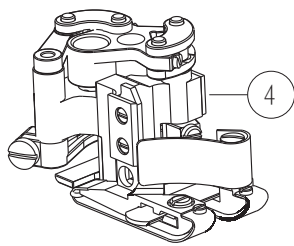


NT67-12M5 専用零件
NT67-12M5 Exclusive Parts



NT67-12M6 専用零件
NT67-12M6 Exclusive Parts



Nt67-12M5專用零件 Nt67-12M5 Exclusive Parts

序號	物料編號	名稱		單位用量
Ref. No.	Parts Number	Description		Amt.Req.
1	5240PF01	壓腳組	Presser Foot Asm.	1
2	5240TP001	針板組	Stitch Plate Asm.	1
3	5240NC0013	針留	Needle	1

Nt67-12M6專用零件 Nt67-12M6 Exclusive Parts

序號	物料編號	名稱		單位用量
Ref. No.	Parts Number	Description		Amt.Req.
4	5240PF03	壓腳組	Presser Foot Asm.	1
5	5240TP002	針板組	Stitch Plate Asm.	1
6	5240NC002	針留	Needle	1

Nt67-12M5 / Nt67-12M6

序號	物料編號	名稱		單位用量
Ref. No.	Parts Number	Description		Amt.Req.
7	5240DG01	送布齒組	Feed Dog Asm.	1
8	2400010681	鳩尾導軌	Lap Former Guide Plate	1
9	2400010691	鳩尾導軌	Lap Former Guide Plate	1
10	2400010531	送齒台架封蓋	Sewing Cylinder Cover	1
11	8SB24560405B	螺絲	Screw	1
12	8SB24560404B	螺絲	Screw	1
13	5240FG001	疊縫導模	Lap Former	1
14	240010022	導模座	Lap Former Slide Block	1
15	240010023	簧片	Lap Former Slide Block Spring	1
16	8SF24560304B	螺絲	Screw	1
17	5240PF0114	簧片輔助壓腳底	Presser Foot Spring Plate	1
18	5240PF0135	簧片輔助壓腳底	Presser Foot Spring Plate	1
19	240010021	刀柄	Knife	1
20	8SG24560400A	螺絲	Screw	1
21	8SB24560302M	螺樁	Screw	1
22	240010010	壓板	Knife	1
23	8SB24561304B	螺絲	Screw	2
24	240010009	刀片	Upper Knife	1
25	240010008	刀片夾	Upper Holder	1
26	8SN64400600A	螺絲	Screw	1