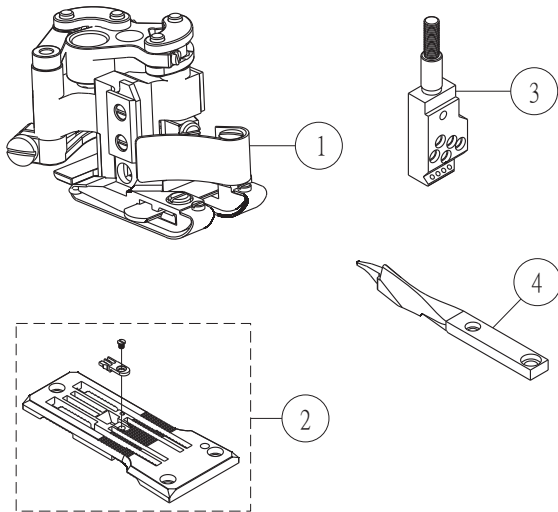
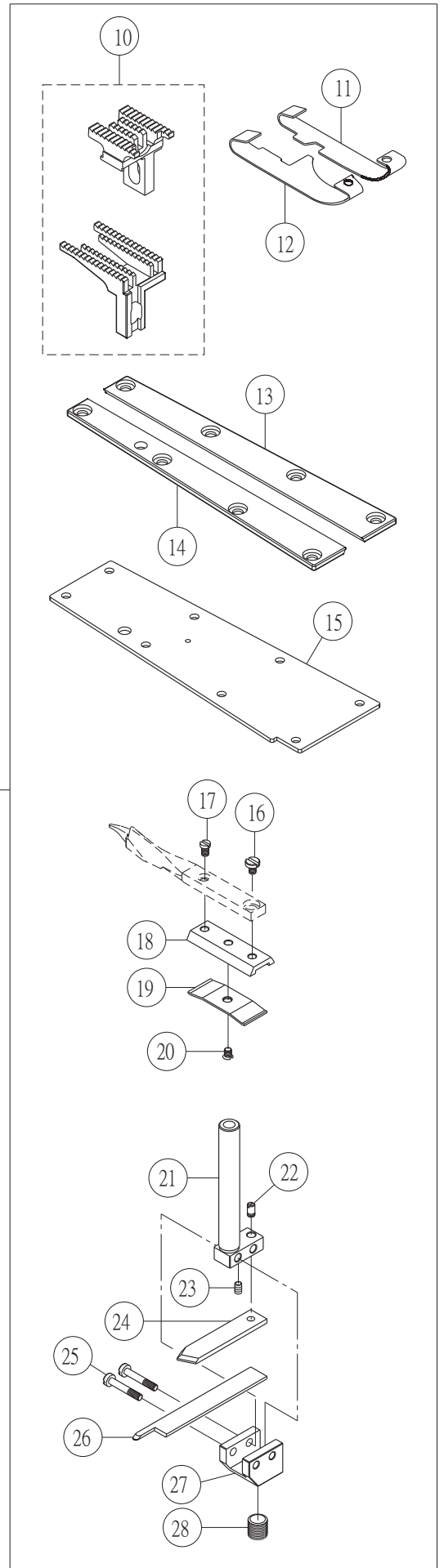
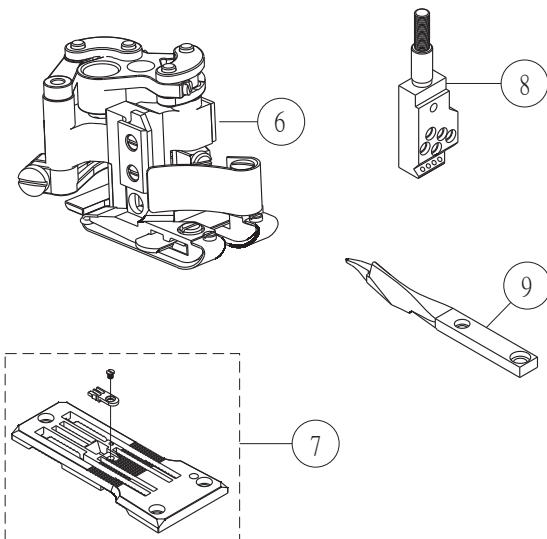


NTD67-12DM5 專用零件  
NTD67-12DM5 Exclusive Parts



NTD67-12DM6 專用零件  
NTD67-12DM6 Exclusive Parts



## NtD67-12DM5專用零件 NtD67-12DM5 Exclusive Parts

序號	物料編號	名稱		單位用量
Ref. No.	Parts Number	Description		Amt.Req.
1	5240PF24	壓腳組	Presser Foot Asm.	1
2	5240TP001	針板組	Stitch Plate Asm.	1
3	5240NC0013	針留	Needle	1
4	5240FG001	疊縫導模	Lap Former	1
5	5240PF0114	簧片輔助壓腳底	Presser Foot Spring Plate	1

## NtD67-12DM6專用零件 NtD67-12DM6 Exclusive Parts

序號	物料編號	名稱		單位用量
Ref. No.	Parts Number	Description		Amt.Req.
6	5240PF25	壓腳組	Presser Foot Asm.	1
7	5240TP0021	針板組	Stitch Plate Asm.	1
8	5240NC0023	針留	Needle	1
9	5240FG010	疊縫導模	Lap Former	1
10	5240PF0114	簧片輔助壓腳底	Presser Foot Spring Plate	1

## NtD67-12DM5 / NtD67-12DM6

序號	物料編號	名稱		單位用量
Ref. No.	Parts Number	Description		Amt.Req.
11	5240DG01	送布齒組	Feed Dog Asm.	1
12	5240PF0135	簧片輔助壓腳底	Presser Foot Spring Plate	1
13	2400010681	鳩尾導軌	Lap Former Guide Plate	1
14	2400010691	鳩尾導軌	Lap Former Guide Plate	1
15	2400010531	送齒台架封蓋	Sewing Cylinder Cover	1
16	8SB24560405B	螺絲	Screw	1
17	8SB24560404B	螺絲	Screw	1
18	240010022	導模座	Lap Former Slide Block	1
19	240010023	簧片	Lap Former Slide Block Spring	1
20	8SF24560304B	螺絲	Screw	1
21	240010021	刀柄	Knife	1
22	8SG24560400A	螺絲	Screw	1
23	8SB24560302M	螺椿	Screw	1
24	240010010	壓板	Knife	1
25	8SB24561304B	螺絲	Screw	2
26	240010009	刀片	Upper Knife	1
27	240010008	刀片夾	Upper Holder	1
28	8SN64400600A	螺絲	Screw	1