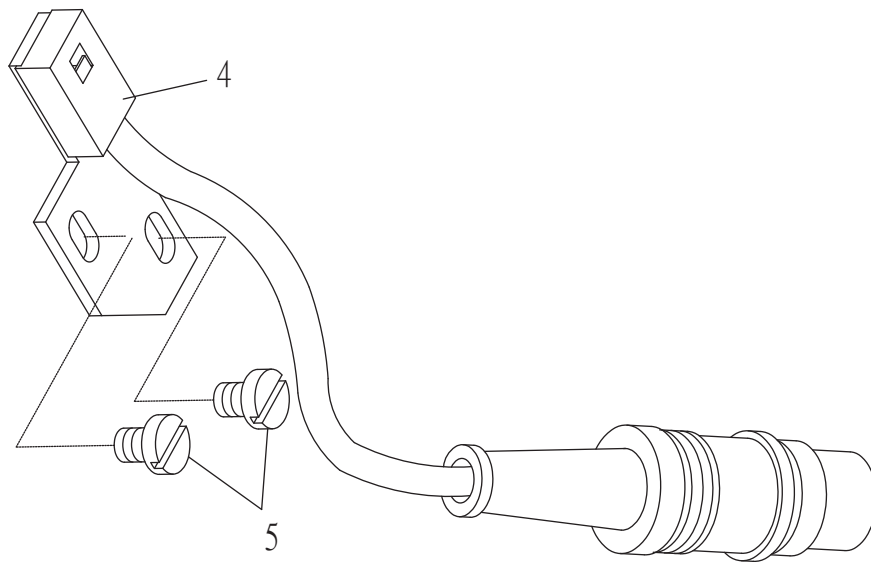
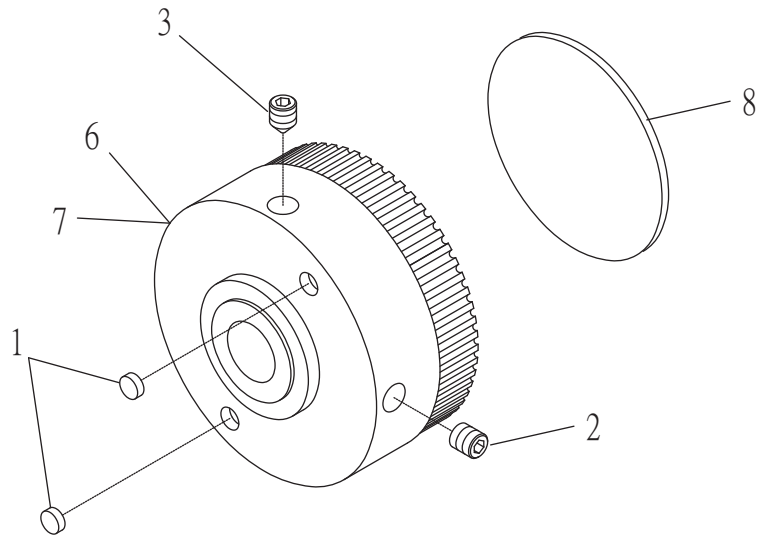


1. BS內藏式定位器Built-in Type Synchronizer



1. BS內藏式定位器 Built-in Type Synchronizer

序號 Ref.No.	圖號 Parts No.	名稱 Description	單位用量 Amt .Req.
1	4UTB000444	磁鐵 Magnet -----	2
2	8MN06400800A	螺絲 Screw (CT0549 M6-1*8) -----	1
3	8MN06401100C	螺絲 Screw (CT0548 M6-1*11) -----	1
4	4UTB000447	內藏式定位器 Built-in Type Synchronizer -----	1
5	8MB04280608A	螺絲 Screw (UTB0130 M4-0.7*6) -----	2
*6	4UTB000443	手輪 Handwheel -----	1
**7	4UTD000343	手輪 Handwheel -----	1
8	2200000604	軸端封蓋 Cover -----	1

*BS001 For CT SERIES

**BS002 For FT SERIES

●須配合伺服馬達使用(型號: HVP-60-4-46-1 ,電壓100V~120V)

(型號: HVP-60-4-46-2 ,電壓200V~240V)

Should be used together with AC servo motor

(Model : HVP-60-4-46-1 , For Voltage 100V~120V)

(Model : HVP-60-4-46-2 , For Voltage 200V~240V)