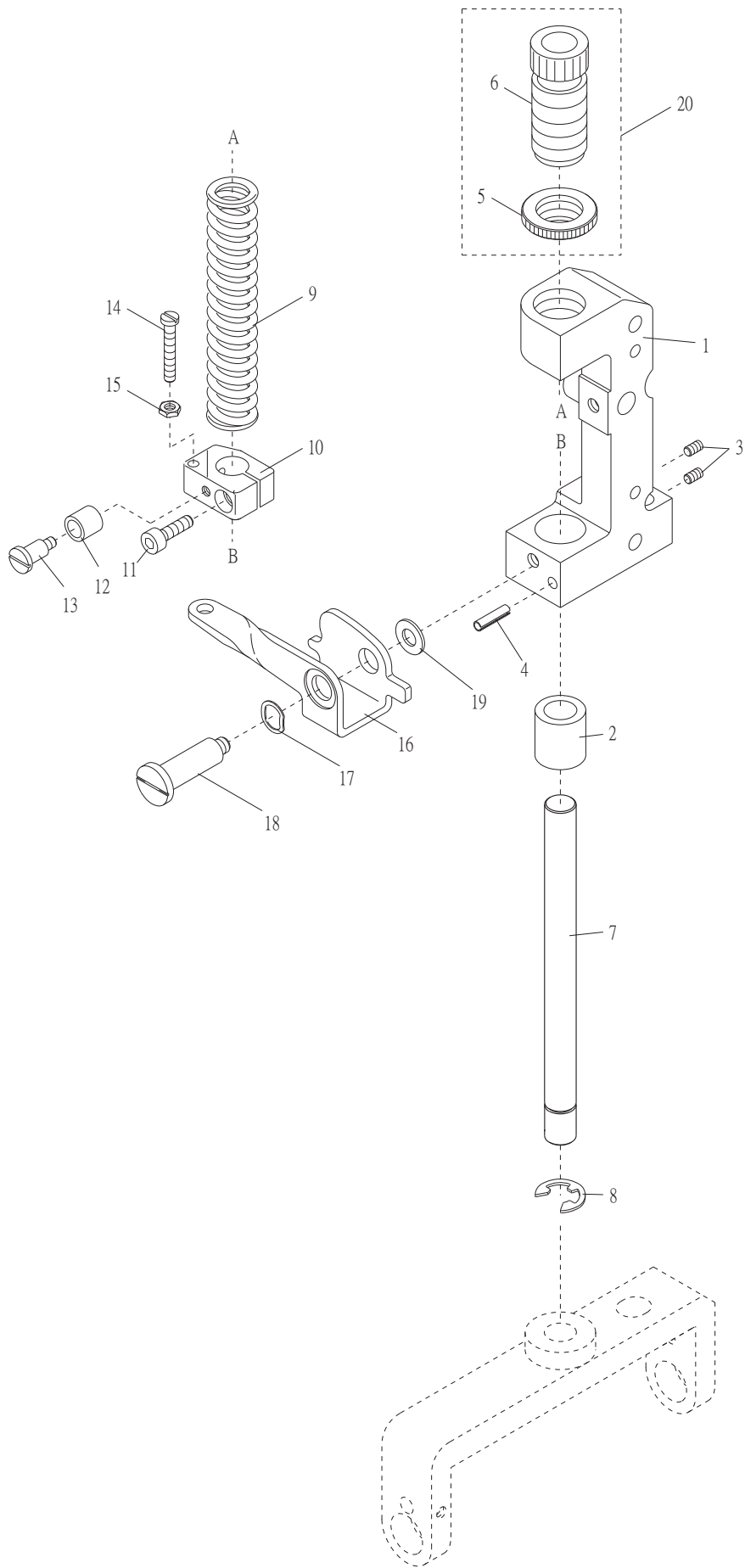


1. MP001 輔助拖輪 Puller Mechanism For MP001

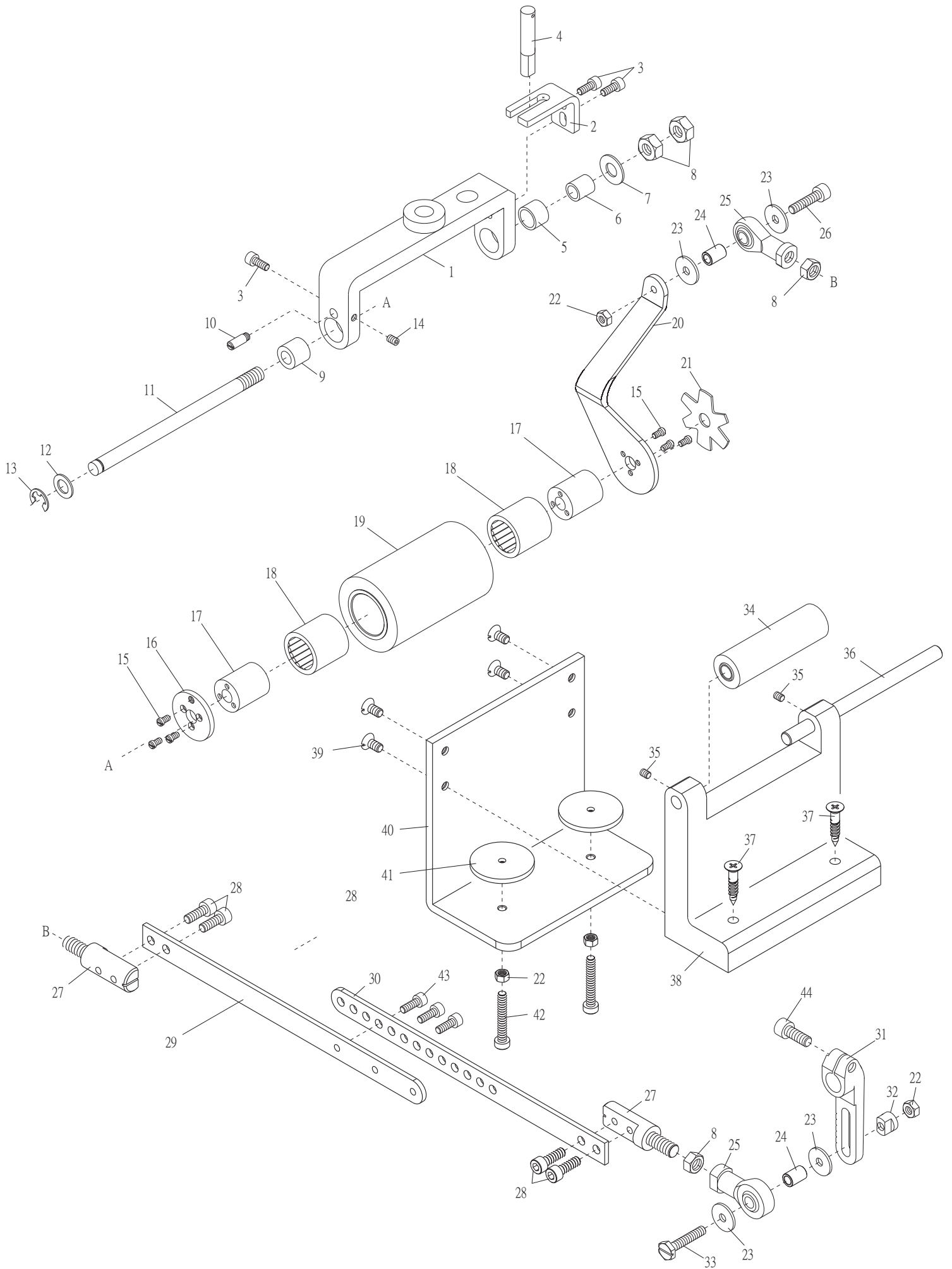


1. MP001 輔助拖輪 Puller Mechanism For MP001

序號	物料編號	名稱	單位用量
Ref. No.	Parts Number	Description	Amt. Req.
1	4MP0010101	機架 Upper Feed Roller Bracket -----	1
2	4RP0010102	軸襯 Roller Press Bar Bushing -----	1
3	8MN04280500A	螺絲 Screw (M13-34 M4-0.7*5) -----	2
4	90SP0416	止動梢 Stop Pin -----	1
5	2310001222	螺帽 Nut -----	1
6	2310001221	調壓螺椿 Spring Regulator -----	1
7	4MP0010107	軸 Upper Feed Rrller Press Bar -----	1
8	90ER100	扣環 Retaining Ring -----	1
9	4RP0010109	壓力彈簧 Roller Press Spring -----	1
10	4RP0010110	彈簧座 Roller Press Bar Bracket -----	1
11	8MM05321609A	螺絲 Screw (RP0111 M5-0.8*16) -----	1
12	4RP0010112	套管 Lifting Lever Sleeve -----	1
13	8SB44401510G	螺椿 Stud (RP0113 11/64"-40*14.6) -----	1
14	8SB44403006A	螺絲 Screw (RP0114 11/64"*30) -----	1
15	8SA44400307A	螺帽 Nut (SH0914 11/64"-40*2.5) -----	1
16	4RP0010116	揚昇手柄 Upper Feed Roller Lifting Lever -----	1
17	90WW105	波形墊圈 Corrugated Washer -----	1
18	8MB06403516G	螺椿 Stud (RP0118 M6-1*35) -----	1
19	2100000645	墊圈 Washer -----	1
20	231A0001244	調壓螺椿組 Spring Regulator Asm.-----	1

註：MP001 用於 MT4500 機型

2. MP001 輔助拖輪 Puller Mechanism For MP001

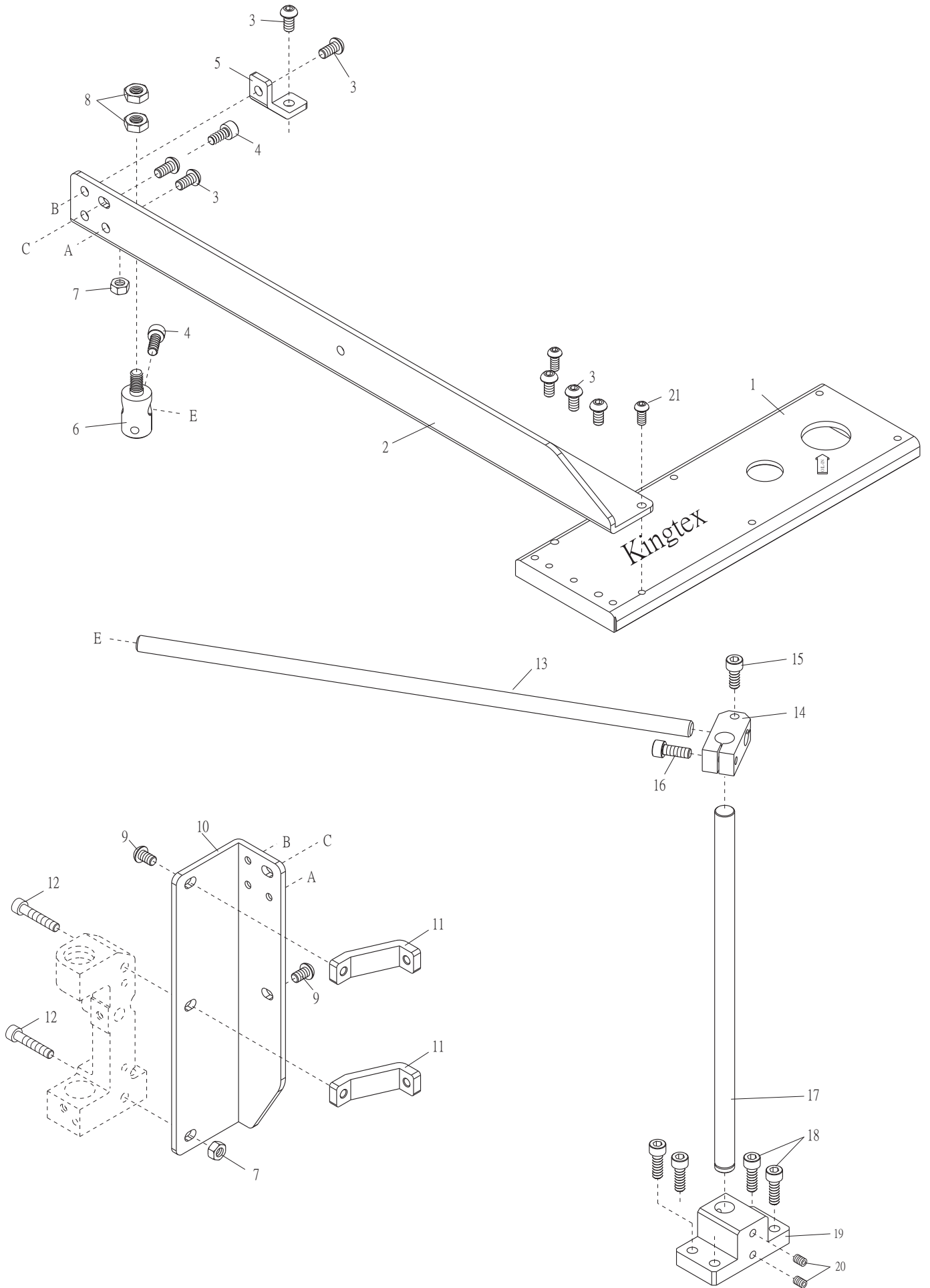


2. MP001 輔助拖輪 Puller Mechanism For MP001

序號	物料編號	名稱	單位用量
Ref. No.	Parts Number	Description	Amt. Req.
◎1	4MP0010201	主動輪座 Upper Feed Roller Yoke -----	1
2	4MP0010202	導軌 Yoke Guide-----	1
3	8MM04281007A	螺絲 Screw (FT0203 M4-0.7*10) -----	3
4	4MP0010204	軸 Yoke Pin -----	1
◎5	2310001307	軸襯 Bushing -----	1
6	2310001306	襯套 Clutch Tension Sleeve -----	1
7	2310001301	墊圈 Washer -----	1
8	8MA08500613A	螺帽 Nut (RP0208 M8-1.25*6) -----	4
◎9	2310001308	軸襯 Bushing -----	1
10	8SB44400305N	螺絲 Screw (MT1329 11/64"-40*3) -----	1
11	2310001417	軸 Yoke Pin -----	1
12	2310001302	墊圈 Washer -----	1
13	90ER070	E形扣環 E Ring -----	1
14	8MN04280600A	螺絲 Screw (CT1223 M4-0.7*6) -----	1
15	8SB32440604A	螺絲 Screw (MT1332 1/8"-44*6) -----	6
16	2310001305	封蓋 Cover -----	1
◎17	23100013042	離合器 Clutch -----	2
◎18	90NB202626	單向滾針軸承 Needle Bearing (HLF2026) -----	2
◎19	2310001437	主動輪 Upper Feed Roller (0齒) -----	1
20	4MP0010220	拉柄 Clutch Driving Lever -----	1
21	2310001303	星形壓環 Clutch Tension Spring -----	1
22	8MA05320408A	螺帽 Nut (CT1028 M5-0.8*4) -----	4
23	2310001309	墊圈 Washer -----	4
24	4MP0010224	襯套 Clutch Tension Sleeve -----	2
25	4UTB010326	球軸連桿 Plunger Connecting Rod -----	2
26	8MM05322209X	螺絲 Screw (TC013-01-20 M5-0.8*22) -----	1
27	4MP0010227	螺樁 Stud -----	2
28	8MM05321409A	螺絲 Screw (C06-32 M5-0.8*14) -----	4
29	4MP0010229	連結桿 Connecting Rod -----	1
30	4MP0010230	連結桿 Connecting Rod -----	1
31	23100012061	拉臂 Upper Feed Roller Arm -----	1
32	2310001313	隔環 Spacer -----	1
33	8MK05322710A	螺絲 Screw (MT1326 M5-0.8*27) -----	1
34	2310001436	從動輪 Upper Feed Roller (0齒) -----	1
35	8MN04280500A	螺絲 Screw (MT1334 M4-0.7*5) -----	2
36	4MP0010236	軸 Yoke Pin -----	1
37	8WE37003200A	螺絲 Screw (MP001-02-37) -----	2
38	4MP0010238	從動輪座 Lower Feed Roller Yoke -----	1
39	8ME05321010A	螺絲 Screw (FTC1-01-16 M5-0.8*10) -----	4
40	4MP0010240	支架 Cylinder Holder Bracket -----	1
41	4MP0010241	夾環 Clamp Disk -----	2
42	8MM05323509A	螺絲 Screw (MP001-02-42 M5-0.8*32) -----	2
43	8MM05320809A	螺絲 Screw (C11-45 M5-0.8*8) -----	3
44	8MM06401610A	螺絲 Screw (C06-25 M6-1*16) -----	2

◎ 需整組購買 Must be sold in complete set

3. MP001 輔助拖輪 Puller Mechanism For MP001



3. MP001 輔助拖輪 Puller Mechanism For MP001

序號	物料編號	名稱	單位用量
Ref. No.	Parts Number	Description	Amt. Req.
1	4MP0010301	上軸蓋 Top Cover -----	1
2	4MP0010302	支架 Cylinder Holder Bracket -----	1
3	8MP06401211A	螺絲 Screw (UTB1-03-02 M6-1*12) -----	7
4	8MM06401510A	螺絲 Screw (MT0845 M6-1*15) -----	2
5	4MP0010305	支架 Cylinder Holder Bracket -----	1
6	4MP0010306	支架 Cylinder Holder Bracket -----	1
7	8MA06400510A	螺帽 Nut (C05-33 M5-0.8*5) -----	2
8	8MA08500513A	螺帽 Nut (FTC1-01-26 M8-1.25*5) -----	2
9	8MP06401011A	螺絲 Screw (M02-34 M6-1*10) -----	2
10	4MP0010310	支架 Cylinder Holder Bracket -----	1
11	4MP0010311	支架 Cylinder Holder Bracket -----	2
12	8MM06403210B	螺絲 Screw (RP0131 M6-1*32) -----	2
13	4MP0010313	軸 Shaft -----	1
14	4MP0010314	連桿 Lever -----	1
15	8MM06401610A	螺絲 Screw (C6-25 M6-1*16) -----	1
16	8MM06402010A	螺絲 Screw (S04-44 M6-1*20) -----	1
17	2310001219	軸 Shaft -----	1
18	8MM06402510A	螺絲 Screw (UH07-12 M6-1*25) -----	4
19	4MP0010319	承座 Bracket -----	1
20	8MN06401000A	螺絲 Screw (M12-33 M6-1*10) -----	2
21	8MP05321210A	螺絲 Screw (UTB1-03-40 M5-0.8*12) -----	2