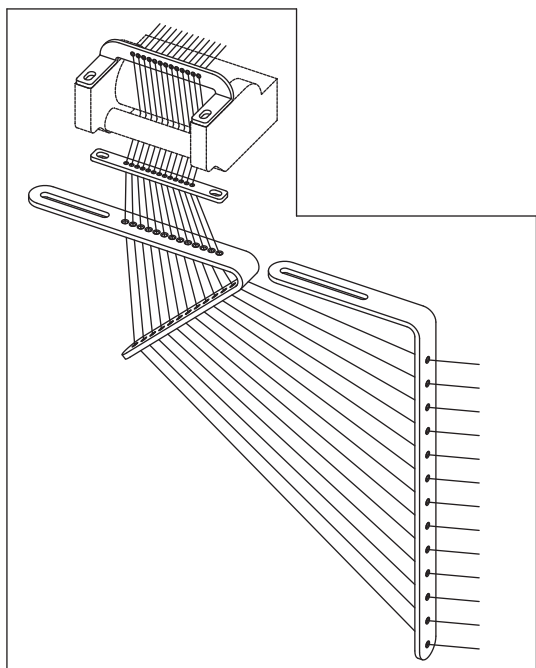
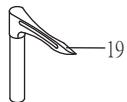
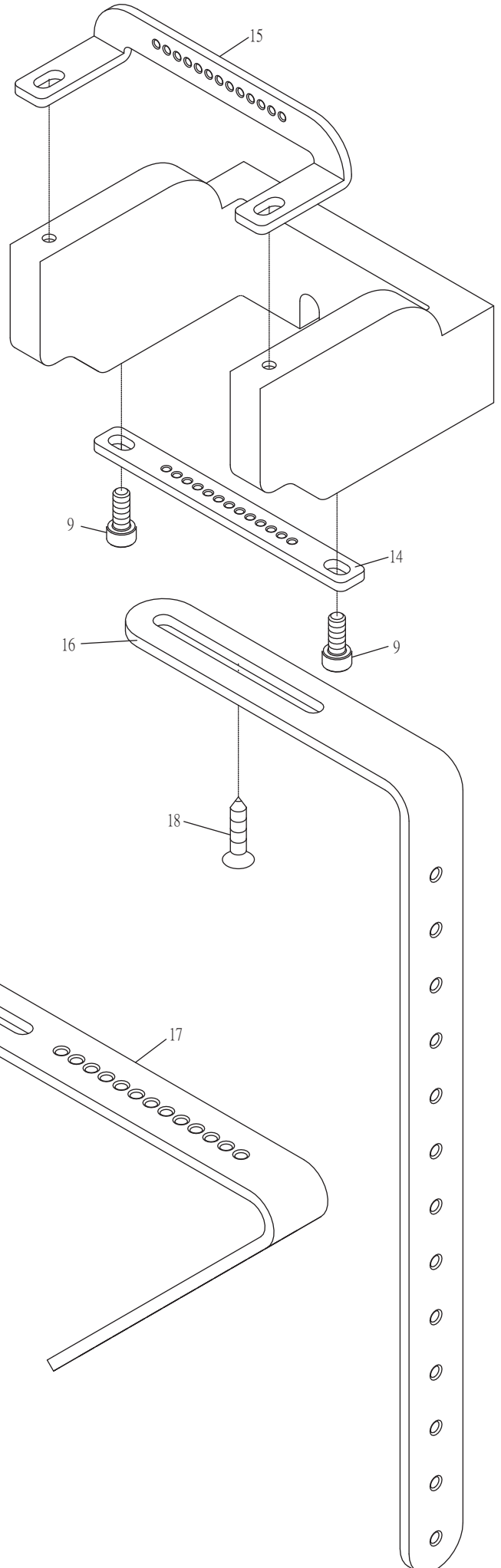
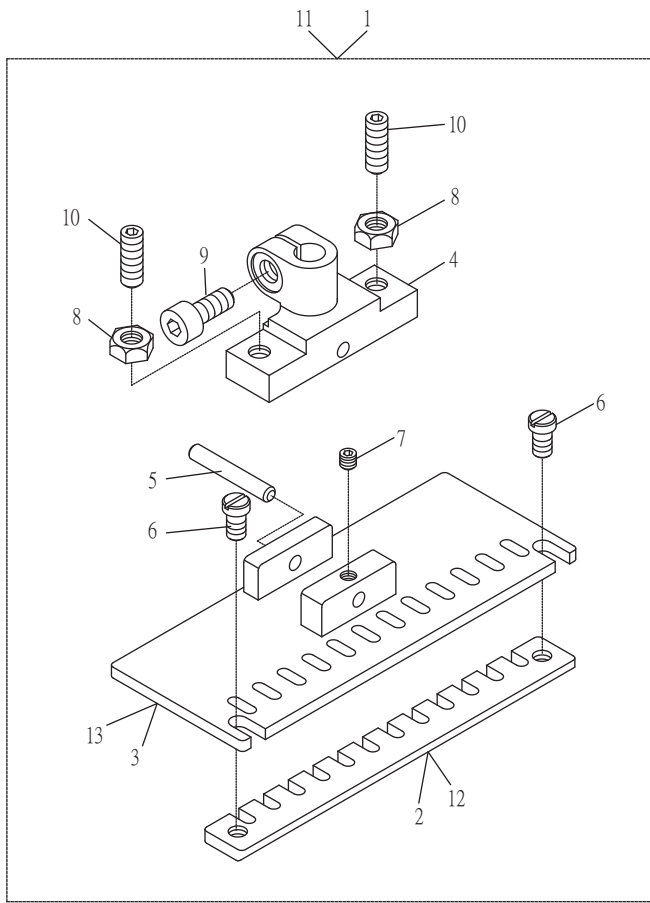


1. PS01A/PS01B 鬆緊線抽皺縫 Elastic Thread Shirring For PS01A/PS01B



1. PS01A/PS01B 鬆緊線抽皺縫Elastic Thread Shirring For PS01A/PS01B

序號	物料編號	名稱	單位用量
Ref. No.	Parts Number	Description	Amt. Req.
**1	5231PF1205	PS01A鬆緊線抽皺縫針距1/4用壓腳-----	1
2	5231PF1205B	輔助壓腳底Assistant Presser Foot Guide -----	1
*3	5231PF1205A	壓腳底Presser Foot Guide -----	1
*4	5231PF1205C	壓腳柄Presser Foot Arm -----	1
*5	5231PF0401E	固定銷Pin -----	1
6	8MB85240505A	螺絲Screw(M3.5-0.6*5) -----	2
7	8MN03200300A	螺絲Screw(CT0115 M3-0.5*3) -----	1
8	8MN04280307A	螺帽Nut -----	2
9	8MM04281007A	螺絲Screw(FT0203 M4-0.7*10) -----	3
10	8MN04281200A	螺絲Screw(M4-0.7*12) -----	2
***11	5231PF1206	PS01B鬆緊線抽皺縫針距3/16用壓腳-----	1
12	5231PF1206B	輔助壓腳底Assistant Presser Foot Guide -----	1
*13	5231PF1206A	壓腳底Presser Foot Guide -----	1
14	4PS0010114	導線Thread Guide -----	1
15	4PS0010115	導線Thread Guide -----	1
16	4PS0010116	導線Thread Guide -----	1
17	4PS0010117	導線Thread Guide -----	1
18	8WE37002400A	木螺絲Wood Screw(CL450427) -----	2
19	5231LL0004	結線鉤 Retainer Lopper ( For Thick Thread Usage )-----	12

\* 需整組購買Must be sold in complete set

\*\* 1/4 針距用

\*\*\* 3/16 針距用