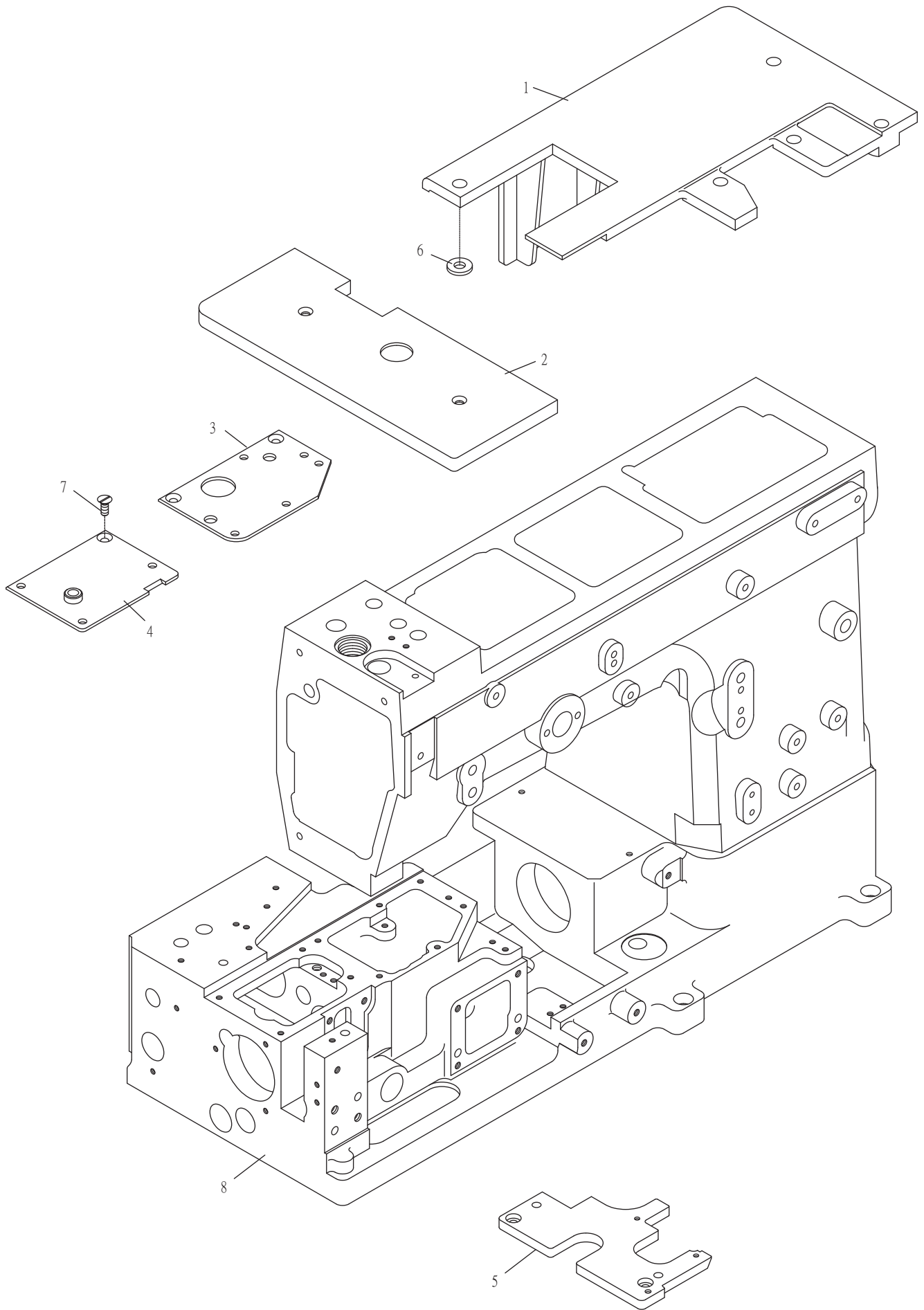


4. RP002/RP02A 輔助拖輪Puller Mechanism For RP002/RP02A



4. RP002/RP02A 輔助拖輪 Puller Mechanism For RP002/RP02A

序號	物料編號	名稱	單位用量
Ref. No.	Parts Number	Description	Amt. Req.
1	4RP0020401	封蓋 Rear Cover -----	1
2	4RP0020402	左布板 Cloth Plate -----	1
3	4RP0020403	封蓋 Oil Filter Cover -----	1
4	4RP0020404	封蓋 Oil Filter Cover -----	1
5	4RP0020405	針板座 Needle Plate Seat -----	1
6	2100000323	墊圈 Washer -----	1
7	8ME04281008A	螺絲 Screw (FT0218 M4-0.7*10) -----	1
8	4RP0020408	車頭 Frame Unit -----	1