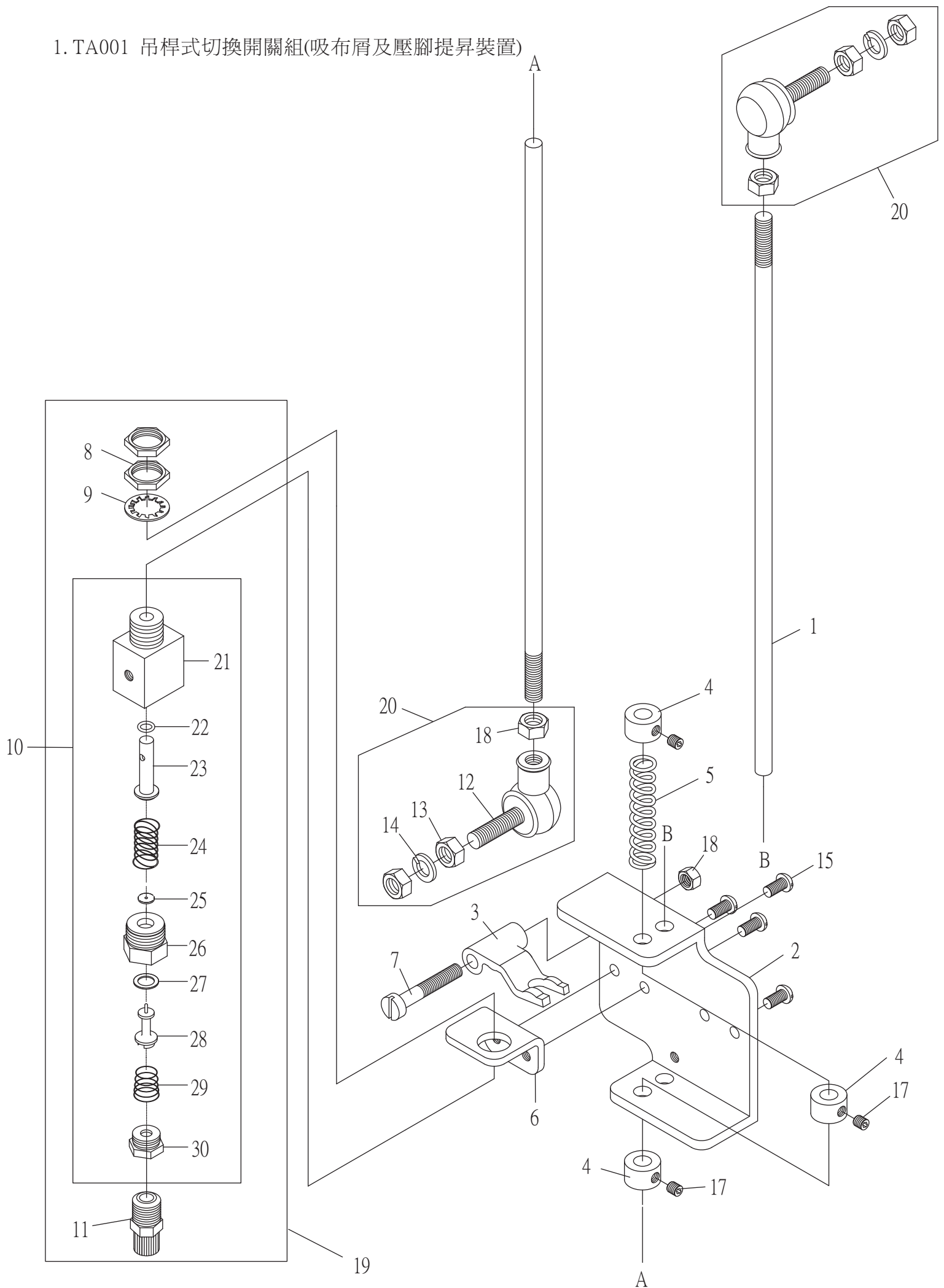


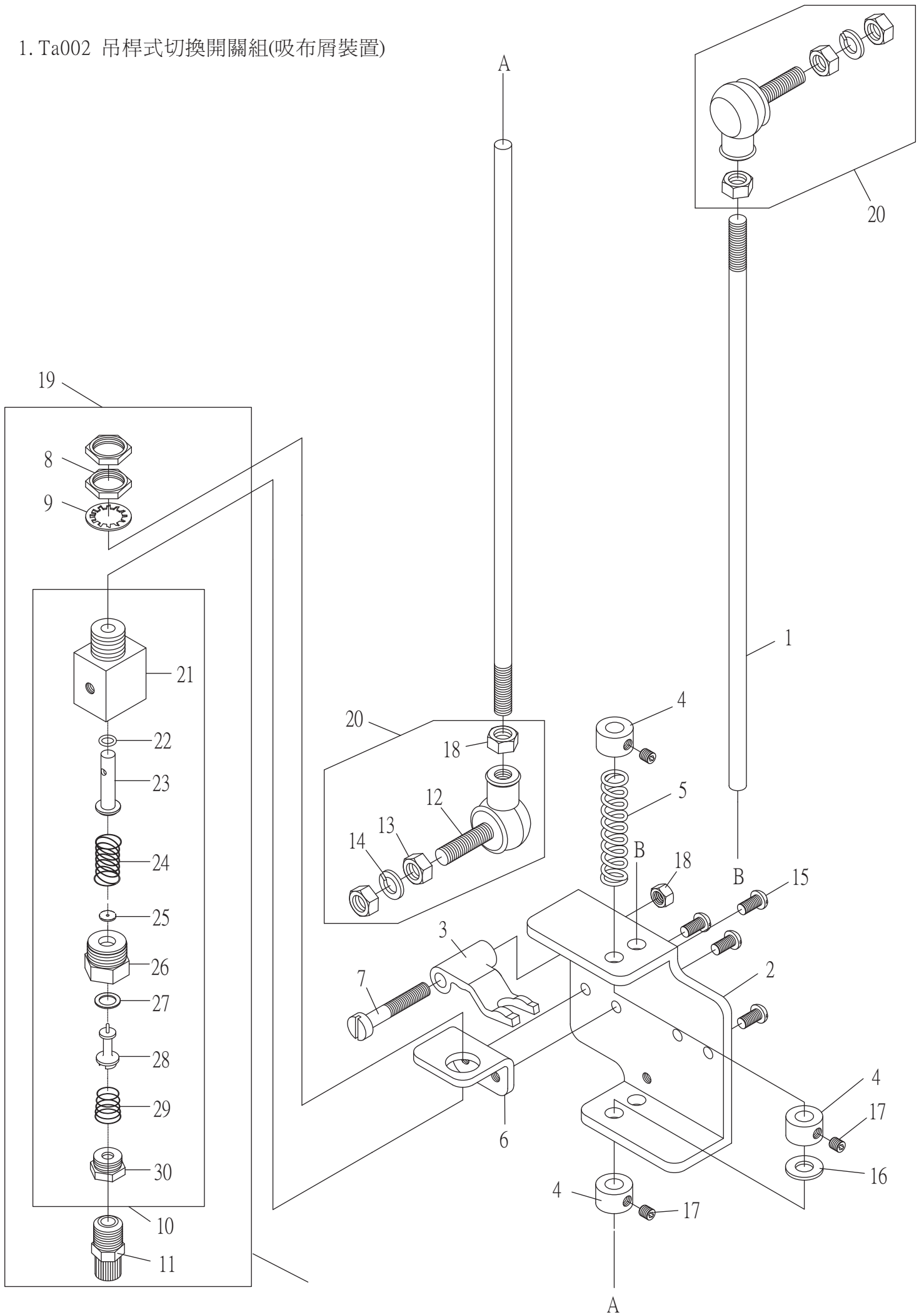
1. TA001 吊桿式切換開關組(吸布屑及壓腳提昇裝置)



1. TA001 吊桿式切換開關組(吸布屑及壓腳提昇裝置)

序號	物料編號	名稱	單位用量
Ref. No.	Parts Number	Description	Amt. Req.
1	4TA0030101	連桿 Connecting Rod -----	2
2	4TA0030102	支架 Bracket -----	1
3	4TA0030103	定位塊 Block -----	1
4	4TA0030104	定位環 Collar -----	3
5	4TA0030105	彈簧 Spring -----	1
6	4TA0030106	固定座 Base -----	2
7	4TA0030107	彈簧 Spring -----	1
8	4TA0030108	螺帽 Nut -----	4
9	4TA0030109	齒形墊圈 Teeth Washer -----	2
10	4TA003A0110	換向閥組 Electromagnetic Valve Asm.-----	2
11	4WPC000103	空氣管接頭 Elbow Conneccor -----	4
12	4AL0120207	接頭 Ball Joint -----	2
13	8MA60100510A	螺帽 Nut (CT0533 M6-1*5) -----	6
14	90SW060	彈簧墊圈 Spring Washer -----	2
15	8MB04280807K	螺絲 Screw (CT0215 M4-0.7*8) -----	4
16	8MN04280500A	螺絲 Screw (MT1334 M4-0.7*5) -----	1
17	8MN04280400A	螺絲 Screw (CT0229 M4-0.7*4) -----	3
18	4TA0020118	定位塊 Block -----	1
19	4TA003A0119	換向閥組 Electromagnetic Valve C.Set -----	2
20	4TA003A0120	接頭組 Ball Joint C.Set -----	4
21	4TA0030121	本體 Base -----	2
22	90OR050	O型環 P5 O-ring -----	2
23	4TA0030123	軸 Shaft -----	2
24	4TA0030124	彈簧 Spring -----	2
25	4TA0030125	防漏墊片 Washer-----	2
26	4TA0030126	螺帽 Nut -----	2
27	4TA0030127	防漏墊片 Washer-----	2
28	4TA0030128	軸 Shaft -----	2
29	4TA0030129	彈簧 Spring -----	2
30	4TA0030130	螺帽 Nut -----	2
31	8MA05320408A	螺帽 Nut (CT1028 M5-0.8*4) -----	1
32	8MB05323009B	螺絲 Screw (CT1024 M5-0.8*30) -----	1

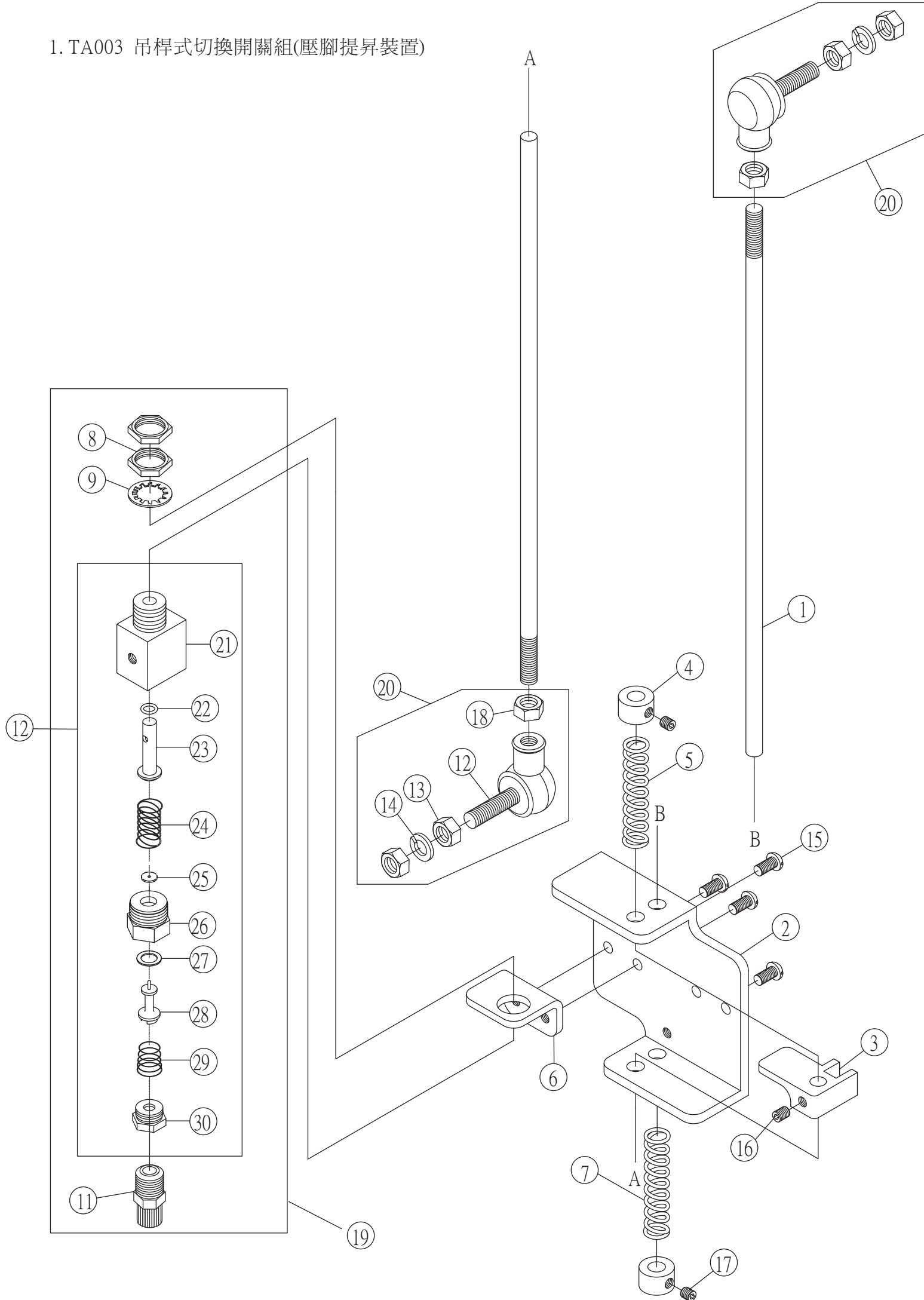
1. Ta002 吊桿式切換開關組(吸布層裝置)



1. Ta002 吊桿式切換開關組(吸布屑裝置)

序號	物料編號	名稱	單位用量
Ref. No.	Parts Number	Description	Amt. Req.
1	4TA0030101	連桿 Connecting Rod -----	2
2	4TA0030102	支架 Bracket -----	1
3	8MA05320408A	螺帽 Nut (CT1028 M5-0.8*4) -----	1
4	4TA0030104	定位環 Collar -----	2
5	4TA0030105	彈簧 Spring -----	1
6	4TA0030106	固定座 Base -----	1
7	8MB05323009B	螺絲 Screw (CT1024 M5-0.8*30) -----	1
8	4TA0030108	螺帽 Nut -----	2
9	4TA0030109	齒形墊圈 Teeth Washer -----	1
10	4TA003A0110	換向閥組 Electromagnetic Valve Asm.-----	1
11	4WPC000103	空氣管接頭 Elbow Conneccor -----	2
12	4AL0120207	接頭 Ball Joint -----	2
13	8MA60100510A	螺帽 Nut (CT0533 M6-1*5) -----	6
14	90SW060	彈簧墊圈 Spring Washer -----	2
15	8MB04280807K	螺絲 Screw (CT0215 M4-0.7*8) -----	4
16	-----	-----	-
17	8MN04280400A	螺絲 Screw (CT0229 M4-0.7*4) -----	2
18	4TA0020118	定位塊 Block -----	1
19	4TA003A0119	換向閥組 Electromagnetic Valve C.Set -----	1
20	4TA003A0120	接頭組 Ball Joint C.Set -----	2
21	4TA0030121	本體 Base -----	1
22	90OR050	O型環 P5 O-ring -----	1
23	4TA0030123	軸 Shaft -----	1
24	4TA0030124	彈簧 Spring -----	1
25	4TA0030125	防漏墊片 Washer-----	1
26	4TA0030126	螺帽 Nut -----	1
27	4TA0030127	防漏墊片 Washer-----	1
28	4TA0030128	軸 Shaft -----	1
29	4TA0030129	彈簧 Spring -----	1
30	4TA0030130	螺帽 Nut -----	1

1. TA003 吊桿式切換開關組(壓腳提昇裝置)



1. TA003 吊桿式切換開關組(壓腳提昇裝置)

序號	物料編號	名稱	單位用量
Ref. No.	Parts Number	Description	Amt. Req.
1	4TA0030101	連桿 Connecting Rod -----	2
2	4TA0030102	支架 Bracket -----	1
3	4TA0030103	定位塊 Block -----	1
4	4TA0030104	定位環 Collar -----	2
-	-----	-----	-
6	4TA0030106	固定座 Base -----	1
7	4TA0030107	彈簧 Spring -----	1
8	4TA0030108	螺帽 Nut -----	2
9	4TA0030109	齒形墊圈 Teeth Washer -----	1
10	4TA003A0110	換向閥組 Electromagnetic Valve Asm.-----	1
11	4WPC000103	空氣管接頭 Elbow Conneccor -----	2
12	4AL0120207	接頭 Ball Joint -----	2
13	8MA60100510A	螺帽 Nut (CT0533 M6-1*5) -----	6
14	90SW060	彈簧墊圈 Spring Washer -----	2
15	8MB04280807K	螺絲 Screw (CT0215 M4-0.7*8) -----	4
17	8MN04280400A	螺絲 Screw (CT0229 M4-0.7*4) -----	2
-	-----	-----	-
19	4TA003A0119	換向閥組 Electromagnetic Valve C.Set -----	1
20	4TA003A0120	接頭組 Ball Joint C.Set -----	2
21	4TA0030121	本體 Base -----	1
22	90OR050	O型環 P5 O-ring -----	1
23	4TA0030123	軸 Shaft -----	1
24	4TA0030124	彈簧 Spring -----	1
25	4TA0030125	防漏墊片 Washer-----	1
26	4TA0030126	螺帽 Nut -----	1
27	4TA0030127	防漏墊片 Washer-----	1
28	4TA0030128	軸 Shaft -----	1
29	4TA0030129	彈簧 Spring -----	1
30	4TA0030130	螺帽 Nut -----	1