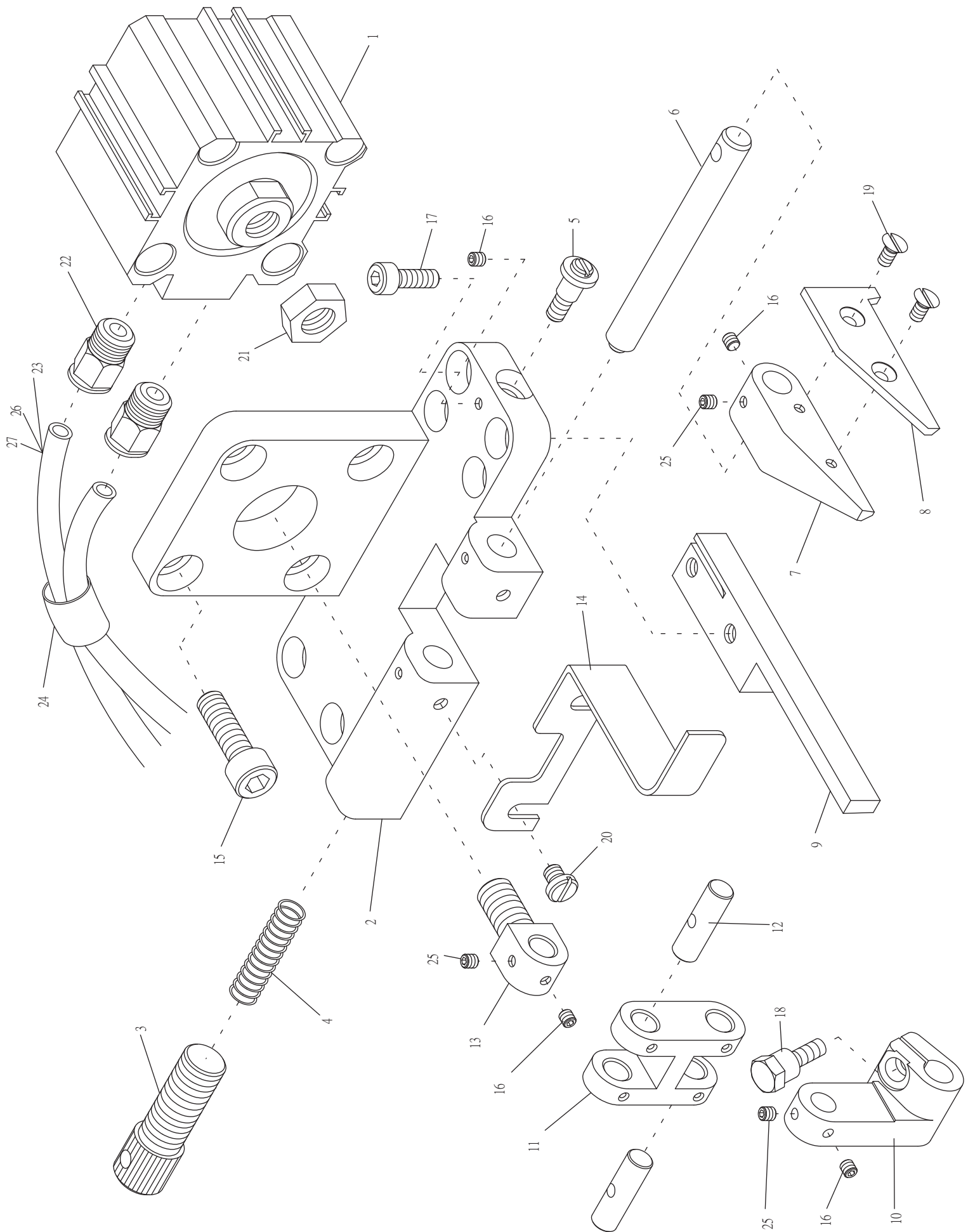


1. TC003 / TCB03 / TCS03 氣動式切帶裝置 TC003 / TCB03 / TCS03 Pneumatic Type Tape Cutting Device



1. TC003 / TCB03 / TCS03 氣動式切帶裝置 TC003 / TCB03 / TCS03 Pneumatic Type Tape Cutting Device

序號	物料編號	名稱	單位用量
Ref. No.	Parts Number	Description	Amt.Req.
1	4TC0030101	氣壓缸 Cylinder (CQ2A 32-15D) -----	1
2	4TC00301022	刀座 Cutting Device Basement -----	1
3	4TC0030103	螺絲 Screw (FTC30103 M10-1.5*25) -----	1
4	4TC0030104	彈簧 Spring -----	1
5	4TC0030105	螺樁 Stud -----	1
6	4TC00301061	軸 Shaft -----	1
7	4TC0030107	刀座 Cutting Knife -----	1
8	4TC0030108	上刀 Upper Knife -----	1
9	4TC0030109	固定刀片 Ledger Blade -----	1
10	4TC00301101	連桿 Connecting Rod -----	1
11	4TC0030111	連桿 Connecting Rod -----	1
12	4TC0030112	軸 Shaft -----	1
13	4TC0030113	接頭 Connector -----	1
14	4TC0030114	護指擋片-----	1
15	8MM06401210A	螺絲 Screw (FT1103 M6-1*12) -----	4
16	8MN03200300A	螺絲 Screw (CT0115 M3-0.5*3) -----	4
17	8MM05321209A	螺絲 Screw (FT0524 M5-0.8*12) -----	6
18	4TC0030118	螺樁 Stud-----	1
19	8ME03200606A	螺絲 Screw (CT0235 M3-0.5*6) -----	2
20	8MB04280507K	螺絲 Screw (FT0235 M4-0.7*8) -----	2
21	8MA08500513A	螺帽 Nut (FTC10126 M8-1.25*5) -----	1
22	4TC0010129	空氣管接頭 Connector -----	2
*23	4TC0010130	φ6空氣管 Air Tube (L=1000mm) -----	2
24	4TC0010131	固定管 Bobbin -----	2
25	8MN03200400C	螺絲 Screw (Ct1242 M3-0.5*4) -----	3
***26	4TCS080128	φ6空氣管 Air Tube (L=700mm) -----	2
**27	4TCB080129	φ6空氣管 Air Tube (L=400mm) -----	2

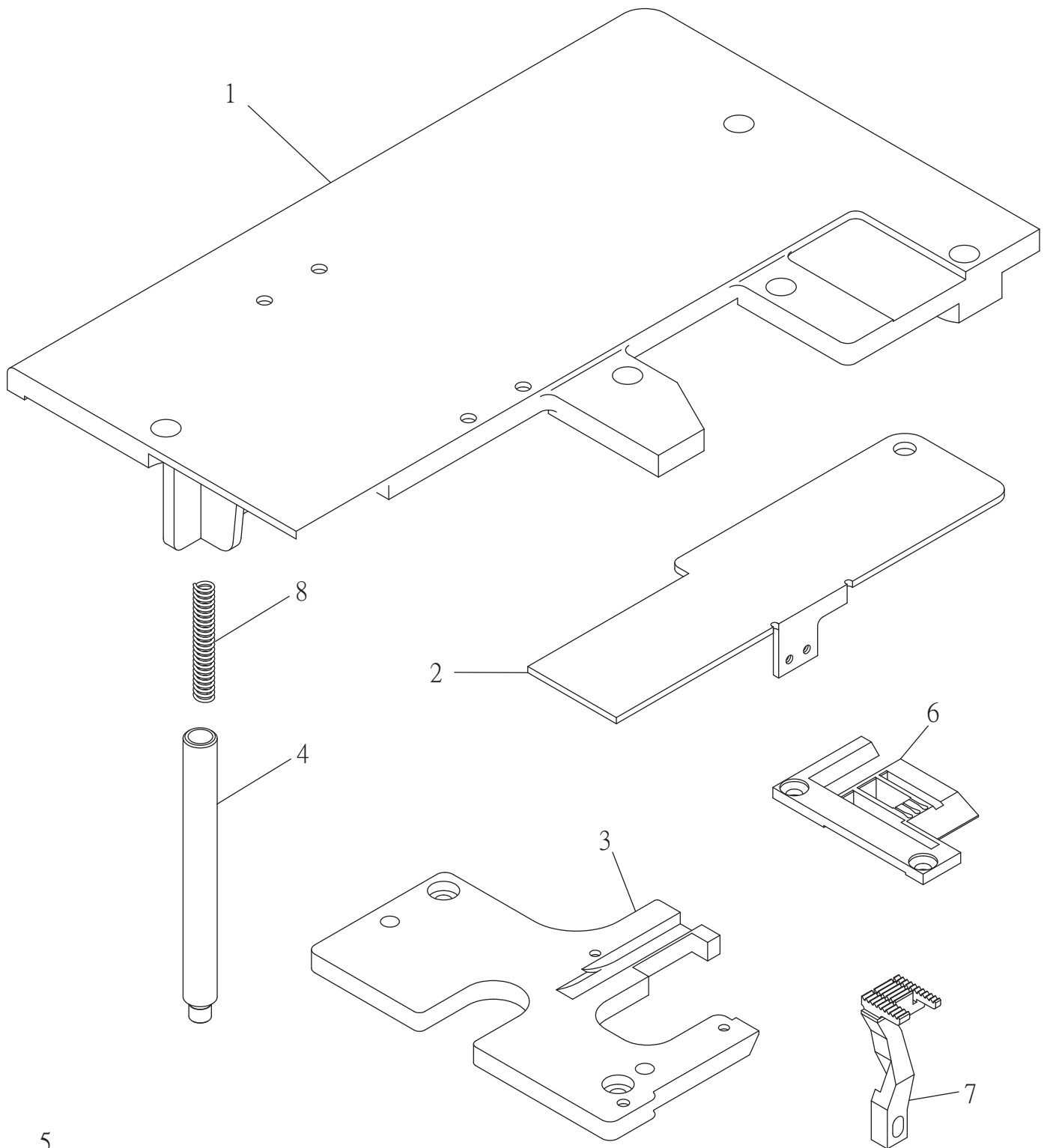
\* : TC003 用  
 \*\* : TCB03 用  
 \*\*\* : TCS03 用

Tc003 / TCB03 : Ft7003 機型用 For Ft7003

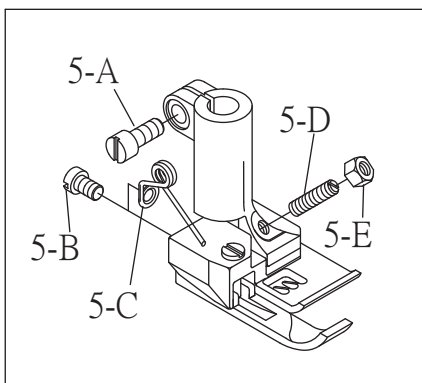
TCS03 : FT7003 / FTD7003 機型並配合伺服馬達使用 <型號HVP-60,HVP-70,HVP-90>

Must be used together with AC servo motor, HVP-60 or HVP-70 or HVP-90, for FT7003 / FTD7003 two models.

2. TC003 / TCB03 / TCS03氣動式切帶裝置 TC003 / TCB03 / TCS03 Pneumatic Type Tape Cutting Device



5



5. 壓腳組 Presser Foot

針距	圖號
5.6	5221PF03561 (PFF03561)
6.4	5221PF03641 (PFF03641)

6. 針板 Needle Plate

針距	圖號
5.6	5221TP03562 (TPF03562)
6.4	5221TP03642 (TPF03642)

2. TC003 / TCB03 / TCS03氣動式切帶裝置 TC003 / TCB03 / TCS03 Pneumatic Type Tape Cutting Device

序號	物料編號	名稱	單位用量
Ref. No.	Parts Number	Description	Amt.Req.
1	4TC0030201	封蓋 Rear Plate -----	1
2	4TC0030202	護線蓋 Cloth Plate -----	1
3	4TC0030203	針板座 Needle Plate Seat -----	1
4	4TC0030204	壓腳棒 Presser Bar -----	1
5	-----	壓腳組 Presser Foot -----	1
5-A	5220PF0356M	螺絲 Screw (M3.5-0.6*8) -----	1
5-B	5220PF0356K	螺絲 Screw (1/8"-44*5) -----	1
5-C	5220PF0356J	彈簧 Spring -----	1
5-D	5220PF0356G	螺絲 Screw (1/8"-44*15) -----	1
5-E	5220PF0356D	螺帽 Nut -----	1
6	-----	針板 Needle Plate -----	1
7	5221FD03565	主送布齒 Main Feed Dog -----	1
8	4TC0030208	彈簧 Spring -----	1