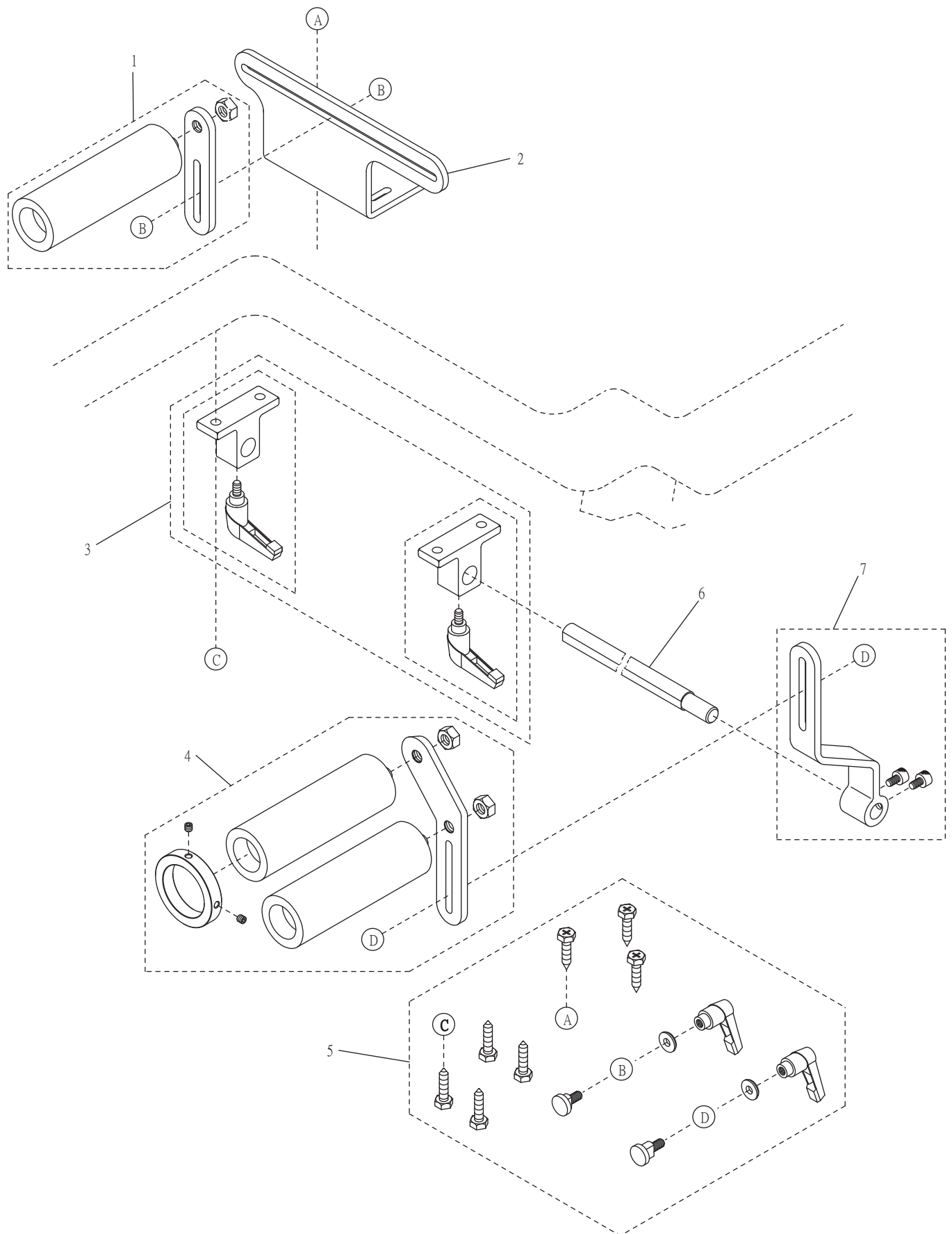


1. Tr001擴張滾輪組零件列表 Parts List For TR001 Roller Set



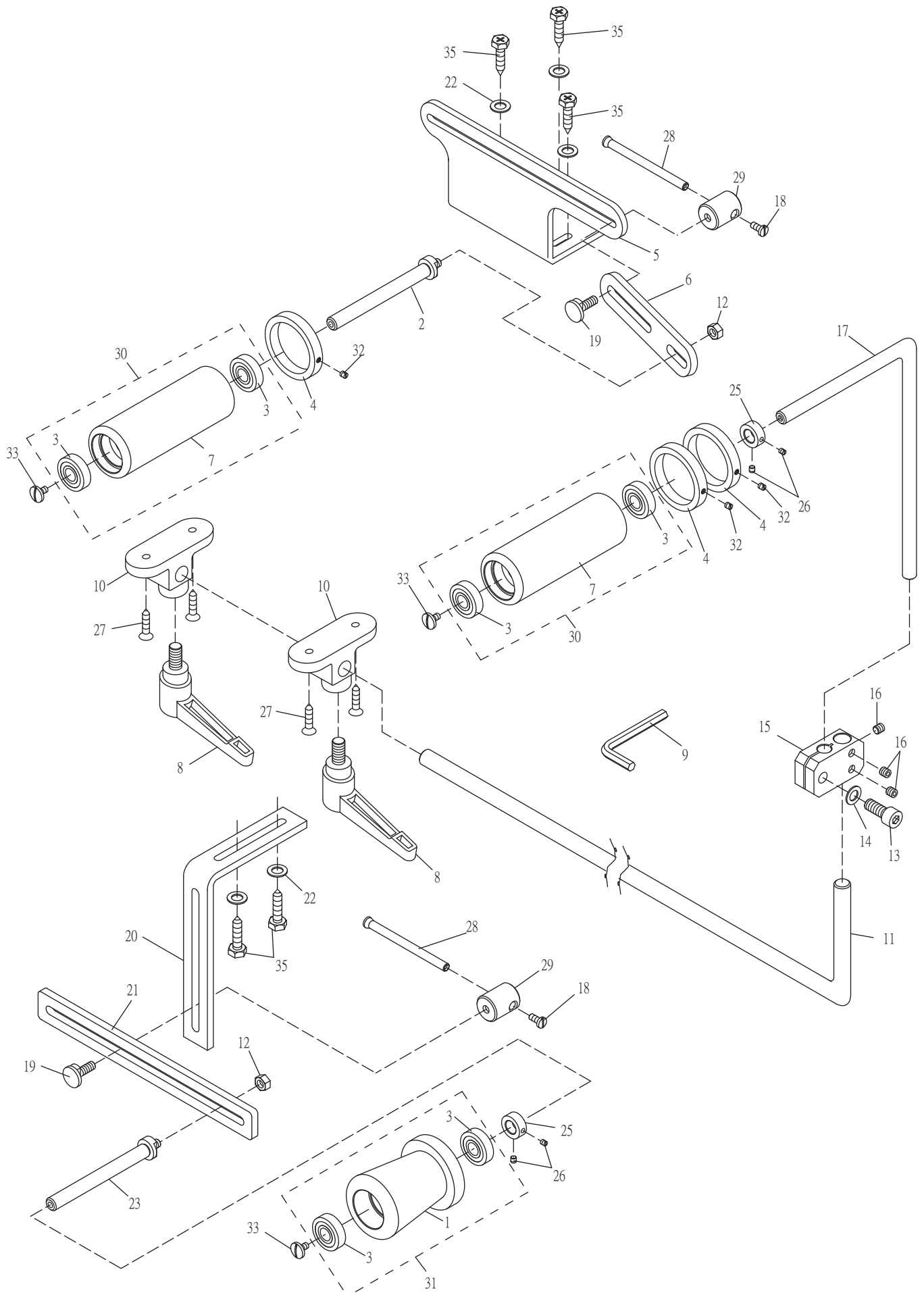
1. Tr001擴張滾輪組零件列表 Parts List For TR001 Roller Set

序號	物料編號	名稱	單位用量
Ref. No.	Parts Number	Description	Amt.Req.
1	4TR0010101	滾輪組 Roller Asm.-----	1
2	4TR0010102	滾輪座 Roller Seat -----	1
3	4TR0010103	支架組 Holder Bracket Asm. -----	1
4	4TR0010104	滾輪組 Roller Asm.-----	1
5	4TR0010105	螺絲組 Screw Asm. -----	1
6	4TR0010106	支架 Holder Bracket -----	1
7	4TR0010107	支架組 Holder Bracket Asm. -----	1

註: TR001 需整組購買

Note : TR001 roller set can not be purchased separately.

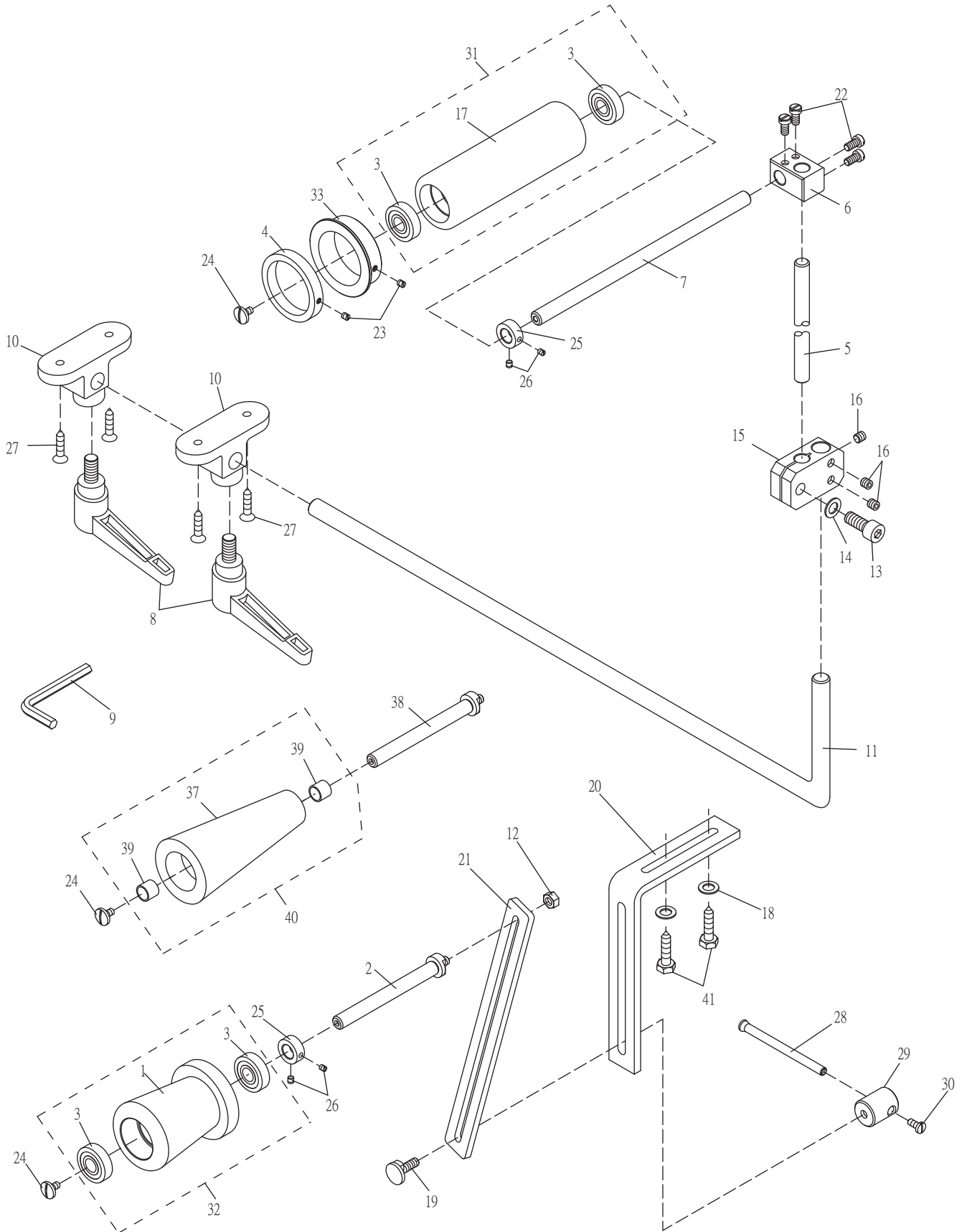
2. Tr002 擴張滾輪組零件列表 Part List For TR002 Roller Set



2.TR002 擴張滾輪組零件列表 Part List For TR002 Roller Set

序號	物料編號	名稱	單位用量
Ref. No.	Parts Number	Description	Amt.Req.
1	4TR00201011	滾輪 Roller -----	1
2	4TR00201021	軸 Shaft -----	1
3	90BB1026082	滾珠軸承 Ball Bearing -----	6
4	4TR0020104	鬆緊帶導模 Elastic Tape Guide -----	3
5	4TR0020105	滾輪座 Roller Seat -----	1
6	4TR0020106	滾輪臂 Roller Holder Arm -----	1
7	4TR00201071	滾輪 Roller -----	2
8	4TR0020108	固定扳手 Lock Lever -----	2
9	66641	六角扳手 Spanner 6MM -----	1
10	4TR0020110	支架座 Holder Bracket Seat -----	2
11	4TR0020111	支架 Holder Bracket -----	1
12	8MA06400510A	螺帽 Nut (CT0533) -----	2
13	8MM08502013A	螺絲 Screw (CT0106 M8-1.25*20) -----	1
14	90PW080	墊圈 Washer -----	1
15	4TR0020115	連接塊 Connecting Block -----	1
16	8MN06400600A	螺絲 Screw (CT0244 M6-1*6) -----	3
17	4TR00201171	支架 Holder Bracket -----	1
18	8SC44401008A	螺絲 Screw (SH1225 11/64"-40*10) -----	2
19	4TR0020119	螺樁 Stud -----	2
20	4TR0020120	滾輪臂 Roller Holder Arm -----	1
21	4TR0020121	滾輪臂 Roller Holder Arm -----	1
22	2200000910	墊圈 Washing -----	5
23	4TR0020123	軸 Shaft -----	1
24	-----	-----	-
25	4TR0020125	定位環 Collar -----	2
26	8MH85240500A	螺絲 Screw (CT0923 M3.5-0.6*5) -----	4
27	8WE37002400A	木螺絲 Wood Screw (CL450427) -----	4
28	4TR0020128	柄 Handle -----	2
29	4TR0020129	止動塊 Tension Roller Slider Stop -----	2
30	4TR002A0130	滾輪組 Roller Asm.-----	2
31	4TR002A0131	滾輪組 Roller Asm.-----	1
32	8MH04280400A	螺絲 Screw (CT1134 M4-0.7*4) -----	3
33	8SC44400812A	螺絲 Screw (CL450424 11/64"-40*8) -----	3
34	-----	-----	-
35	8WK45002900C	木螺絲 Wood Screw (CL450408) -----	5

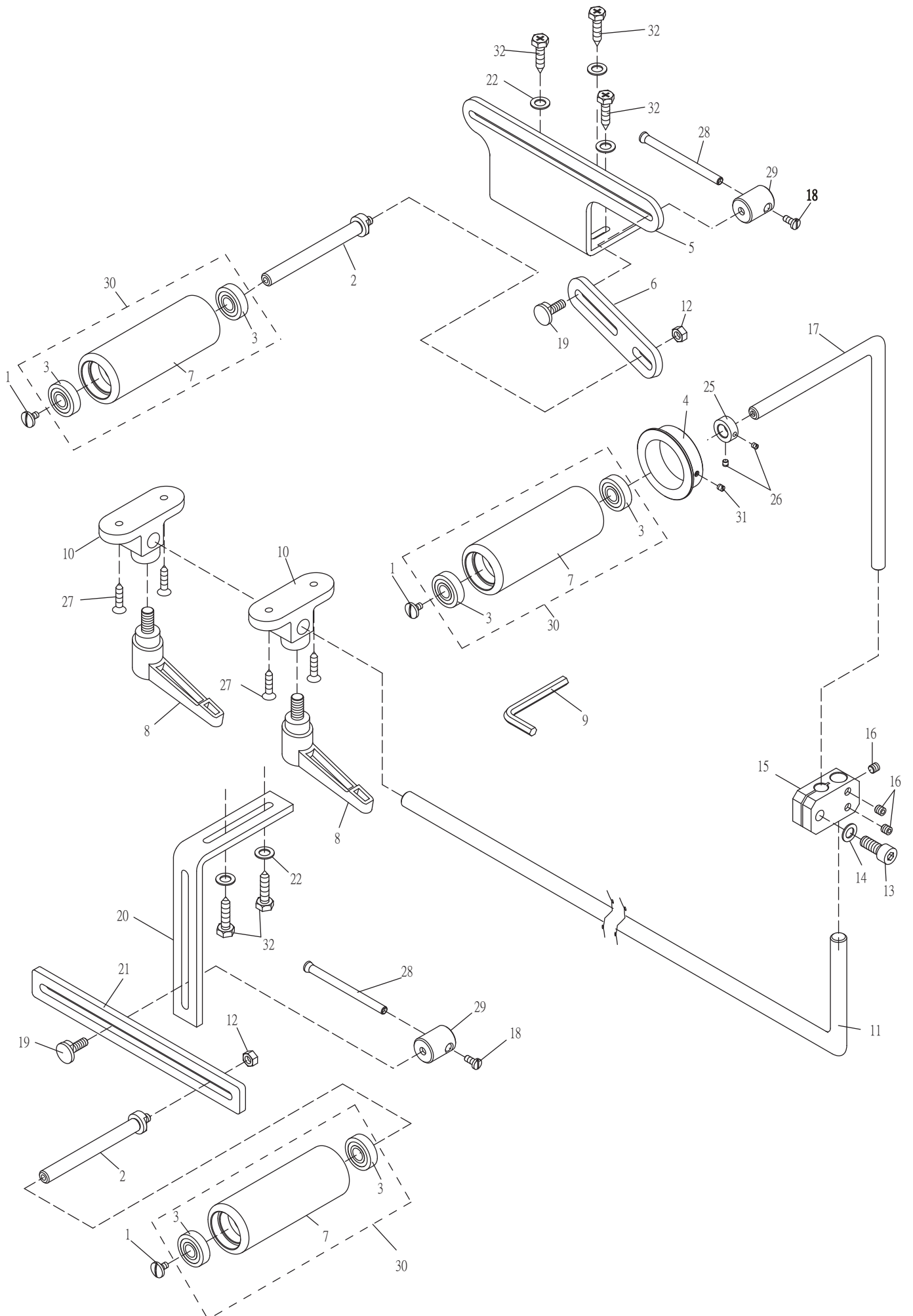
3. Tr003 擴張滾輪組零件列表 Part List For TR003 Roller Set



3. Tr003 擴張滾輪組零件列表 Part List For TR003 Roller Set

序號	物料編號	名稱	單位用量
Ref. No.	Parts Number	Description	Amt.Req.
1	4TR00201011	滾輪 Roller -----	1
2	4TR0020123	軸 Shaft -----	1
3	90BB1026082	滾珠軸承 Ball Bearing -----	4
4	4TR0020104	鬆緊帶導模 Elastic Tape Guide -----	1
5	2200850416	支架 Holder Bracker -----	1
6	2200850421	連接塊 Connecting Block -----	1
7	2270850423	支架 Holder Bracket -----	1
8	4TR0020108	固定板手 Lock Lever -----	2
9	66641	六角扳手 Spanner 6MM -----	1
10	4TR0020110	支架座 Holder Bracket Seat -----	2
11	4TR0020111	支架 Holder Bracket -----	1
12	8MA06400510A	螺帽 Nut (CT0533) -----	1
13	8MM08502013A	螺絲 Screw (CT0106 M8-1.25*20) -----	1
14	90PW080	墊圈 Washer -----	1
15	4TR0020115	連接塊 Connecting Block -----	1
16	8MN06400600A	螺絲 Screw (CT0244 M6-1*6) -----	3
17	2270850420	滾輪 Roller -----	1
18	2200000910	墊圈 Washing -----	2
19	4TR0020119	螺樁 Stud -----	1
20	4TR0020120	滾輪臂 Roller Holder Arm -----	1
21	4TR0020121	滾輪臂 Roller Holder Arm -----	1
22	8MB05321008K	螺絲 Screw (CT0233 M5-0.8*10) -----	4
23	8MH04280400A	螺絲 Screw (CT1134 M4-0.7*4) -----	2
24	8SC44400812A	螺絲 Screw (CL450424 11/64"-40*8) -----	2
25	4TR0020125	定位環 Collar -----	2
26	8MH85240500A	螺絲 Screw (CT0923 M3.5-0.6*5) -----	4
27	8WE37002400A	木螺絲 Wood Screw (CL450427) -----	4
28	4TR0020128	柄 Handle -----	1
29	4TR0020129	止動塊 Tension Roller Slider Stop -----	1
30	8SC44401008A	螺絲 Screw (SH1225 11/64"-40*10) -----	1
31	4TR003A0131	滾輪 Roller Asm.-----	1
32	4TR002A0131	滾輪 Roller Asm.-----	1
33	2270850418	鬆緊帶導模 Elastic Tape Guide -----	1
34	-----	-----	-
35	-----	-----	-
36	-----	-----	-
37	4TR0020101	滾輪 Roller -----	1
38	4TR0020102	軸 Shaft -----	1
39	4TR0020103	軸襯 Lower Roller Bushing -----	2
40	4TR002A0133	滾輪組 Roller Asm.-----	1
41	8WK45002900C	木螺絲 Wood Screw (CL450408) -----	2

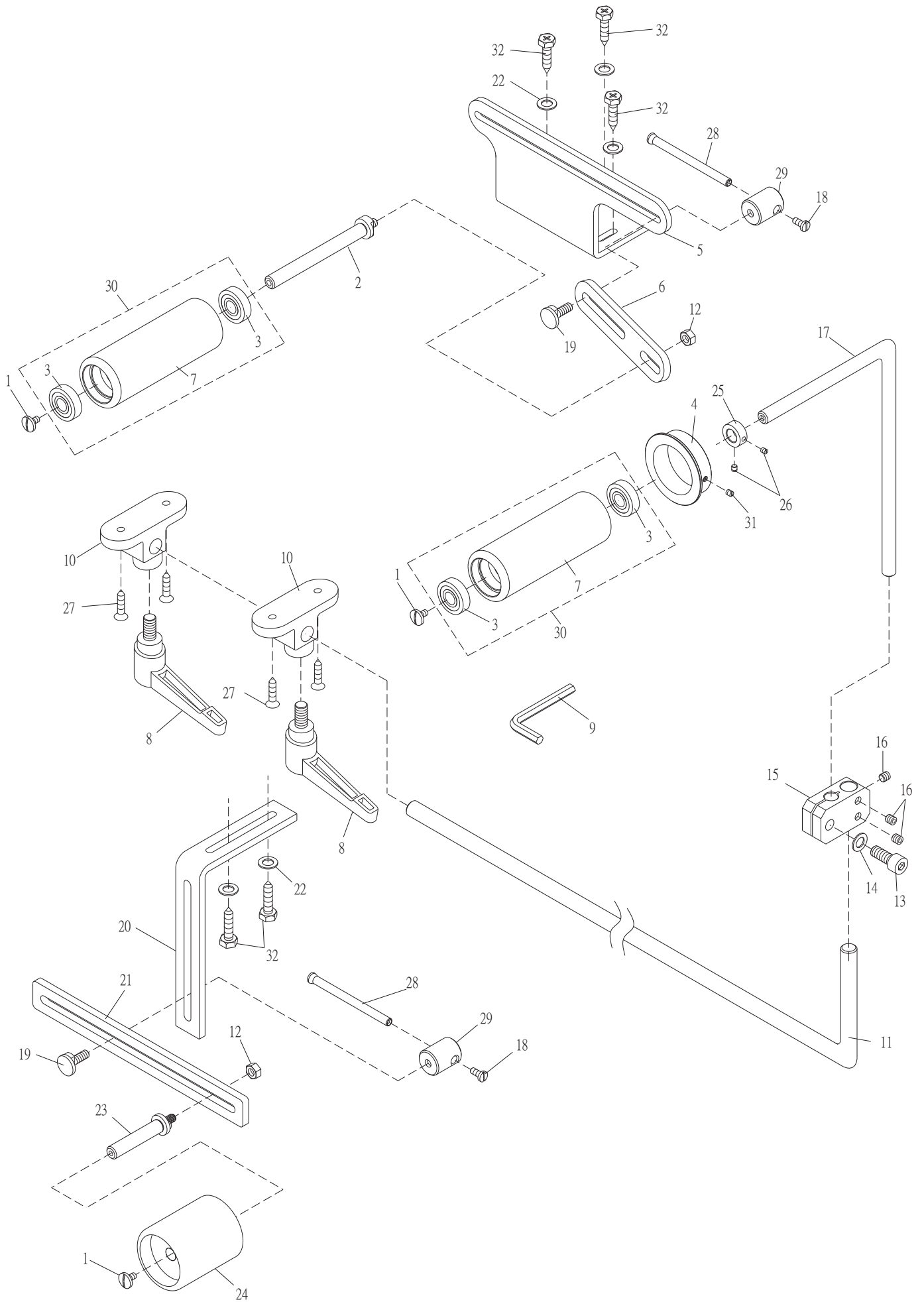
4. Tr005 擴張滾輪組零件列表 Part List For Tr0053 Roller Set



4. Tr005 擴張滾輪組零件列表 Part List For Tr0053 Roller Set

序號	物料編號	名稱	單位用量
Ref. No.	Parts Number	Description	Amt.Req.
1	8SC44400812A	螺絲 Screw (CL450424 11/64"-40*8) -----	3
2	4TR00201021	軸 Shaft -----	2
3	90BB1026082	滾珠軸承 Ball Bearing -----	6
4	2270850418	鬆緊帶導模 Elastic Tape Guide -----	1
5	4TR0020105	滾輪座 Roller Seat -----	1
6	4TR0020106	滾輪臂 Roller Holder Arm -----	1
7	4TR00201071	滾輪 Roller -----	3
8	4TR0020108	固定扳手 Lock Lever -----	2
9	66641	六角扳手 Spanner 6MM -----	1
10	4TR0020110	支架座 Holder Bracket Seat -----	2
11	4TR0020111	支架 Holder Bracket -----	1
12	8MA06400510A	螺帽 Nut (CT0533) -----	2
13	8MM08502013A	螺絲 Screw (CT0106 M8-1.25*20) -----	1
14	90PW080	墊圈 Washer -----	1
15	4TR0020115	連接塊 Connecting Block -----	1
16	8MN06400600A	螺絲 Screw (CT0244 M6-1*6) -----	3
17	4TR00201171	支架 Holder Bracket -----	1
18	8SC44401008A	螺絲 Screw (SH1225 11/64"-40*10) -----	2
19	4TR0020119	螺樁 Stud -----	2
20	4TR0020120	滾輪臂 Roller Holder Arm -----	1
21	4TR0020121	滾輪臂 Roller Holder Arm -----	1
22	2200000910	墊圈 Washing -----	5
23	-----	-----	-
24	-----	-----	-
25	4TR0020125	定位環 Collar -----	1
26	8MH85240500A	螺絲 Screw (CT0923 M3.5-0.6*5) -----	2
27	8WE37002400A	木螺絲 Wood Screw (CL450427) -----	4
28	4TR0020128	柄 Handle -----	2
29	4TR0020129	止動塊 Tension Roller Slider Stop -----	2
30	4TR002A0130	滾輪組 Roller Asm.-----	3
31	8MH04280400A	螺絲 Screw (CT1134 M4-0.7*4) -----	1
32	8WK45002900C	木螺絲 Wood Screw (CL450408) -----	5

5. Tr006 擴張滾輪組零件列表 Part List For Tr006 Roller Set



5. Tr006 擴張滾輪組零件列表 Part List For Tr006 Roller Set

序號	物料編號	名稱	單位用量
Ref. No.	Parts Number	Description	Amt.Req.
1	8SC44400812A	螺絲 Screw (CL450424 11/64"-40*8) -----	3
2	4TR00201021	軸 Shaft -----	1
3	90BB1026082	滾珠軸承 Ball Bearing -----	4
4	2270850418	鬆緊帶導模 Elastic Tape Guide -----	1
5	4TR0020105	滾輪座 Roller Seat -----	1
6	4TR0020106	滾輪臂 Roller Holder Arm -----	1
7	4TR00201071	滾輪 Roller -----	2
8	4TR0020108	固定扳手 Lock Lever -----	2
9	66641	六角扳手 Spanner 6MM -----	1
10	4TR0020110	支架座 Holder Bracket Seat -----	2
11	4TR0020111	支架 Holder Bracket -----	1
12	8MA06400510A	螺帽 Nut (CT0533) -----	2
13	8MM08502013A	螺絲 Screw (CT0106 M8-1.25*20) -----	1
14	90PW080	墊圈 Washer -----	1
15	4TR0020115	連接塊 Connecting Block -----	1
16	8MN06400600A	螺絲 Screw (CT0244 M6-1*6) -----	3
17	4TR00201171	支架 Holder Bracket -----	1
18	8SC44401008A	螺絲 Screw (SH1225 11/64"-40*10) -----	2
19	4TR0020119	螺樁 Stud -----	2
20	4TR0020120	滾輪臂 Roller Holder Arm -----	1
21	4TR0020121	滾輪臂 Roller Holder Arm -----	1
22	2200000910	墊圈 Washing -----	5
23	4TR0060123	軸 Shaft -----	1
24	2200850420	滾輪 Roller -----	1
25	4TR0020125	定位環 Collar -----	1
26	8MH85240500A	螺絲 Screw (CT0923 M3.5-0.6*5) -----	2
27	8WE37002400A	木螺絲 Wood Screw (CL450427) -----	4
28	4TR0020128	柄 Handle -----	2
29	4TR0020129	止動塊 Tension Roller Slider Stop -----	2
30	4TR002A0130	滾輪組 Roller Asm.-----	2
31	8MH04280400A	螺絲 Screw (CT1134 M4-0.7*4) -----	1
32	8WK45002900C	木螺絲 Wood Screw (CL450408) -----	5