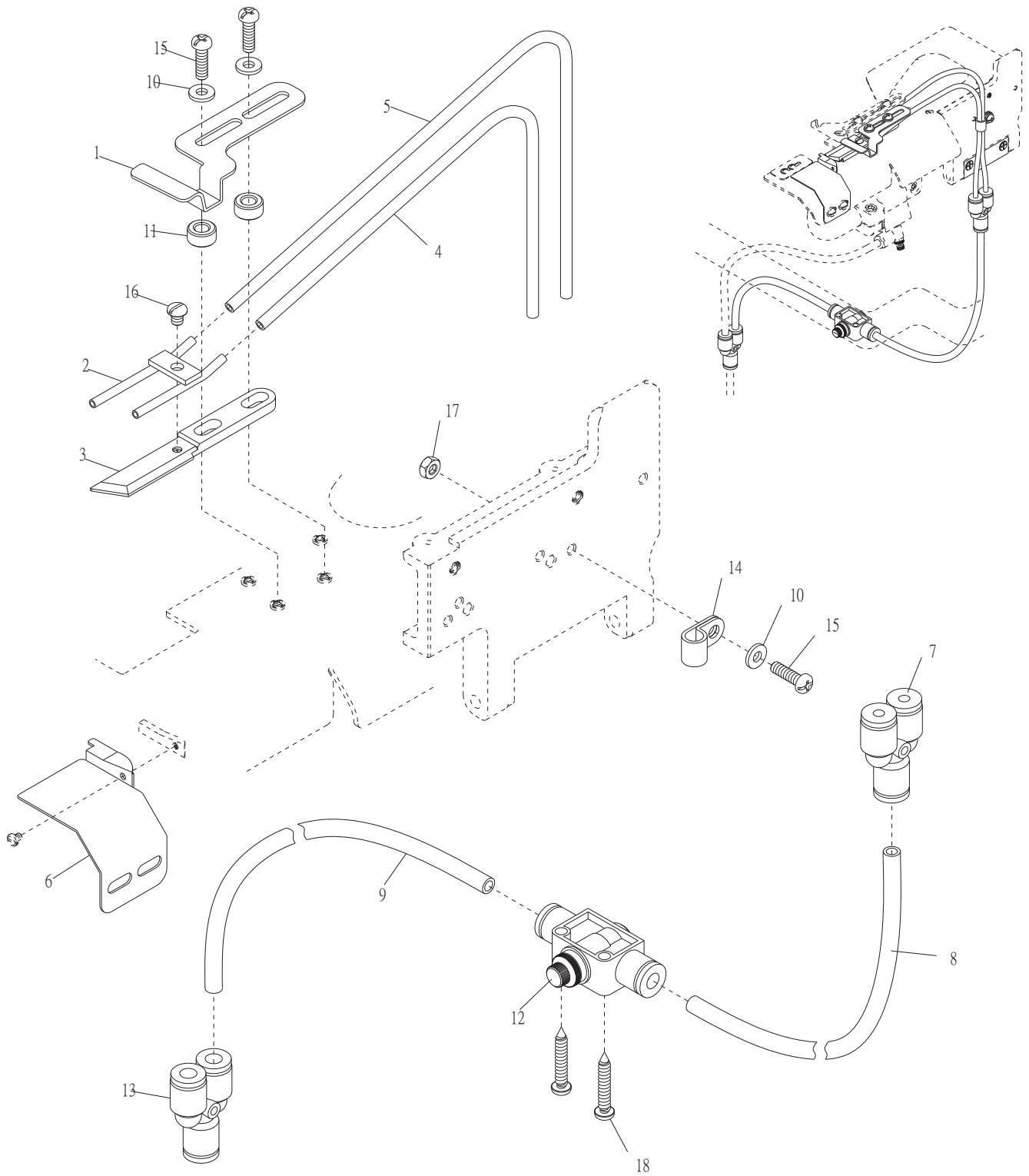


Un001 氣動式防捲邊裝置 UN001 Air Operated Fabric Uncurlerd



Un001 氣動式防捲邊裝置 UN001 Air Operated Fabric Uncurler

序號 Ref.No.	圖號 Parts No.	名稱 Description	單位用量 Amt .Req.
1	4UN0010101	導模 Edge Guide -----	1
2	4UN0010102	吹氣管 Blow Tube -----	1
3	4UN0010103	導模 Edge Guide -----	1
4	4UN0010104	空氣管 Air Tube (Ψ4*2.5*240mm) -----	1
5	4UN0010105	空氣管 Air Tube (Ψ4*2.5*250mm) -----	1
6	4UN0010106	導模 Edge Guide -----	1
7	4UN0010107	Y型管接頭 Y Connector -----	1
8	4UN0010108	空氣管 Air Tube (Ψ6*4*250mm) -----	1
9	4UN0010109	空氣管 Air Tube (Ψ6*4*350mm) -----	1
10	2100000223	墊圈 Washer -----	3
11	2200001141	隔環 Spacer -----	2
12	2206110228	節流閥 Speed Controller -----	1
13	4TC012016	Y型管接頭 Y Connector -----	1
14	4UTD000254	線夾 Cord Clamp -----	1
15	8MC04281407D	螺絲 Screw (CT0225 M4-0.7*14) -----	3
16	8MB04280507K	螺絲 Screw (FT0235 M4-0.7*5) -----	1
17	8MA04280307A	螺帽 Nut (CT0238 M4-0.7*3) -----	1
18	8WC42002500B	木螺絲 Wood Screw (UN10118) -----	2

註：此裝置僅適用於CT9311機型

Note : This device is suitable for the model CT9311 only.