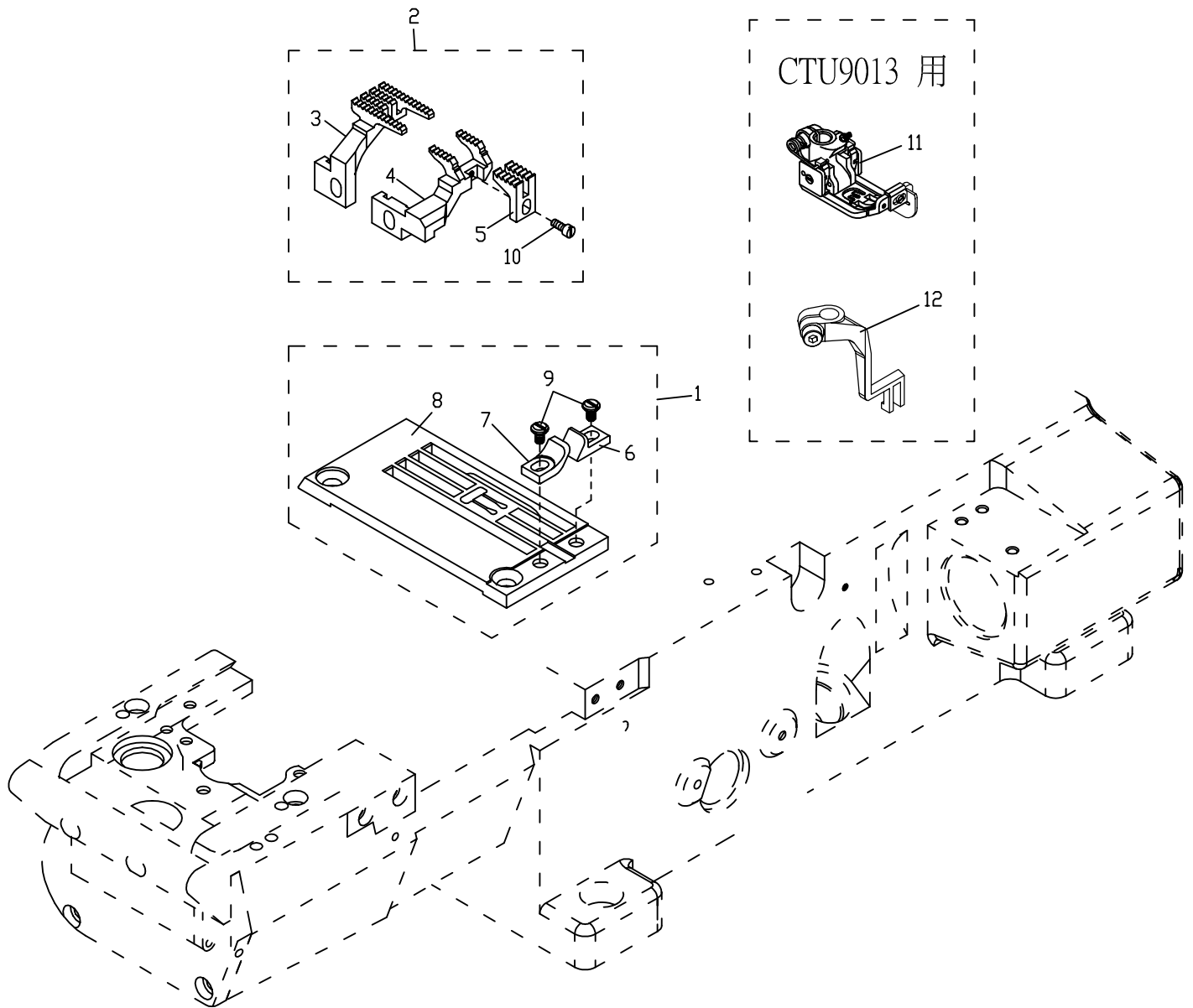


1. CT9013 - 0 / CTD9013 - 0 / CTU9013-0 / CX2013-0 / CXD2013-0 包縫骨壓縫用零件列表
 Parts List For CT9013 - 0 / CTD9013 - 0 / CTU9013-0 / CX2013-0 / CXD2013-0
 Overlock Seam Covering



序號 Ref.No.	名稱 Description	針數 Number Of Needle / 針距 Distance Of Needles			
		2 Needle/4.0	3 Needle/4.8	3 Needle/5.6	3 Needle/6.4
1	針板組 Needle Plate Asm.	5222TP13403	5222TP13483	5222TP13563	5222TP13643
2	送布齒組 Feed Dog Asm.	5222DG0001	5222DG0001	5222DG0001	5222DG0002
3	主送布齒 Main Feed Dog	5220FD00563	5220FD00563	5220FD00563	5220FD00643
4	副送布齒 Diff Feed Dog	5220DF13563	5220DF13563	5220DF13563	5220DF13643
5	輔助送布齒 Aux Feed Dog	5220AF13560	5220AF13560	5220AF13560	5220AF13640
8	針板 Needle Plate	5222TP13403A	5222TP13483A	5222TP13563A	5222TP13643A
* 11	壓腳 Presser Foot Asm.	-	-	5227PFT00561	5227PFT00641

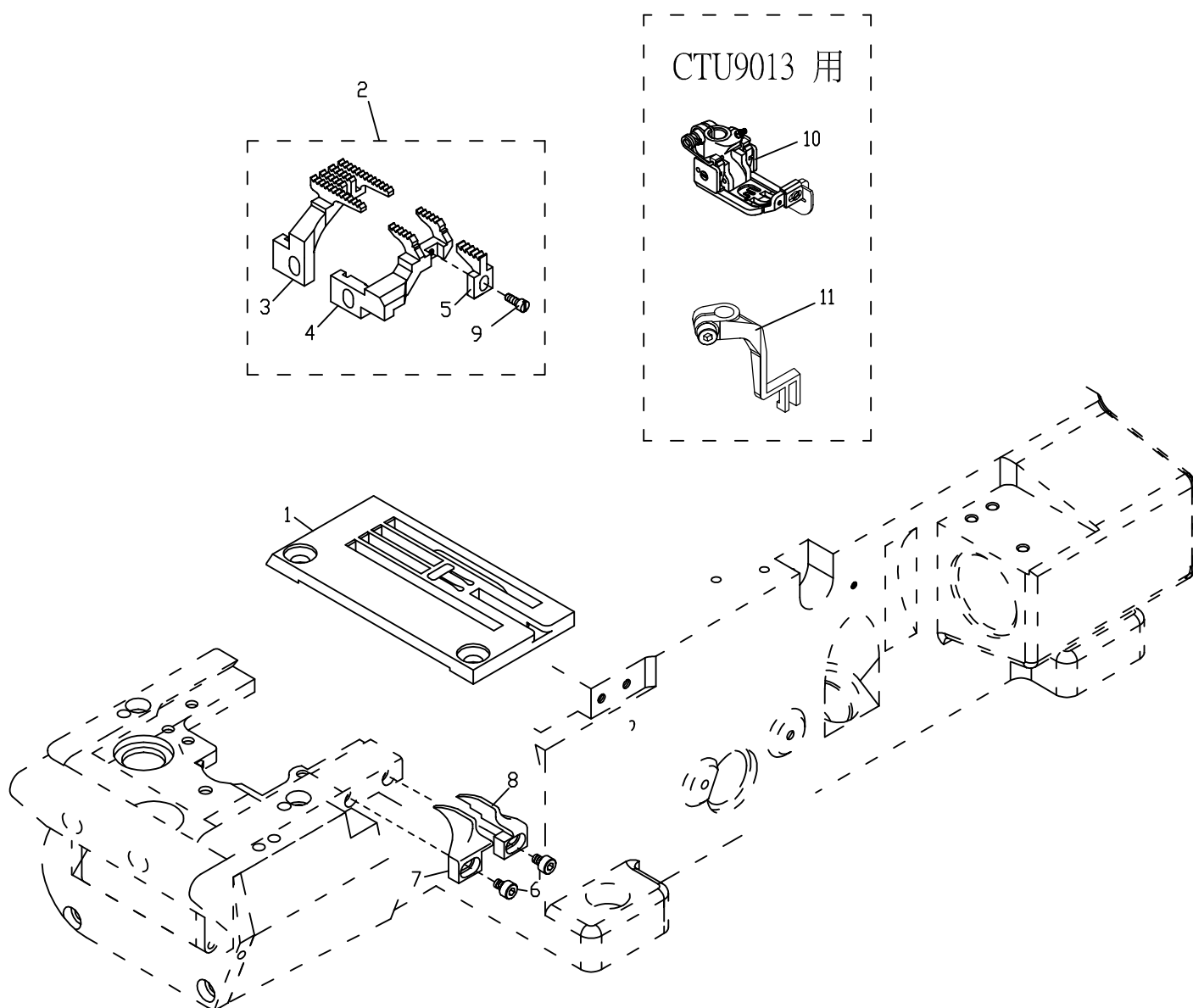
1. CT9013-0 / CTD9013-0 / CTU9013-0 / CX2013-0 / CXD2013-0 包縫骨壓縫用零件列表

Overlock Seam Covering For CT9013-0/CTD9013-0/CTU9013-0/CX2013-0/CXD2013-0

序號 Ref.No.	物料編號 Parts No.	名稱 Description	單位用量 Amt. Req.
1	-----	針鉸組 Needle Plate Asm. (See left page) -----	1
2	-----	送布齒組 Feed Dog Asm. (See Left Page)-----	1
3	-----	主送布齒 Main Feed Dog (See left page) -----	1
4	-----	副送布齒 Diff Feed Dog (See left page) -----	1
5	-----	輔助送布齒 Aux Feed Dog (See left page) -----	1
6	22001301061	右導模 Fabric Guide (R)-----	1
7	22001301071	左導模 Fabric Guide (L)-----	1
8	-----	針鉸 Needle Plate (See Left page) -----	1
9	8MB75180405A	螺絲 Screw (CT0529 M2.5-0.45*3.5) -----	2
10	8MB75180506B	螺絲 Screw -----	1
* 11	-----	壓腳 Presser Foot Asm. (See left page) -----	1
* 12	5227DGT00561	上送布齒組 Top Feed Dog -----	1

* For CTU9013-0 用

2. CT9013 - 1 / CTD9013 - 1 / CTU9013-1 / CX2013-1 / CXD2013-1 包縫骨壓縫用零件列表
 Parts List For CT9013 - 1 / CTD9013 - 1 / CTU9013-1 / CX2013-1 / CXD2013-1
 Overlock Seam Covering



序號 Ref.No.	名稱 Description	針數 Number of Needle / 針距 Distance of Needles			
		2 Needle/4.0	3 Needle/4.8	3 Needle/5.6	3 Needle/6.4
1	針板 Needle Plate	5222TP13404	5222TP13484	5222TP13564	5222TP13644
2	送布齒組 Feed Dog Asm.	5222DG0003	5222DG0003	5222DG0003	5222DG0004
3	主送布齒 Main Feed Dog	5220FD00563	5220FD00563	5220FD00563	5220FD00643
4	副送布齒 Diff Feed Dog	5220DF13563	5220DF13563	5220DF13563	5220DF13643
5	輔助送布齒 Aux Feed Dog	5220AF13561	5220AF13561	5220AF13561	5220AF13561
* 10	壓腳 Presser Foot Asm.	-	-	5227PFT00561	5227PFT00641

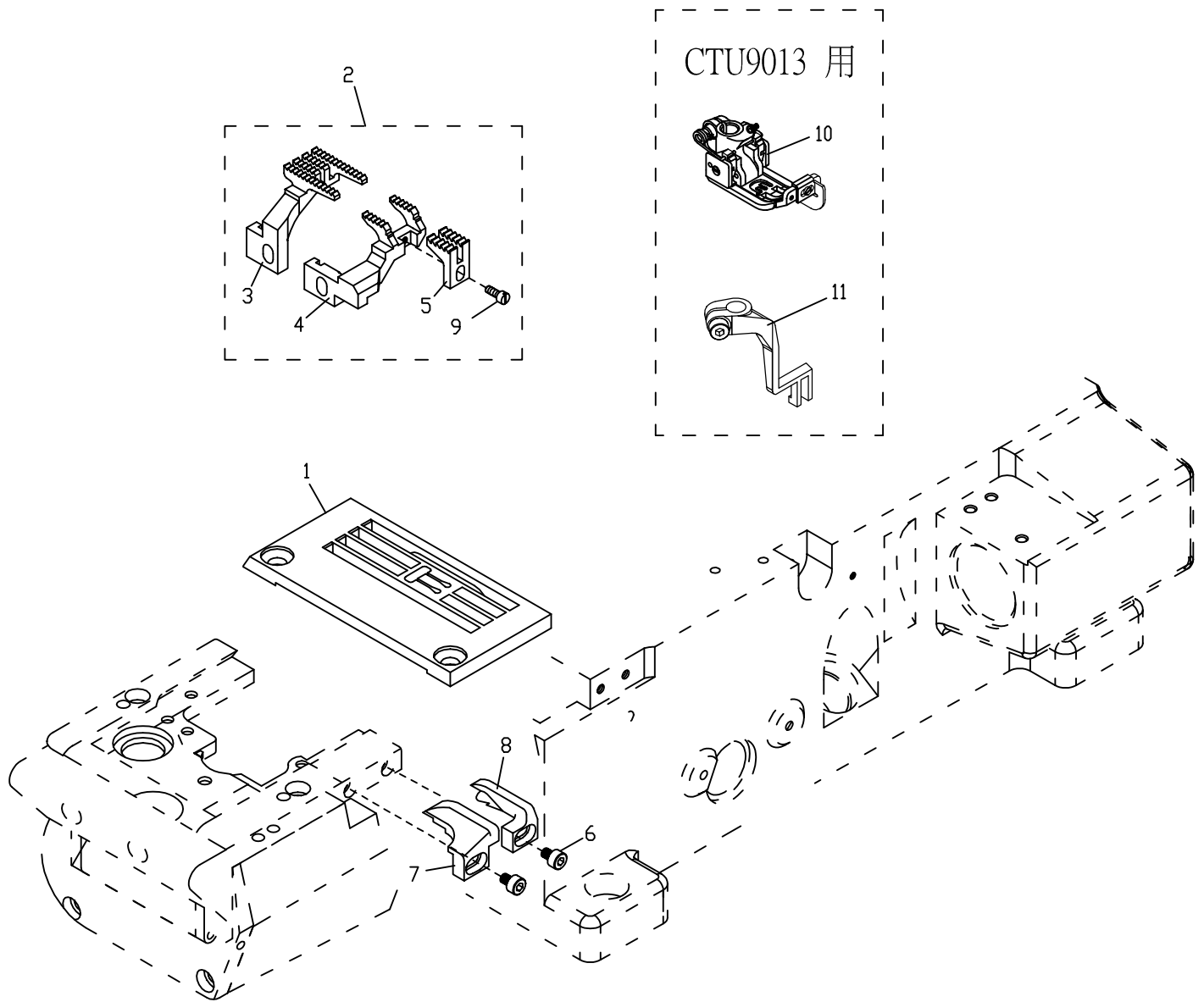
2. CT9013-1 / CTD9013-1 / CTU9013-1 / CX2013-1 / CXD2013-1 包縫骨壓縫用零件列表

Overlock Seam Covering For CT9013-1/CTD9013-1/CTU9013-1/CX2013-1/CXD2013-1

序號 Ref.No.	物料編號 Parts No.	名稱 Description	單位用量 Amt. Req.
1	-----	針板 Needle Plate (See Left page) -----	1
2	-----	送布齒組 Feed Dog Asm. (See Left Page)-----	1
3	-----	主送布齒 Main Feed Dog (See Left page) -----	1
4	-----	副送布齒 Diff Feed Dog (See Left page) -----	1
5	-----	輔助送布齒 Aux Feed Dog (See Left page) -----	1
6	8MM03200406A	螺絲 Screw (WPB0116 M3-0.5*4) -----	2
7	2200130401	左導模 Fabric Guide (L) -----	1
8	2200130402	右導模 Fabric Guide (R) -----	1
9	8MB75180506B	螺絲 Screw -----	1
* 10	-----	壓腳 Presser Foot Asm. (See left page) -----	1
* 11	5227DGT00561	上送布齒組 Top Feed Dog -----	1

* For CTU9013-1 用

3. CT9013 - 2 / CTD9013 - 2 / CTU9013-2 / CX2013-2 / CXD2013-2 包縫骨壓縫用零件列表
 Parts List For CT9013 - 2 / CTD9013 - 2 / CTU9013-2 / CX2013-2 / CXD2013-2
 Overlock Seam Covering



序號 Ref.No.	名稱 Description	針數 Number Of Needle / 針距 Distance Of Needles			
		2 Needle/4.0	3 Needle/4.8	3 Needle/5.6	3 Needle/6.4
1	針板 Needle Plate	5222TP13402	5222TP13482	5222TP13562	5222TP13642
2	送布齒組 Feed Dog Asm.	5222DG0001	5222DG0001	5222DG0001	5222DG0002
3	主送布齒 Main Feed Dog	5220FD00563	5220FD00563	5220FD00563	5220FD00643
4	副送布齒 Diff Feed Dog	5220DF13563	5220DF13563	5220DF13563	5220DF13643
5	輔助送布齒 Aux Feed Dog	5220AF13560	5220AF13560	5220AF13560	5220AF13640
* 10	壓腳 Presser Foot Asm.	-	-	5227PFT00561	5227PFT00641

3. CT9013-2 / CTD9013-2 / CTU9013-2 / CX2013-2 / CXD2013-2 包縫骨壓縫用零件列表

Overlock Seam Covering For CT9013-2/CTD9013-2/CTU9013-2/CX2013-2/CXD2013-2

序號 Ref.No.	物料編號 Parts No.	名稱 Description	單位用量 Amt. Req.
1	-----	針板 Needle Plate (See Left page) -----	1
2	-----	送布齒組 Feed Dog Asm. (See Left Page)-----	1
3	-----	主送布齒 Main Feed Dog (See Left page) -----	1
4	-----	副送布齒 Diff Feed Dog (See Left page) -----	1
5	-----	輔助送布齒 Aux Feed Dog (See Left page) -----	1
6	8MM03200406A	螺絲 Screw (WPB0116 M3-0.5*4) -----	2
7	2200130403	左導模 Fabric Guide (L) -----	1
8	2200130404	右導模 Fabric Guide (R) -----	1
9	8MB75180506B	螺絲 Screw -----	1
* 10	-----	壓腳 Presser Foot Asm. (See left page) -----	1
* 11	5227DGT00561	上送布齒組 Top Feed Dog -----	1

* For CTU9013-2 用