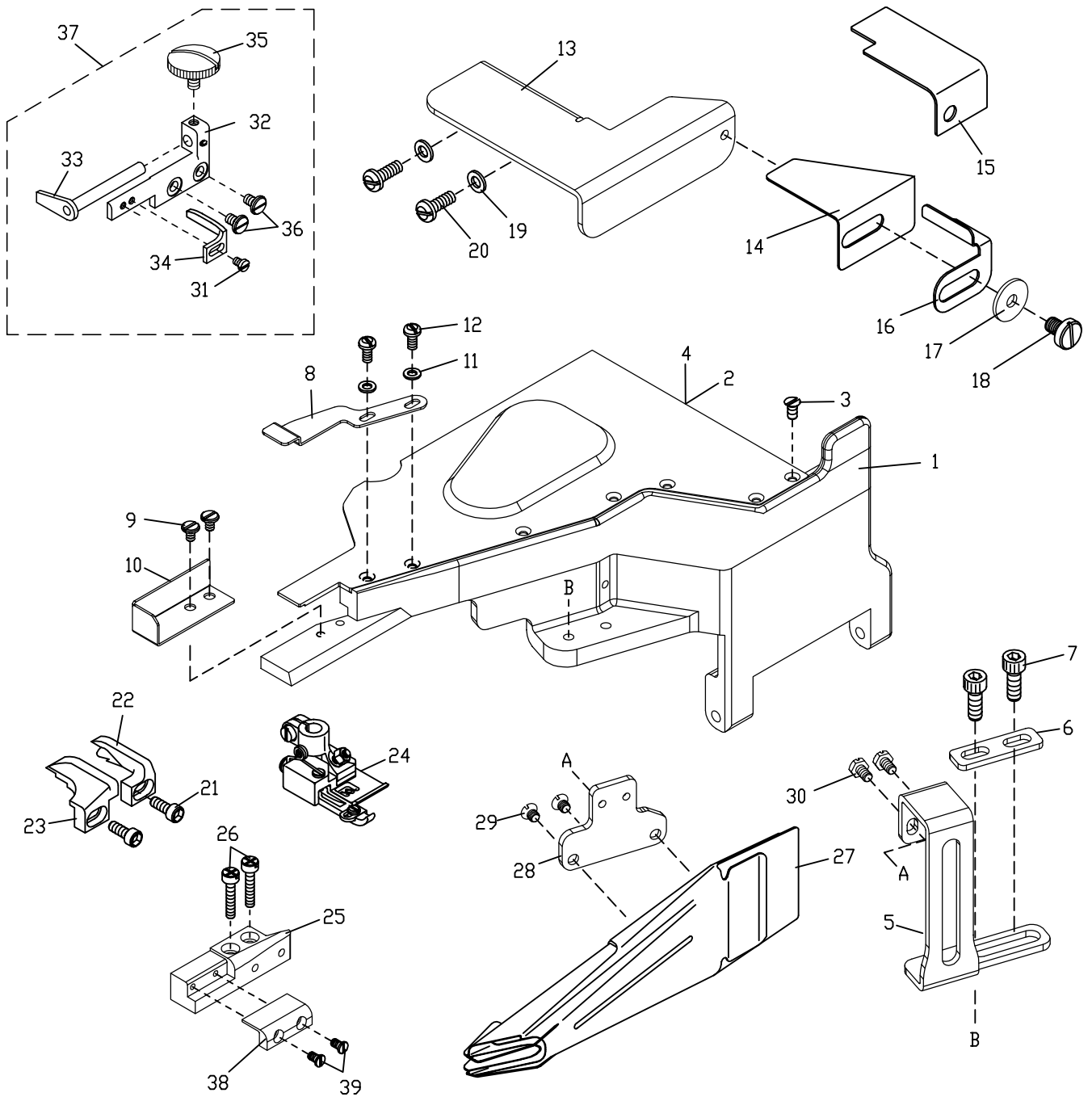
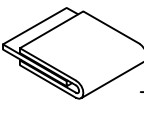
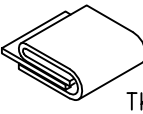
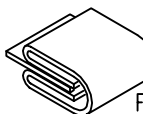


1. CX20A3 / CXD20A3 / CXM20A3 筒形圓領包邊用零件列表 (三合一款)  
Collarettes Knitted Binding



27. 導模型式 Folder Type

導模型式 Folder Type	 2 折 Two Fold	 3 折 Three Fold	 4 折 Four Fold
圖號 Parts NO.	221FR0201 (F030208FD2)	221FR0301 (F030208FD3)	221FR0401 (F030208FD4)

序號 Ref.No.	名稱 Description	針數 Number Of Needle / 針距 Distance Of Needles				
		2 Needle/3.2	2 Needle/4.0	3 Needle/4.8	3 Needle/5.6	3 Needle/6.4
24	壓腳 Presser Foot	5222PF03321	5222PF03401	5222PF03482	5222PF03561	5222PF03641

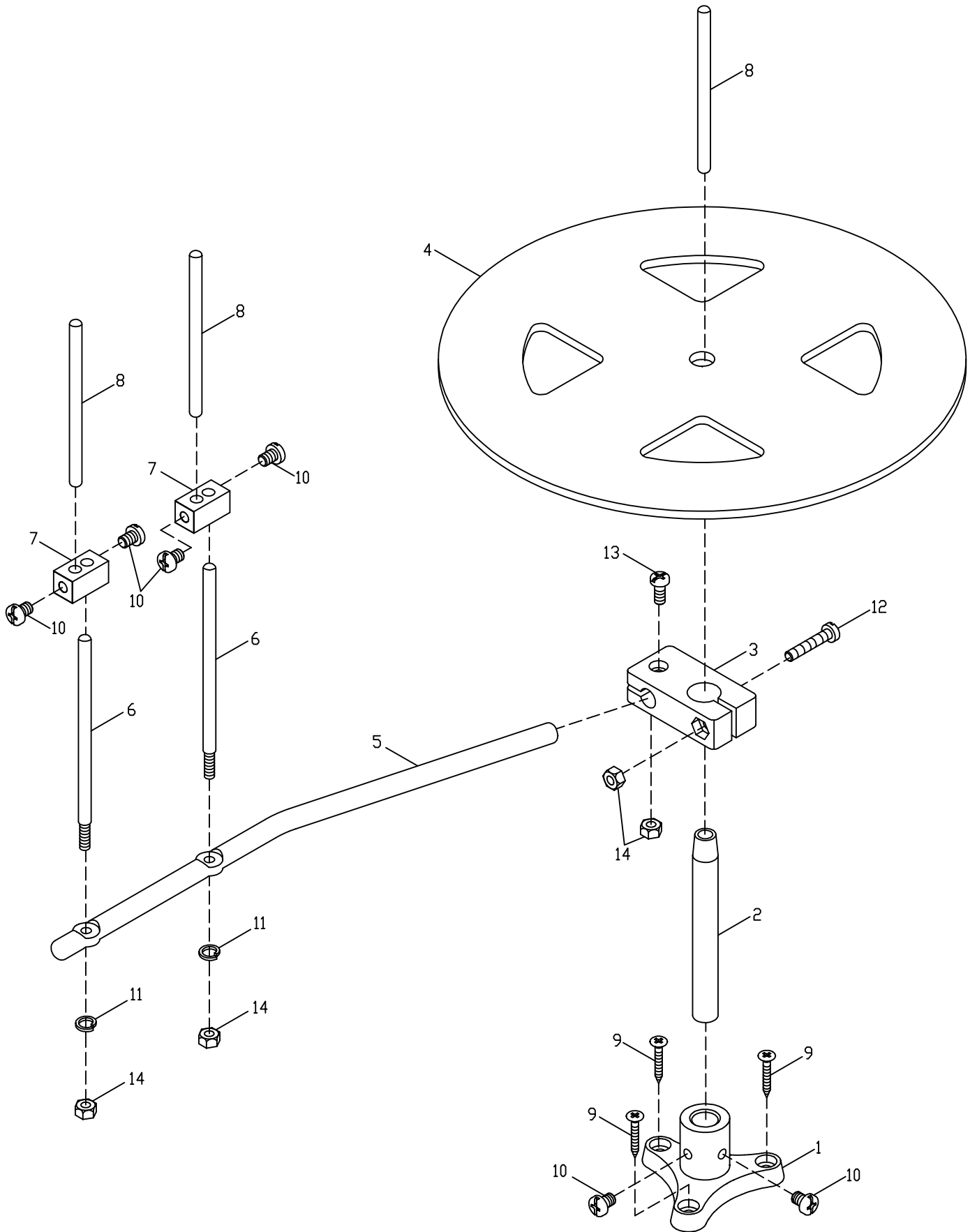
# 1. CX20A3 / CXD20A3 / CXM20A3 筒形圓領包邊用零件列表 (三合一款)

## Collarete Knitted Binding

序號 Ref.No.	物料編號 Parts No.	名稱 Description	單位用量 Amt.Req.
1	2600A30101	下座前蓋 Front Cover -----	1
2	2600A30102	護線蓋 Cloth Plate ( 3.2 ~ 5.6 ) -----	1
3	8ME03200606A	螺絲 Screw (CT0235 M3-0.5*6) -----	7
4	2600A30104	護線蓋 Cloth Plate ( 6.4 ) -----	1
5	2600A30205	支架 Knife Holder Bracket -----	1
6	2200030206	夾板 Fixing Plate -----	1
7	8MM05321009A	螺絲 Screw (C06-26 M5-0.8*10) -----	2
8	2600A30208	導模 Edge Guide -----	1
9	8MB04280608A	螺絲 Screw (UTB1-01-30 M4-0.7*6) -----	2
10	2600A30210	防塵蓋 Dust Cover -----	1
11	90PW030	墊圈 Washer -----	2
12	8MB03200806K	螺絲 Screw (C06-23 M3-0.5*8) -----	2
13	2600A30213	布板 Cloth Plate -----	1
14	2200030214	導帶布板 Fabric Side Plate -----	1
15	2200030215	輔助布板 Aux. Cloth Plate -----	1
16	2210030224	輔助布板 Aux. Cloth Plate -----	1
17	2310001309	墊圈 Washer -----	1
18	8MB05320710A	螺絲 Screw (C030217 M5-0.8*7) -----	1
19	90PW040	墊圈 Washer -----	2
20	8MB04280807K	螺絲 Screw (C02-15 M4-0.7*8) -----	2
21	8MM03200606A	螺絲 Screw -----	2
22	2200130403	左導模 Fabric Guide (L) -----	1
23	2200130404	右導模 Fabric Guide (R) -----	1
24	-----	壓腳組 Press Foot Asm. (See Left Page) -----	1
25	2600A30105	下座前蓋活動塊 Movable Block -----	1
26	8MC04281607D	螺絲 Screw (UH01-77 M4-0.7*16) -----	2
*27	-----	成形導模 Folder (See Left Page) -----	1
28	2600030202	支架 Knife Holder Bracket -----	1
29	8SE44400607A	螺絲 Screw (CXD03-02-03 11/64"-40*5.5) -----	2
30	8MK04280707A	螺絲 Screw (UT12A-01-26 M4-0.7*7) -----	2
31	8MB03200405A	螺絲 Screw (FT0548 M3-0.5*4) -----	1
32	4EG0050101	擋塊 Plate -----	1
33	4EG0050102	導模 Fabric Guide -----	1
34	4EG00501031	導模 Fabric Guide -----	1
35	4EG0050104	螺樁 Stud -----	1
36	8MB04280608A	螺絲 Screw (UTB0130 M4-0.7*6) -----	2
37	/EG005	導模組 Fabric Guide Asm. -----	1
38	2600000207	活動塊 Movable Block -----	1
39	8MB03200505K	螺絲 Screw (S03-38-01 M3-0.5*5) -----	2

\* 特註品 Custom-mode Item

# 2.TS008 滾條架 Tape Stand



## 2.TS008 滾條架 TS008 Tape Stand

序號 Ref.No.	圖號 Parts No	名稱 Description	單位用量 Amt.Req.
1	4TS008001	座 Stand Base -----	1
2	4TS008002	立柱 Rod -----	1
3	4TS008003	接頭 Joint -----	1
4	4TS008004	承盤 Plastic Plate -----	1
5	4TS008005	旋臂 Arm -----	1
6	4TS008006	線盤軸 Spool Pin -----	2
7	4TS008007	定位調整塊 Tape Adjusting Holder -----	2
8	4TS008008	軸 Shaft -----	3
9	8ME34002500A	木螺絲 Wood Screw -----	3
10	8MC06400810A	螺絲 Screw -----	6
11	90SW050	彈簧墊圈 Spring Washer -----	2
12	8MC05322709A	螺絲 Screw -----	1
13	8MC05321109A	螺絲 Screw -----	1
14	8MA03200408A	螺帽 Nut -----	4