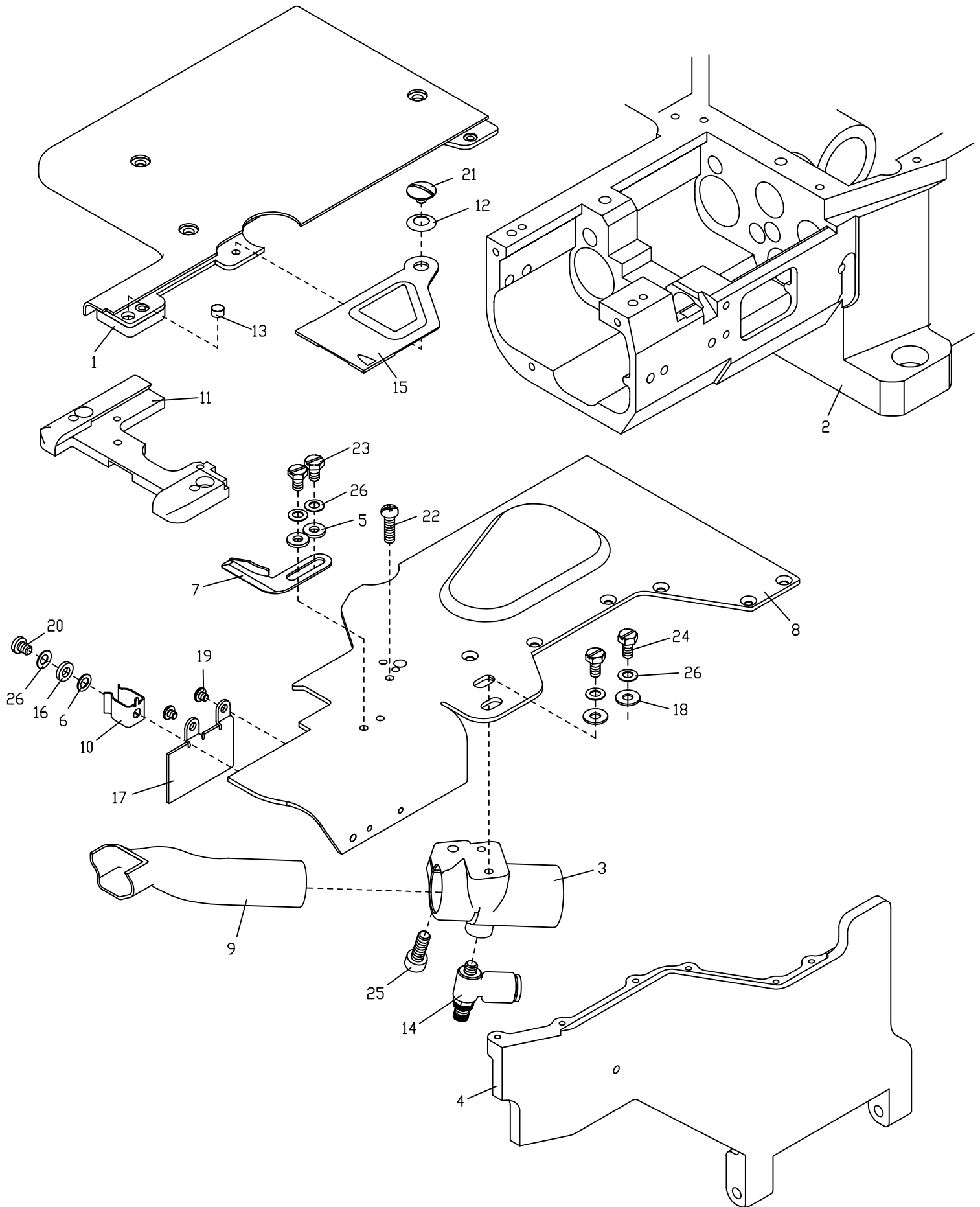


1. CX2085 / CXD2085 / CXM2085 專用零件 (A)
CX2085 / CXD2085 / CXM2085 Exclusive Parts (A)

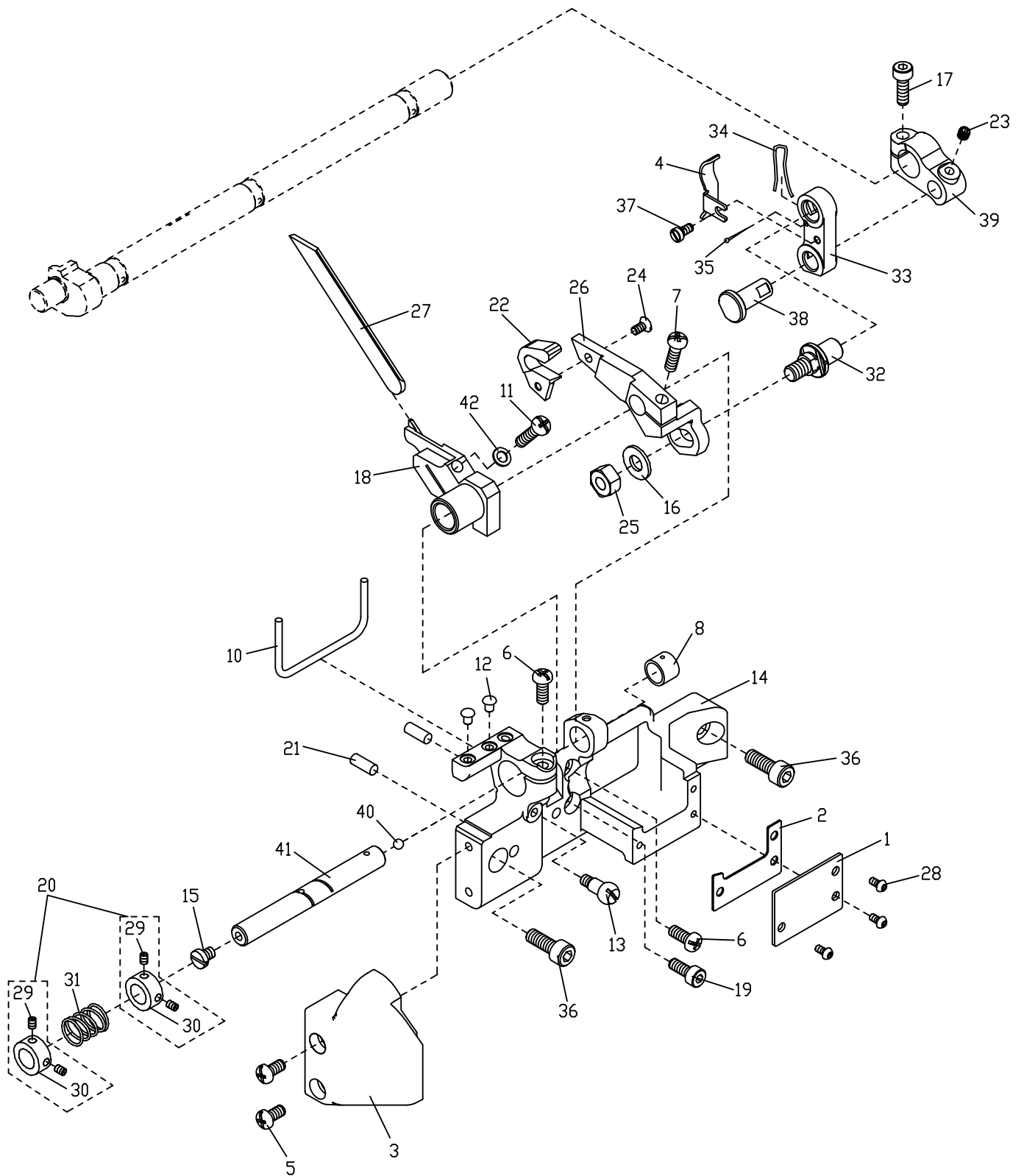


1. CX2085 / CXD2085 / CXM2085 專用零件 (A)

CX2085 / CXD2085 / CXM2085 Exclusive Parts (A)

序號 Ref. No.	物料編號 Parts No.	名稱 Description	單位用量 Amt. Req.
1	2600850101	下軸外蓋(同標準 6.4) Cloth Plate -----	1
2	2600850102	車頭 Frame Unit -----	-
2-A	2240000135A	車頭上座 Frame Unit -----	1
2-B	2600850102B	車頭下座 Frame Unit -----	1
3	2600850103	吸風管座 Suction Pipe Holder -----	1
4	2600850104	下軸前蓋 Front Cover -----	1
5	2100000223	墊片 Washer -----	2
6	2100000640	墊片 Washer -----	1
7	2600850107	導模 Guide -----	1
8	2600850108	護線蓋 Cloth Plate -----	1
9	2600850109	吸風管 Suction Pipe -----	1
10	2200000121	夾簧 Latch Spring -----	1
11	26008501111	針板座 Stitch Plate Support -----	1
12	2200000124	孟形墊片 Disc Washer -----	1
13	2270000202	磁鐵 Magnet -----	1
14	2273110141	節流閥 Speed Controller -----	1
15	26041102541	防塵蓋(同標準 6.4) Dust Cover -----	1
16	2310000815	墊片 Washer -----	1
17	2600850117	封蓋 Cover -----	1
18	90PW040	墊片 Washer -----	2
19	8MB03200306X	螺絲 Screw (UTB0436 M3-0.5*3) -----	2
20	8MC04280507D	螺絲 Screw (CT0122 M4-0.7*5) -----	1
21	8MC04280512B	螺絲 Screw (C90232 M4-0.7*5) -----	1
22	8MC04281407D	螺絲 Screw (CT0225 M4-0.7*14) -----	1
23	8MK04280707A	螺絲 Screw (UT12A0126 M4-0.7*7) -----	2
24	8MK04280807A	螺絲 Screw (UH0140 M4-0.7*8) -----	2
25	8MM05321609A	螺絲 Screw (RP0111 M5-0.8*16) -----	1
26	90DW040	碟形墊圈 Disk Washer -----	5

2. CX2085 / CXD2085 / CXM2085 專用零件 (B)
CX2085 / CXD2085 / CXM2085 Exclusive Parts (B)

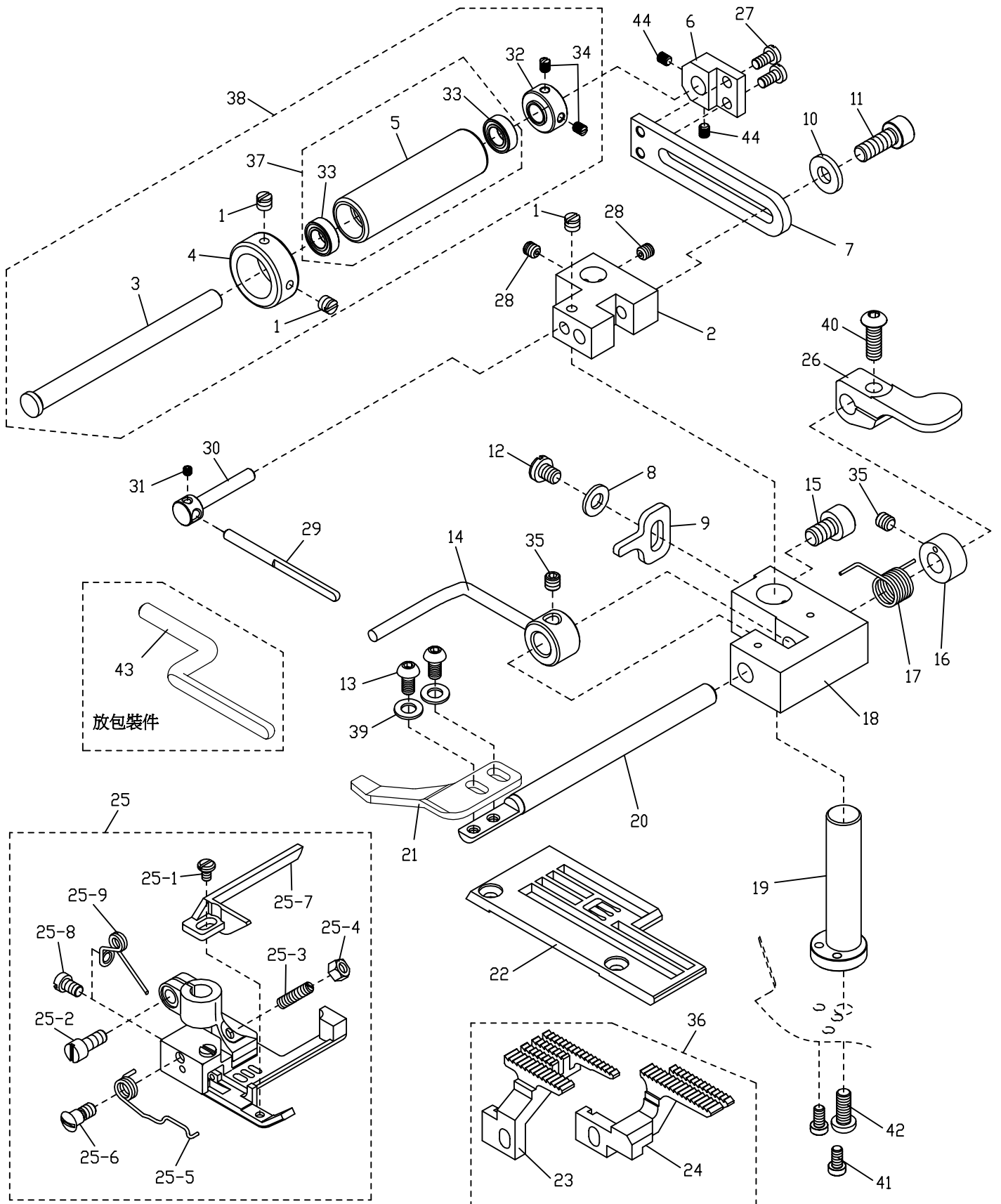


2. CX2085 / CXD2085 / CXM2085 專用零件 (B)

CX2085 / CXD2085 / CXM2085 Exclusive Parts (B)

序號 Ref. No.	物料編號 Parts No.	名稱 Description	單位用量 Amt. Req.
1	2600850201	封蓋 Cover -----	1
2	2600850202	油封 Gasket -----	1
3	2600850203	側封蓋 Filter Cover -----	1
4	2600850204	壓板 Link Cover -----	1
5	8MC04280807D	螺絲 Screw (CT0130 M4-0.7*8)-----	2
6	8MC04281007D	螺絲 Screw (CT0113 M4-0.7*10)-----	2
7	8MC04281407D	螺絲 Screw (CT0225 M4-0.7*14)-----	1
8	2600850208	軸襯 Upper Knife Shaft Bushing -----	1
9	-----	-----	-
10	2600850210	油封 Gasket -----	1
11	8MC04281607D	螺絲 Screw (UH0177 M4-0.7*16)-----	1
12	22100001191	減震橡膠 Rubber Cushion -----	2
13	8MD04281008C	螺樁 Stud (MT0229 M4-0.7*5)-----	1
14	2600850214	下刀座 Lower Knife Holder Bracket -----	1
15	8MB04280507K	螺絲 Screw (FT0235 M4-0.7*5)-----	1
16	2206110126	墊圈 Washer -----	1
17	8MM04281207A	螺絲 Screw (CT0202 M4-0.7*12)-----	1
18	2600850218	下刀台 Lower Knife Holder -----	1
19	8MM04281007A	螺絲 Screw (FT0203 M4-0.7*10)-----	1
20	221A0000563	定位環組 Collar Asm. -----	2
21	90ST0410	定位銷 Knock Pin -----	2
22	2270850222	上刀 Upper Knife -----	1
23	8MN04280400A	螺絲 Screw (CT0229 M4-0.7*4)-----	1
24	8ME03200606A	螺絲 Screw (CT0235 M3-0.5*4.5)-----	1
25	8MA06400510A	螺帽 Nut (CT0533 M6-1*5)-----	1
26	2600850226	上刀座 Upper knife Holder -----	1
27	2200850227	下刀 Lower Knife -----	1
28	8MP03200606A	螺絲 Screw (MT0142 M3-0.5*6)-----	3
29	8MN03200300A	螺絲 Screw (CT0115 M3-0.5*3)-----	4
30	2210000534	隔環 Collar -----	2
31	2206110131	彈簧 Spring -----	1
32	2206110132	曲柄銷 Adjusting Lever Pin -----	1
33	2603110133	連桿 Link -----	1
34	66800	油線 Oil Wick -----	1
35	2206110135	銷 Oil Wick Pin -----	1
36	8MM05321409A	螺絲 Screw (CT0632 M5-0.8*14)-----	2
37	8MB03200606K	螺絲 Screw (CT1207 M3-0.5*6)-----	1
38	2603110138	連結銷 Link Pin -----	1
39	2603110139	連桿 Link -----	1
40	2100001404	孔塞 Seal Plug -----	1
41	2600850241	軸 Upper Knife Shaft -----	1
42	2206110148	墊圈 Washer -----	1

3. CX2085 / CXD2085 / CXM2085 專用零件 (C) CX2085 / CXD2085 / CXM2085 Exclusive Parts (C)



25. 壓腳編號列表 Press Foot

針距	圖號
4.0	5222PF85400
4.8	5222PF85480
5.6	5222PF85560
6.4	5222PF85640

22. 針板編號列表 Needle Plate

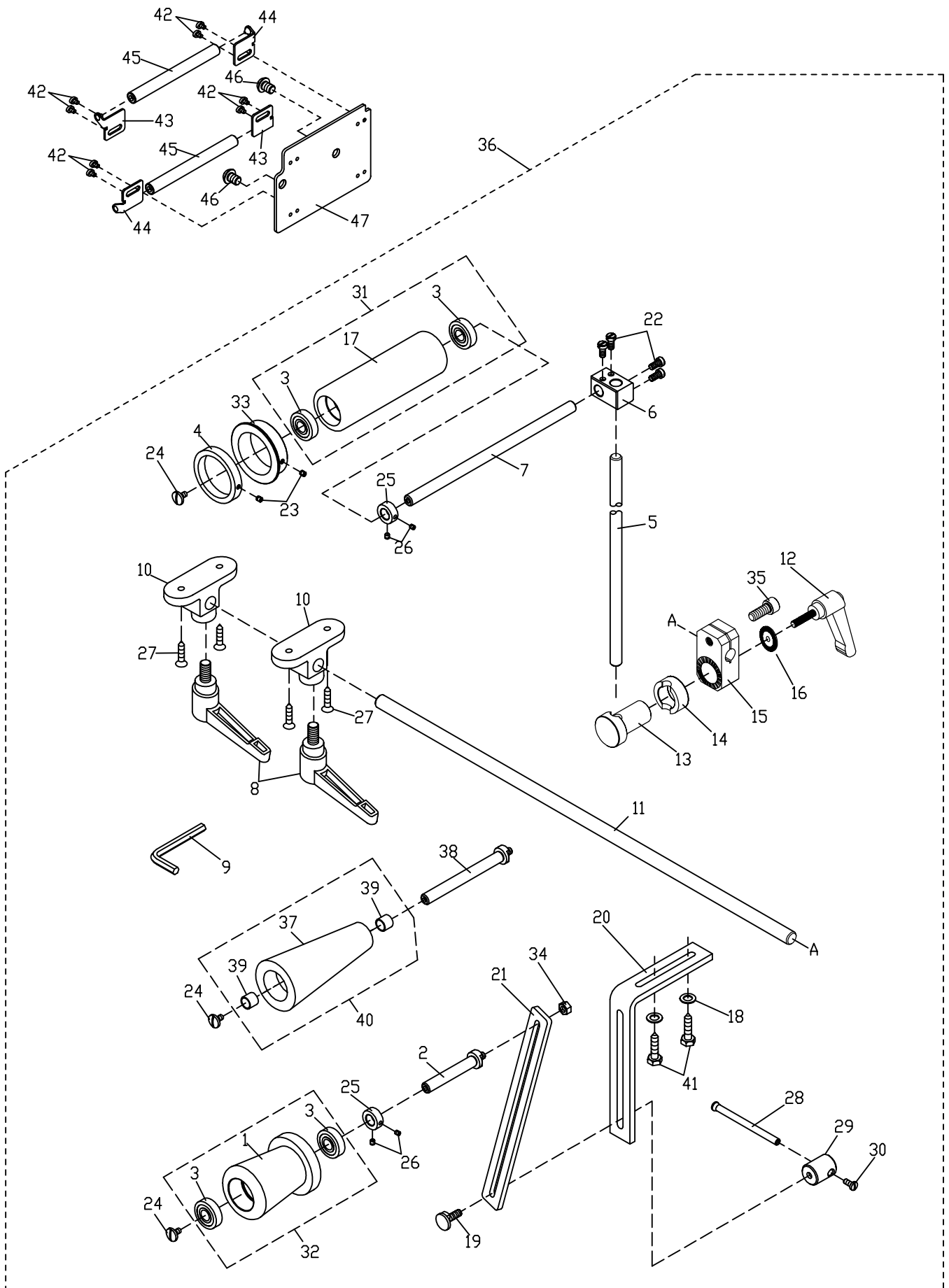
針距	圖號
4.0	5220TP85400
4.8	5220TP85480
5.6	5220TP85560
6.4	5220TP85641

3. CX2085 / CXD2085 / CXM2085 專用零件 (C)

CX2085 / CXD2085 / CXM2085 Exclusive Parts (C)

序號 Ref. No.	物料編號 Parts No.	名稱 Description	單位用量 Amt. Req.
1	8MH04280400A	螺絲 Screw (CT1134 M4-0.7*4)	3
2	22208503021	固定座 Elastic Tape Cuide Bracket	1
3	22708503031	軸 Shaft	1
4	2270850304	定位環 Collar	1
5	22708503051	滾輪 Roller	1
6	22708503061	連接塊 Connecting Block	1
7	2220850307	滾輪臂 Roller Holder Arm	1
8	2100000223	墊片 Washer	1
9	2270850309	固定片 Stop Plate	1
10	2100000323	墊圈 Washer	1
11	8MM06401610A	螺絲 Screw (CT0625 M6-1*16)	1
12	8MB04280607K	螺絲 Screw (MT0233 M4-0.7*6)	1
13	8MP03200606A	螺絲 Screw (MT0142 M3-0.5*6)	2
14	2270850314	導桿 Cuider Bar	1
15	8MM05320809A	螺絲 Screw (CT1145 M5-0.8*8)	1
16	2200850316	固定環 Collar (6*12*6)	1
17	2200850317	彈簧 Spring	1
18	2220850318	固定座 Fabric Presser Bracket	1
19	2600850319	導桿 Bracket Holder	1
20	2200850320	軸 Shaft	1
21	22708503211	壓布板 Fabric Presser	1
22	-----	針板 Needle Plate	1
23	5220FD85561	主送布齒 Main Feed Dog	1
24	5220DF85561	副送布齒 Diff Feed Dog	1
25	-----	壓腳 Press Foot	1
25-1	8SB24560405A	螺絲 Screw (SH0413 3/32"-56*4)	1
25-2	5220PF0356M	螺絲 Screw	1
25-3	5220PF0356G	螺絲 Screw	1
25-4	5220PF0356D	螺帽 Nut	1
25-5	5220PF8556E	彈簧 Spring	1
25-6	5220PF8556F	螺絲 Screw	1
25-7	5220PF8556B	導帶桿 Guide	1
25-8	5220PF0356K	螺絲 Screw	1
25-9	5220PF0356J	彈簧 Spring	1
26	2270850326	揚昇臂 Lifter Arm	1
27	8MC04280807A	螺絲 Screw (CT0120 M4-0.7*8)	2
28	8MN05320500E	螺絲 Screw (CT0903 M5-0.8*5)	2
29	2200850306	導模 Guide	1
30	22008503041	導桿 Guide	1
31	8MN03200300A	螺絲 Screw (CT0115 M3-0.5*3)	1
32	22708503321	定位環 Collar	1
33	90BB071304	滾珠軸承 Ball Bearing	2
34	8MH85240500A	螺絲 Screw (CT0923 M3.5-0.6*5)	2
35	8MN04280400A	螺絲 Screw (CT0229 M4-0.7*4)	3
36	5220DG0010	送布齒組 Feed Dog Asm.	1
37	227085A03371	滾輪組 Roller Asm.	1
38	227085A03381	滾輪組 Roller Asm.	1
39	90PW030	墊圈 Washer	2
40	8MP04281208A	螺絲 Screw (CS0121 M4-0.7*12)	1
41	8MB03200606K	螺絲 Screw (CT1207 M3-0.5*6)	2
42	8MB04280807K	螺絲 Screw (CT0215 M4-0.7*8)	1
43	2270850342	導模 Guide	1
44	8MN85240500A	螺絲 Screw (TTS3602-07 M3.5-0.6*5)	2

4. CX2085 / CXD2085 / CXM2085 專用零件 (D)
 CX2085 / CXD2085 / CXM2085 Exclusive Parts (D)

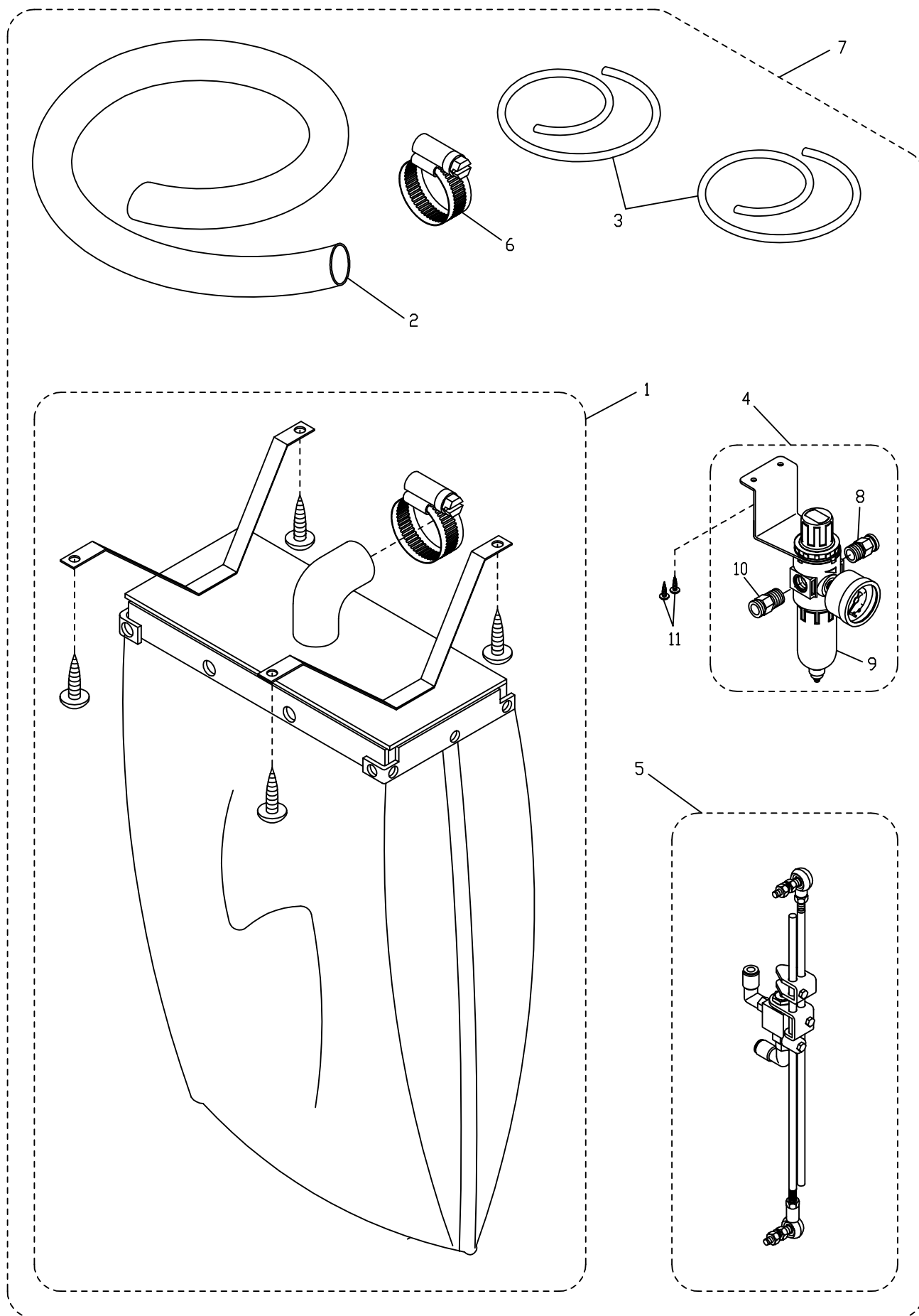


4. CX2085 / CXD2085 / CXM2085 專用零件 (D)

CX2085 / CXD2085 / CXM2085 Exclusive Parts (D)

序號 Ref. No.	物料編號 Parts No.	名稱 Description	單位用量 Amt. Req.
1	4TR00201011	滾輪 Roller -----	1
2	4TR0020123	軸 Shafe -----	1
3	90BB1026082	滾珠軸承 Ball Bearing -----	4
4	4TR0020104	鬆緊帶導模 Elastic Tape Guide -----	1
5	4TR03A0105	支架 Holder Bracker -----	1
6	2200850421	連接塊 Connecting Block -----	1
7	2270850423	支架 Holder Bracket -----	1
8	4TR0020108	固定鉸手 Lock Lever -----	2
9	66641	六角扳手 Spanner 6MM -----	1
10	4TR0020110	支架座 Holder Bracket Seat -----	2
11	4TR03A0111	支架 Holder Bracket -----	1
12	4TR03A0112	固定板手 Lock Lever -----	1
13	4TR03A0113	連接塊 Connecting Block -----	1
14	4TR03A0114	連接塊 Connecting Block -----	1
15	4TR03A0115	連接塊 Connecting Block -----	1
16	4TR03A0116	墊圈 Washing -----	1
17	2270850420	滾輪 Roller -----	1
18	2200000910	墊圈 Washing -----	2
19	4TR0020119	螺樁 Stud -----	1
20	4TR0020120	滾輪臂 Roller Holder Arm -----	1
21	4TR0020121	滾輪臂 Roller Holder Arm -----	1
22	8MB05321008K	螺絲 Screw (CT0233 M5-0.8*10) -----	4
23	8MH04280400A	螺絲 Screw (CT1134 M4-0.7*4) -----	2
24	8SC44400812A	螺絲 Screw (CL450424 11/64"-40*8) -----	2
25	4TR0020125	定位環 Collar -----	2
26	8MH85240500A	螺絲 Screw (CT0923 M3.5-0.6*5) -----	4
27	8WE37002400A	木螺絲 Wood Screw (CL450427) -----	4
28	4TR0020128	柄 Handle -----	1
29	4TR0020129	止動塊 Tension Roller Slider Stop -----	1
30	8SC44401008A	螺絲 Screw (SH1225 11/64"-40*10) -----	1
31	4TR003A0131	滾輪 Roller Asm.-----	1
32	4TR002A0131	滾輪 Roller Asm.-----	1
33	2270850418	鬆緊帶導模 Elastic Tape Guide -----	1
34	8MA06400510A	螺帽 Nut (CT0533) -----	1
35	8MM08502013A	螺絲 Screw (CT0106 M8-1.25*20) -----	1
36	TR03A	擴張輪組 Roller Asm.-----	1
37	4TR0020101	滾輪 Roller -----	1
38	4TR0020102	軸 Shafe -----	1
39	4TR0020103	軸襯 Lower Roller Bushing -----	2
40	4TR002A0133	滾輪組 Roller Asm.-----	1
41	8WK45002900C	木螺絲 Wood Screw (CL450408) -----	2
42	8MB03200306A	螺絲 Screw (UTB0436 M3-0.5*3) -----	8
43	4RP0010238	滾柱架(右) Right Roller Stay -----	2
44	4RP0010237	滾柱架(左) Left Roller Stay -----	2
45	4RP0040236	輔助滾柱 Supplementary Roller -----	2
46	8MP06400811A	螺絲 Screw (FTC10123 M6-1*8) -----	2
47	2600850407	滾柱座 Supplementary Roller Support -----	1

5. CT9085 / CTD9085 / CX2085 / CXD2085 / CXM2085集塵袋組
Lint Collector For CT9085 / CTD9085 / CX2085 / CXD2085 / CXM2085

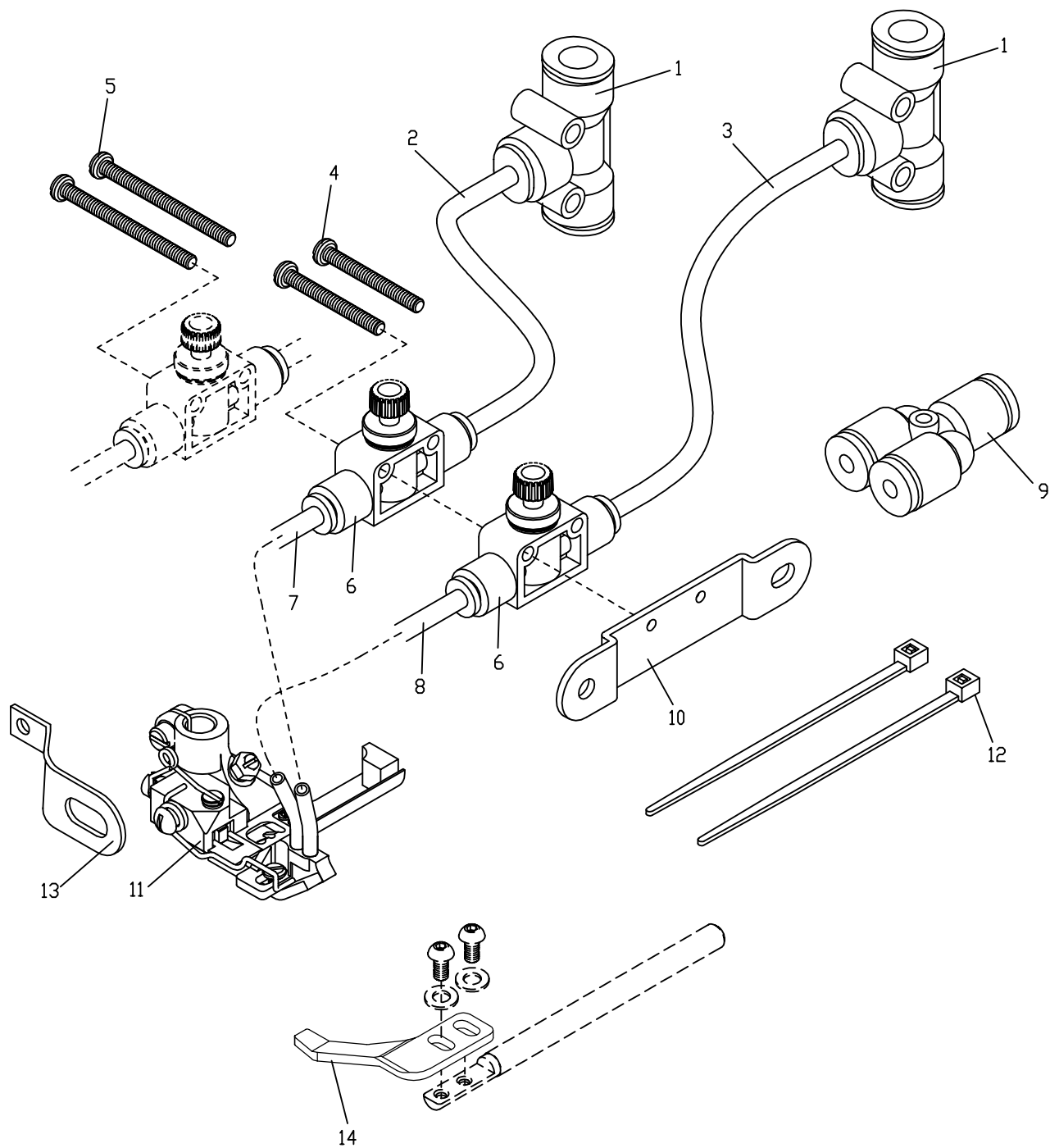


5. CT9085 / CTD9085 / CX2085 / CXD2085 / CXM2085 集塵袋組

Lint Collector For CT9085 / CTD9085 / CX2085 / CXD2085 / CXM2085

序號 Ref.No.	物料編號 Parts No.	名稱 Description	單位用量 Amt.Req.
1	4CV0070101	布袋組 Bag Asm. -----	1
2	4CV0070102	氣壓管 Tube (1" Connector) -----	1
3	4CV0070103	φ6空氣管 Air Tube (L= 1300mm) -----	2
4	4TCS09A0309	調壓濾水閥組 Regulator Asm. -----	1
5	4CV0070105	連桿組 Link Asm-----	1
6	4CV0070106	管束 Hose Clamp-----	1
7	CV007	集塵袋組 Fabric bag Asm. -----	1
8	4AL0120103	φ6空氣管接頭 Connector -----	1
9	4UTB0004321	調壓濾水閥 Regulator -----	1
10	4UTB010456	φ8空氣管接頭 Connector -----	1
11	8WD30000015B	木螺絲 Wood Screw -----	2

6. AF01A / AF01B / AF01C / AF01D 吹氣式壓腳 Air Blowing Type Presser Foot



序號 Ref.No.	規格 TYPE	物料編號 Parts No.	針數 Number Of Needle 針距 Distance Of Needles
11	A	5222AF85400	2 Needle/4.0
	B	5222AF85480	2 Needle/4.8
	C	5222AF85560	3 Needle/5.6
	D	5222AF85640	3 Needle/6.4

6. AF01A / AF01B / AF01C / AF01D 吹氣式壓腳 Air Blowing Type Presser Foot

序號 Ref. No.	物料編號 Parts No.	名稱 Description	單位用量 Amt. Req.
1	4WPC000101	T 型管接頭 T Connector -----	2
2	91060101007	φ 4空氣管 Air Tube (L= 600mm) -----	1
3	91060101007	φ 4空氣管 Air Tube (L= 230mm) -----	1
4	8MC03202606D	螺絲 Screw (M3-0.5*26) -----	2
5	8MC03203506D	螺絲 Screw (AF10105 M3-0.5*35) -----	2
6	4WPC000114	節流閥 Speed Controller -----	2
7	91060101007	φ 4空氣管 Air Tube (L= 360mm) -----	1
8	91060101007	φ 4空氣管 Air Tube (L= 350mm) -----	1
*9	4UT12A0313	φ 4 Y型管接頭 Y Connector -----	1
10	4WPC000113	支架 Holder Bracket -----	1
11	-----	壓腳 Presser Foot(See Left Page) -----	1
12	4UTB020306	束線 Plastic Binding Wire -----	2
13	2210390129	護指環 Safety Plate Holder -----	1
14	2270850321	壓布板 Fabric Presser -----	1

* 特註品 : Gustom-made Item

註: AF01□ 於CXM2085 / UCP切線時，屬標準配件

□請依需求規格填入訂購 (A~D)

可應用機型CT9085 / CTD9085 / CXD2085 / CXM2085

Remarks:

It's standard equipment when ordering thread trimmer of CXM2085 / UCP.

□ : Please specify needle distance code number (A thru D) when ordering individually.

Applicable to CT9085 / CTD9085 / CXD2085 / CXM2085