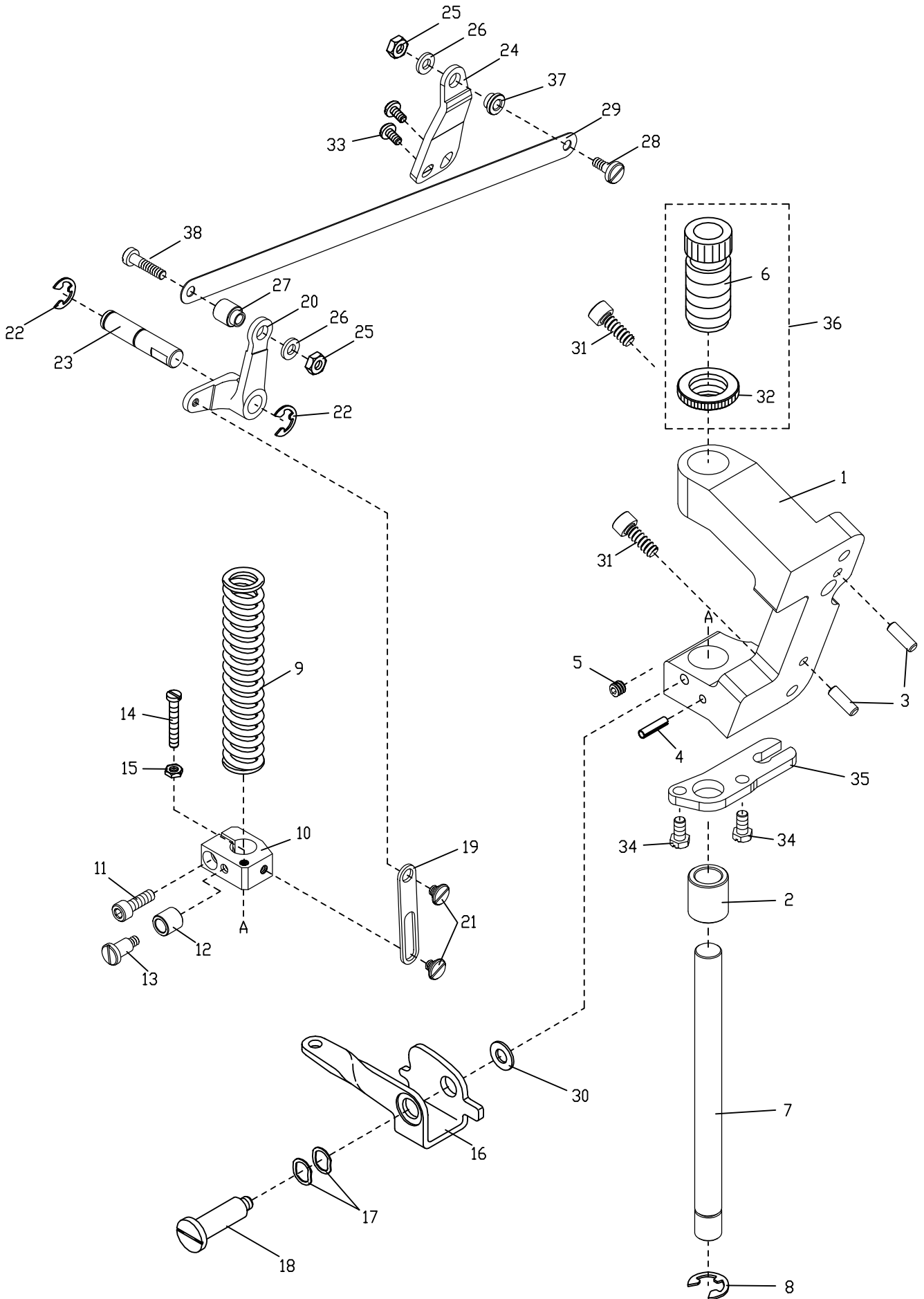


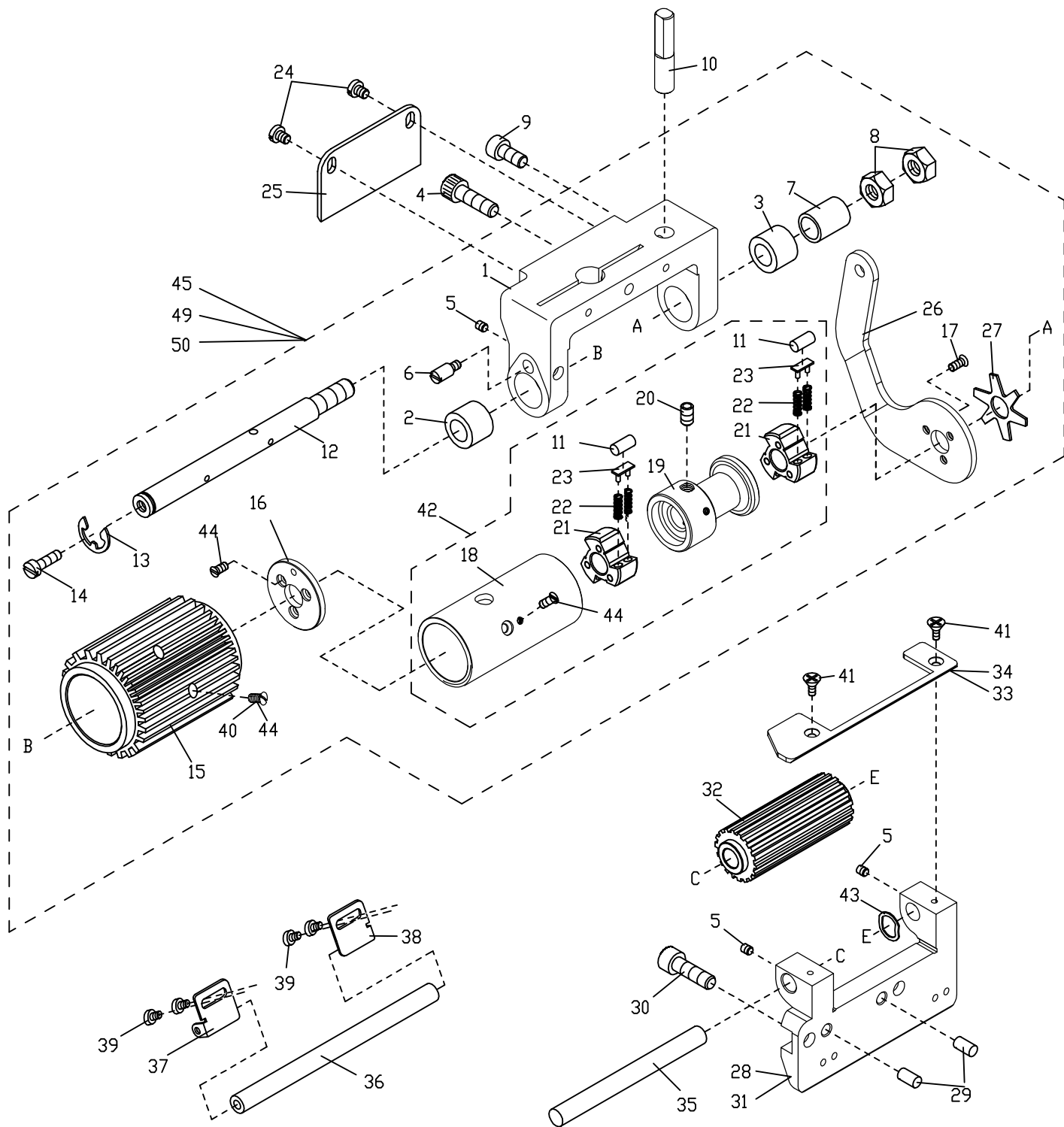
1. RP008 / RPC08 / RPC09 輔助拖輪 Puller Mechanism



1. RP008 / RPC08 / RPC09 輔助拖輪 Puller Mechanism

序號 Ref. No.	物料編號 Parts No.	名稱 Description	單位用量 Amt. Req.
1	4RP0080101	機架 Upper Feed Roller Bracket -----	1
2	4RP0010102	軸襯 Roller Press Bar Bushing -----	1
3	4RP0010103	定位梢 Knock Pin -----	2
4	90SP0416	止動梢 Stop Pin -----	1
5	8MN06400500A	螺絲 Screw (CT0513 M6-1*5) -----	1
6	2310001221	調壓螺椿 Spring Regulator -----	1
7	4RP0010107	軸 Upper Feed Rrller Press Bar -----	1
8	90ER100	扣環 Retaining Ring -----	1
9	4RP0010109	壓力彈簧 Roller Press Spring -----	1
10	4RP0010110	彈簧座 Roller Press Bar Bracket -----	1
11	8MM05321609A	螺絲 Screw (RP0111 M5-0.8*16) -----	1
12	4RP0010112	套管 Lifting Lever Sleeve -----	1
13	8SB44401510G	螺椿 Stud (RP0113 11/64"-40*14.6) -----	1
14	8SB44403006A	螺絲 Screw (RP0114 11/64"*30) -----	1
15	8SA44400307A	螺帽 Nut (SH0914 11/64"-40*2.5) -----	1
16	4RP0010116	揚昇手柄 Upper Feed Roller Lifting Lever -----	1
17	90WW105	波形墊圈 Corrugated Washer -----	2
18	8MB06403516G	螺椿 Stud (RP0118 M6-1*35) -----	1
19	4RP0010119	吊桿 Lifter Connecting Plate -----	1
20	4RP0080120	吊臂 Right Upper Feed Roller Arm -----	1
21	8SB48320510G	螺絲 Screw (RP0121 3/16"-32*5) -----	2
22	90ER080	扣環 Retaining Ring -----	2
23	4RP0010123	軸 Upper Feed Roller Lifter Pin -----	1
24	4RP00801241	吊臂 Left Upper Feed Roller Arm -----	1
25	8SA44400307A	螺帽 Nut (SH0914 11/64"*2.5)-----	2
26	2100000526	墊圈 Washer -----	2
27	4RP0080127	隔環 Spacer -----	1
28	8SB44401110B	螺絲 Screw (RP0128 11/64"-40*11) -----	1
29	4RP0010129	拉桿 Lifter Connecting Plate -----	1
30	2100000645	墊圈 Washer -----	1
31	8MM06401610A	螺絲 Screw (C06-25 M6-1*16) -----	2
32	2310001222	螺帽 Nut -----	1
33	8MP05320810A	螺絲 Screw (STB0117 M5-0.8*8) -----	2
34	8MK05321008A	螺絲 Screw (NT67-09-34 M5-0.8*10) -----	2
35	4RP0080135	導軌 Yoke Guide -----	1
36	231A0001244	調壓螺椿組 Spring Regulator Asm.-----	1
37	4RP0010127	隔環 Spacer -----	1
38	8SC44401908C	螺絲 Screw (KZ15-12 11/64"-40*19) -----	1

2. RPC08 / RPC09 後拉引式拖輪裝置 Rear Puller For RPC08 / RPC09



	A 組 A-TYPE	E 組 E-TYPE	F 組 F-TYPE
序號	45	49	50
	4RPC08A0245	4RPC08A0249	4RPC08A0250
15	4RP01A0215-30	2200050113(50齒)	4RP01A0215-0
44	8SF36400606A*9pcs		8SF36400606A*6pcs
40			8SB36400606K*3pcs
32	4RP0010232-15	2200050114(25齒)	4RP0010232-0

2. RPC08 / RPC09 後拉引式拖輪裝置 Rear Puller For RPC08 / RPC09

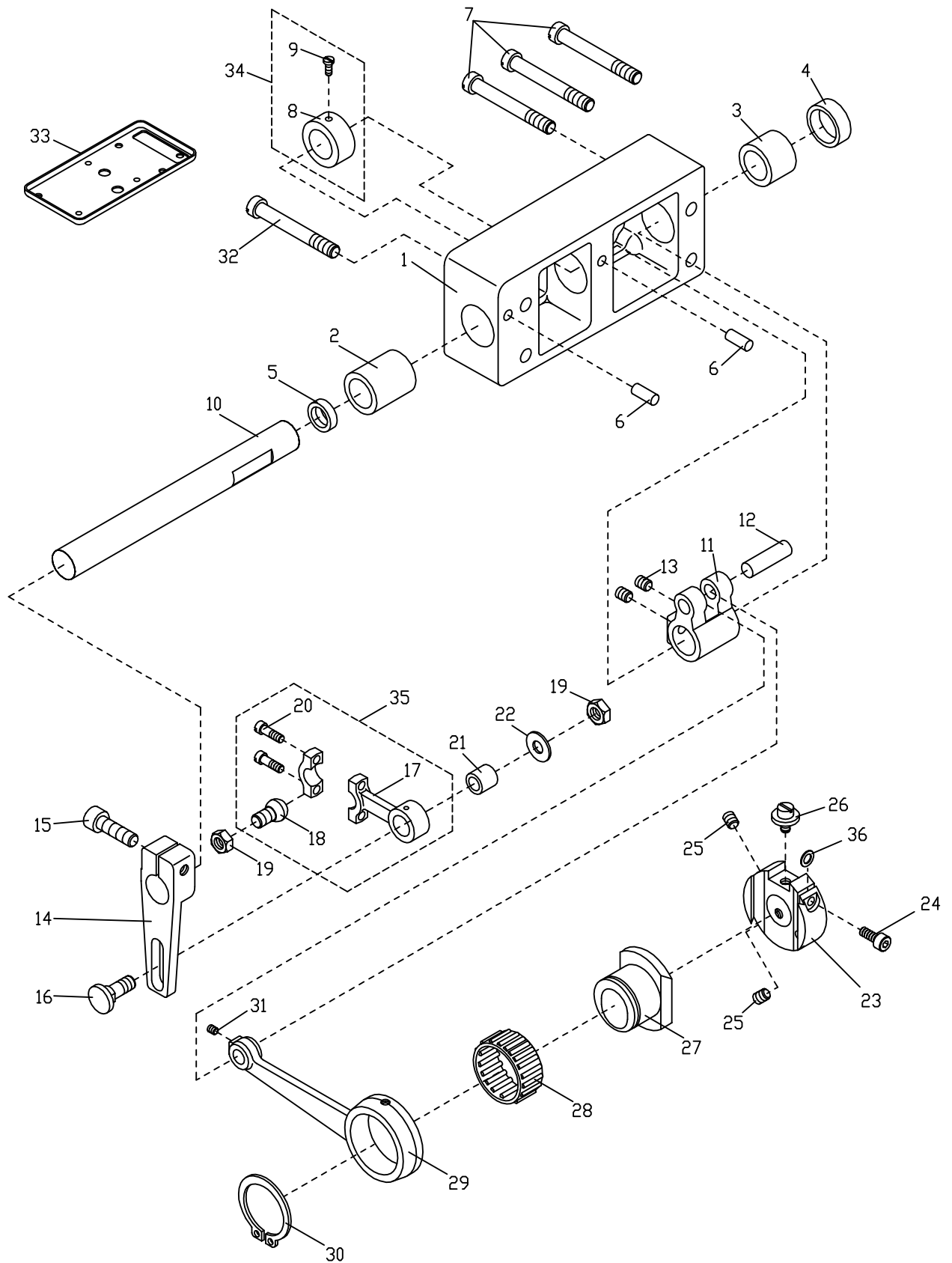
序號 Ref. No.	物料編號 Parts No.	名稱 Description	單位用量 Amt. Req.
1	4RP0080201	主動輪座 Upper Feed Roller Yoke -----	1
2	4RP0010202	軸襯 Left Clutch Driving Shaft Bushing -----	1
3	4RP0010203	軸襯 Right Clutch Driving Shaft Bushing -----	1
4	8MM06402510A	螺絲 Screw (UH0712 M6-1*25) -----	1
5	8MN04280400A	螺絲 Screw (CT0229 M4-0.7*4) -----	3
6	4RP0010206	止動梢 Stop Pin -----	1
7	4RP0010207	襯套 Clutch Tension Sleeve -----	1
8	8MA08500613A	螺帽 Nut (RP0208 M8-1.25*6) -----	2
9	8MM06401410A	螺絲 Screw (UH08-08 M6-1*14) -----	1
10	4RP0080210	軸 Yoke Pin -----	1
11	4RP0010225	滾珠 Clutch Roller -----	6
12	4RP01A0212	主動輪軸 Clutch Driving Shaft -----	1
13	90ER090	扣環 Retaining Ring -----	1
14	8MB05320710A	螺絲 Screw (M5-0.8*7) -----	1
15	-----	主動輪 Upper Feed Roller (See Left Page) -----	1
16	4RP0010216	封蓋 Clutch Cheek Plate -----	1
17	8SF36400506A	螺絲 Screw (RP01A0217 9/64"-40*6.2)-----	3
18	4RPC030218	套筒 Clutch Sleeve -----	1
19	4RPC030219	隔環 Clutch Spacer -----	1
20	8MN06400600A	螺絲 Screw (CT0244 M6-1*6) -----	1
21	4RP00102211	離合器 Clutch -----	2
22	4RPC030222	彈簧 Clutch Spring -----	12
23	4RP0010224	滾珠座 Clutch Roller Base -----	6
24	8MB04280507K	螺絲 Screw (FT0235 M4-0.7*5) -----	2
25	4RP0010245	蓋板 Lower Feed Roller Cover -----	1
26	4RP0080226	拉柄 Clutch Driving Lever -----	1
27	4RP0010227	星形壓環 Clutch Tension Spring -----	1
* 28	4RPC090228	從動輪座 Lower Feed Roller Support -----	1
29	4RP0010103	定位梢 Knock Pin -----	2
30	8MM06401210A	螺絲 Screw (FT1103 M6-1*12)-----	2
31	4RP0080228	從動輪座 Lower Feed Roller Support -----	1
32	-----	從動輪 Lower feed Roller -----	1
* 33	4RPC090233	蓋板 Lower Feed Roller Cover -----	1
34	4RP0080233	蓋板 Lower Feed Roller Cover -----	1
35	4RP0010235	從動輪軸 Lower feed Roller Shaft -----	1
36	4RP0040236	輔助滾柱 Supplementary Roller -----	1
37	4RP0010237	滾柱架(左) Left Supplementary Roller Stay -----	1
38	4RP0010238	滾柱架(右) Right Supplementary Roller Stay -----	1
39	8SC32440406B	螺絲 Screw (PF0128 1/8"-44*4)-----	4
40	8SB36400606K	螺絲 Screw (RP10244 9/64"-40*5.8) -----	-
41	8ME03200606A	螺絲 Screw (CT0235 M3-0.5*6) -----	2
42	4RPC03A0211	套筒組 Clutch Sleeve Asm. -----	1
43	4RP0010243	波形墊圈 Corrugated Washer -----	1
44	8SF36400606A	螺絲 Screw (RP0217 9/64"-40*6) -----	-
45	4RPC08A0245	主動輪組 Upper Feed Roller Asm. (See Left Page) -----	1
46	-----	-----	-
47	-----	-----	-
48	-----	-----	-
49	4RPC08A0249	主動輪組 Upper Feed Roller Asm. (See Left Page) -----	1
50	4RPC08A0250	主動輪組 Upper Feed Roller Asm. (See Left Page) -----	1

RPC08 : CXD2000 / CXM2000 機型用 (For CXD2000 / CXM2000 Model)

RPC09 : CXD3800 機型用 (For CXD3800 Model)

* : CXD3800 機型用

3. RP001 / RP01A / RP003 / RPC03 / RP004 / RPC04 / RP008 / RPC08
 RPC09 輔助拖輪 Puller Mechanism



3. RP001 / RP01A / RP003 / RPC03 / RP004 / RPC04 / RP008 / RPC08 / RPC09

輔助拖輪 Puller Mechanism

序號 Ref. No.	物料編號 Parts No.	名稱 Description	單位用量 Amt. Req.
1	4RP0010301	軸承座 Upper Feed Roller Shaft Bracket -----	1
2	4RP0010302	軸襯 Left Roller Shaft Bushing -----	1
3	4RP0010303	軸襯 Right Roller Shaft Bushing -----	1
4	22000002451	孔塞 Seal Plug (白色)-----	1
5	4RP0010305	油封 Oil Seal -----	1
6	4RP0010103	定位梢 Knock Pin -----	2
7	8MM06403510B	螺絲 Screw(RP0307 M6-1*35) -----	3
8	4RP0010308	定位環 Collar -----	1
9	8SN44400400E	螺絲 Screw(SH0104 11/64"-40*4) -----	2
10	4RP0010310	軸 Upper Feed Roller Shaft -----	1
11	4RP0010311	曲柄 Upper Feed Roller Shaft Lever -----	1
12	4RP0010312	曲柄梢 Upper Feed Roller Driving Rod Pin -----	1
13	8MN06400600A	螺絲 Screw(CT0244 M6-1*6) -----	2
14	4RP0010314	拉臂 Upper Feed Roller Arm -----	1
15	8MM06402010A	螺絲 Screw(SH0444 M6-1*20) -----	1
16	4RP0010316	連桿梢 Uper Feed Roller Lever Pin -----	1
17	4RP0010317	連桿 Upper Feed Roller Lever Rod -----	1
18	4RP0010318	球狀接頭 Ball Stud -----	1
19	8SA64400409B	螺帽 Nut(RP0319 1/4"-40*4) -----	2
20	8SB36401106B	螺絲 Screw(RP0320 9/64"-40*11) -----	2
21	4RP0010321	襯套 Upper Feed Roller Lever Rod Bushing-----	1
22	2210001007	墊圈 Washer (FT1007)-----	1
23	4RP0010323	滑軌 Upper Feed Roller Regulator -----	1
24	8MM04281007A	螺絲 Screw(F02-03 M4-0.7*10) -----	1
25	8MN05320500E	螺絲 Screw(CT0903 M5-0.8*5) -----	2
26	4RP0010326	調整螺椿 Adjusting Stud -----	1
27	4RP0010327	滑塊 Upper Feed Roller Eccentric -----	1
28	90NB252913	滾針軸承 Roller Bearing -----	1
29	4RP0010329	連桿 Upper Feed Roller Driving Rod -----	1
30	2200001106	扣環 Retaining Ring -----	1
31	8MN04280400A	螺絲 Screw(C02-29 M4-0.7*4) -----	1
32	8MM06403210B	螺絲 Screw(RP0307 M6-1*35) -----	1
33	4RP0010333	承油盤 Oil Receiver -----	1
34	4RP001A0334	定位環組 Collar Asm -----	1
35	4RP001A0335	連桿組 Upper Feed Roller Lever Rod Asm -----	1
36	2100000640	墊圈 Washer -----	1