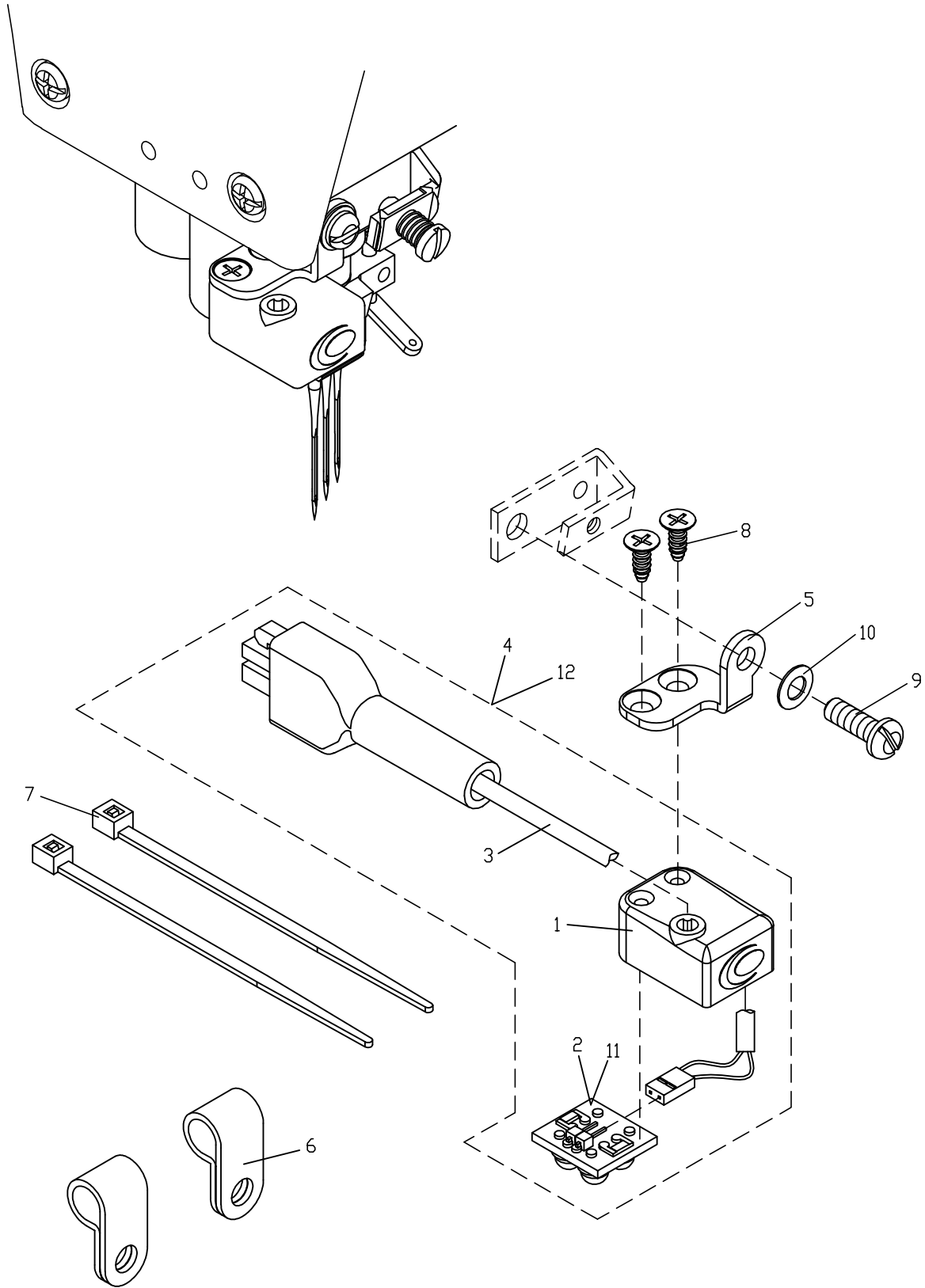


1. TL001/TL501 燈組 TL001/TL501 LED Light Asm



1. TL001/TL501 燈組 TL001/TL501 LED Light Asm

序號 Ref.No.	物料編號 Parts No.	名稱 Description	單位用量 Amt. Req.
1	2240001602	燈座 Light holder bracket -----	1
2	4TL5010102	燈 LED light (5V) -----	1
3	2240001604	電源線 Power connector -----	1
*4	4TL501A0104	燈組 Light Asm. (5V) -----	1
5	2240001606	支架 Holder Bracket -----	1
6	4UTD000254	線夾 Cord Clamp -----	2
7	4UTB020306	束線 Plastic Binding Wire -----	2
8	8TE03440806A	螺絲 Screw -----	2
9	8MB04281007K	螺絲 Screw (CT1237 M4-0.7*10)-----	1
10	90DW040	碟形墊圈 Disk Washer -----	1
11	2240001603	燈 LED light (12V) -----	1
*12	224A0001605	燈組 Light Asm. (12V) -----	1

* 需整組購買 Must be sold in complete set

TL001 適用CTD9000 / CTD9611 / FTD7000 機型，以及CT9000 / CT9611 / FT7000 配合伺服馬達使用
<型號HVP-60,HVP-70,HVP-90,i-60,i-70>

TL001 Can be used on CXD2000 / CTD9000 / CTD9611 / FTD7000 series and also can be used on CX2000 / CT9000
/ CT9611 / FT7000 but must be together with servo motor (model number HVP-60, HVP-70, HVP-90, i-60, i-70)

TL501 For 5V用