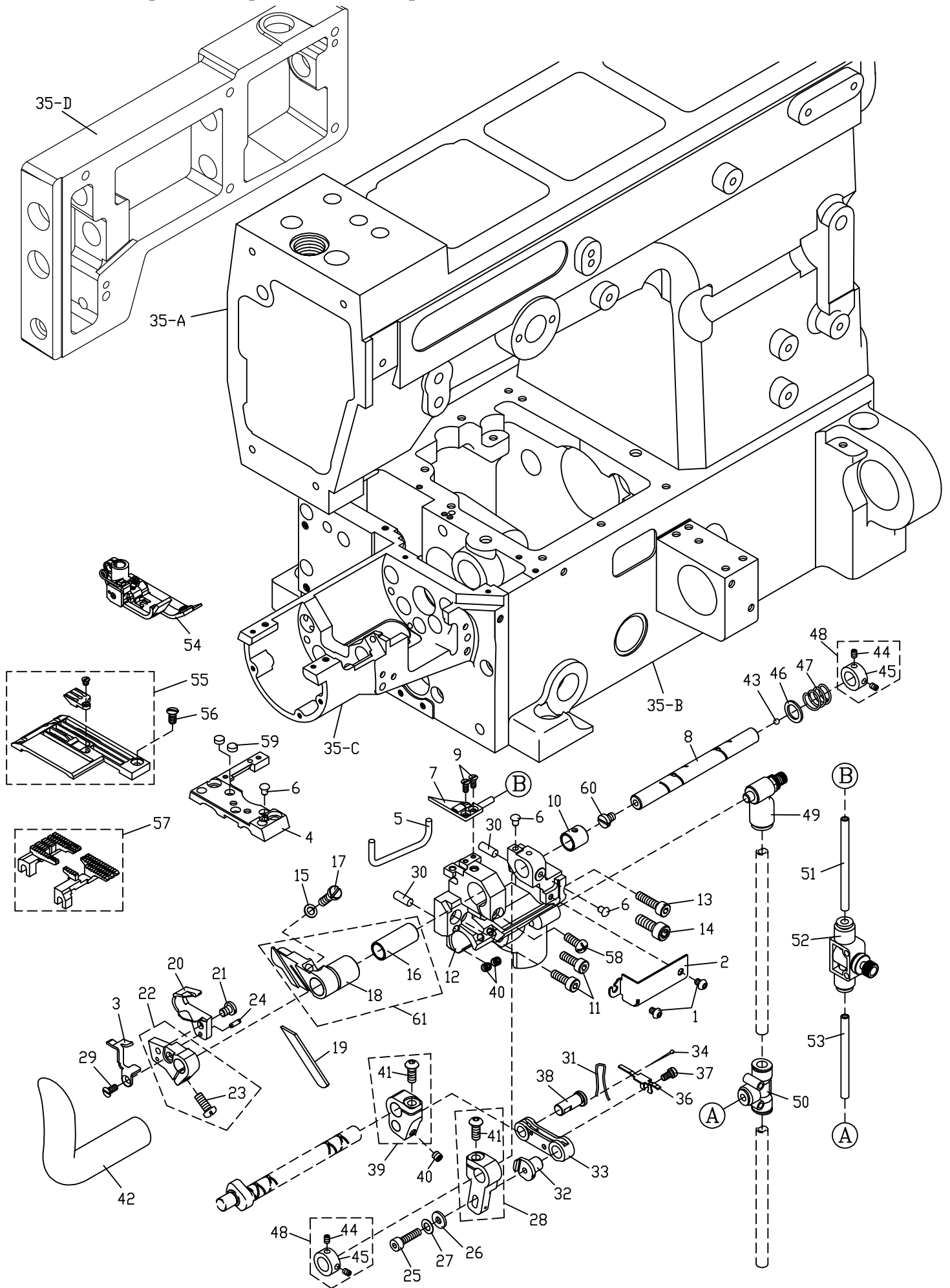


# 1. CXM2811 / CXU2811 下刀驅動構列表

## Left Hand U pier Driving Mechanise Components

Subclass / Remark	Date
	2025/11/10



1. CXM2811 / CXU2811 下刀驅動構列表

Subclass / Remark	Date
	2025/11/10

Left Hand Uper Driving Mechanise Components

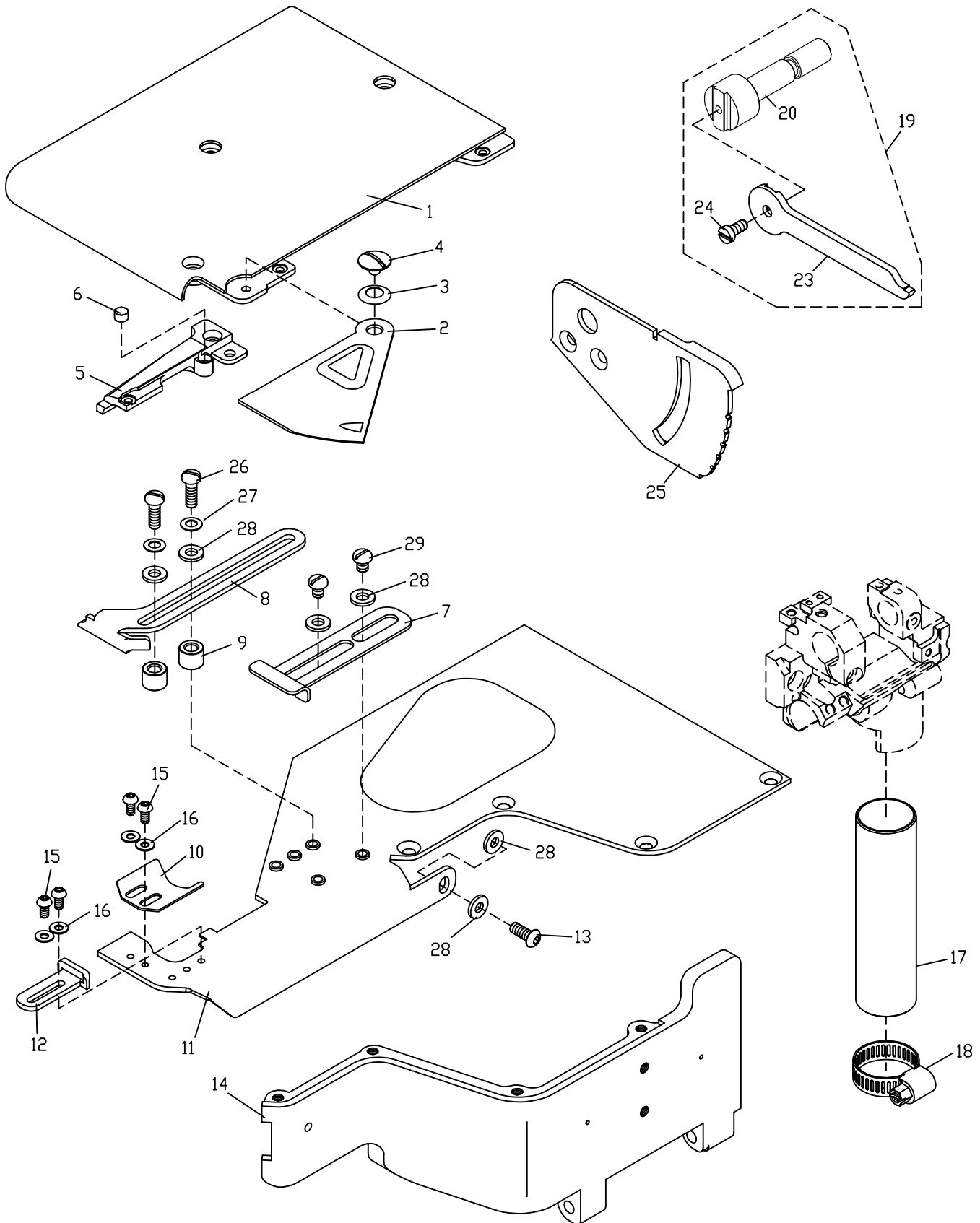
序號 Ref.No.	物料編號 Parts No.	名稱 Description	單位用量 Amt .Req.
1	8MP03200606A	螺絲 Screw (MT0142 M3-0.5*6)	2
2	2268110102	護蓋 Cover	1
3	22681101031	護指擋片 Safety Plate Holder	1
4	2268110104	針板座 Needle Plate Seat	1
5	2268110105	油封 Seal	1
6	2260000206	減震橡膠 Rubber Cushion	3
7	2268110107	吹氣管 Blow Tube	1
8	2268110108	軸 Shaft	1
9	8ME75180605A	螺絲 Screw (UH0421 M2.5-0.45*6)	2
10	2268110110	軸襯 Bushing	1
11	8MM04281207A	螺絲 Screw (CT0202 M4-0.7*12)	2
12	2268110112	刀台 Lower Knife Holder Bracket	1
13	8MM04281607A	螺絲 Screw (FT0202 M4-0.7*16)	1
14	8MM05321409A	螺絲 Screw (CT0632 M5-0.8*14)	1
15	2206110148	墊圈 Washer	1
16	2268110116	軸襯 Bushing	1
17	8MB04281307A	螺絲 Screw (CT9311-01-17 M4-0.7*13)	1
18	2268110118	下刀刀座 Lower Knife Holder	1
19	2206110119	下刀 Lower Knife	1
20	2268110120	上刀 Upper Knife	1
21	8MB04280607K	螺絲 Screw (MT0223 M4-0.7*6)	1
22	2268110122	上刀座 Upper knife Holder	1
23	8MB04281007K	螺絲 Screw (CT1237 M4-0.7*10)	1
24	90SP0206T	彈簧銷 Spring Pin	1
25	8MM85241407A	螺絲 Screw (NT670829 M3.5-0.6*14)	1
26	2268110126	墊圈 Washer	1
27	90DW040	孟型墊圈 Dick Washer	1
28	2268110128	變距曲柄 Upper Knife Adjusting Lever	1
29	8ME03200706X	螺絲 Screw (CT02351 M3-0.5*7)	1
30	90ST0410	定位銷 Knock Pin	2
31	66800	油線 Oil Wick	1
32	2268110132	曲柄銷 Adjusting Lever Pin	1
33	2268110133	連桿 Link	1
34	2206110135	銷 Oil Wick Pin	1
35	-----	車頭 Frame Unit	1
35-A	-----	車頭上座 Upper Frame Unit	1
35-B	2260000135B	車頭下座 Lower Frame Unit	1
35-C	2268110135C	前車頭下座 From Lower Frame Unit	1
35-D	-----	後車頭上座	1
36	2268110136	檔片 Defender	1
37	8MB03200606K	螺絲 Screw (CT1207 M3-0.5*6)	1
38	2268110138	連結銷 Link Pin	1
39	2268110139	連桿 Link	1
40	8MN04280400A	螺絲 Screw (CT0229 M4-0.7*4)	3
41	8MP04281008A	螺絲 Screw (MT0250 M4-0.7*10)	2
42	2268110142	吸風管 Suction Pipe	1
43	2100001404	孔塞 Plug	1
44	8MN03200300A	螺絲 Screw (CT0115 M3-0.5*3)	4
45	2210000534	隔環 Collar	2
46	2280690251	墊圈 Washer	1
47	2206110131	彈簧 Spring	1
48	221A0000563	定位環組 Collar Asm.(F0534A)	2
49	2273110141	節流閥 Speed Controller	1
50	4WPC000101	T 型管接頭 T Connector	1
51	91060101007	φ4空氣管 Air Tube (L= 230mm)	1
52	4WPC000114	節流閥 Speed Controller	1
53	91060101007	φ4空氣管 Air Tube (L= 600mm)	1
*54	-----	壓腳組 Presser Foot Asm.	1
*55	-----	針板組 Needle Plate Asm.	1
56	8SF36400706C	螺絲 Screw (CT0712 9/64"-40*7.5)	1
*57	-----	送布齒組 Feed Dog Asm.	1
58	8MC04281007D	螺絲 Screw (CT0113 M4-0.7*10)	1
59	2260000255	磁鐵 Magnet	2
60	8MB04280507K	螺絲 Screw (FT0235 M4-0.7*5)	1
61	226811A0161	下刀刀座組 Lower Knife Holder Set.	1

\*: 請翻閱第5頁 \* : Please Refer To Page 5 For More Details

序號 Ref.No. / 機型 Model	CXM2811	CXU2811
35	2248110135	2249110135
35-A	2240000135A	2244110135A
35-D	-	2274110135C

## 2. CXM2811 / CXU2811 護蓋及各項導模列表 Conservation Covers And Guide Components

Subclass / Remark	Date
	2025/11/10



## 2. CXM2811 / CXU2811 護蓋及各項導模列表

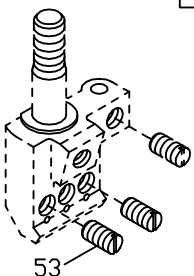
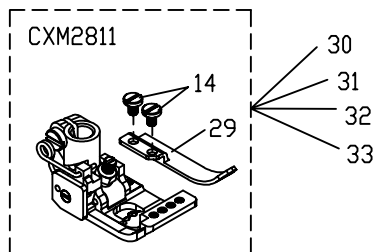
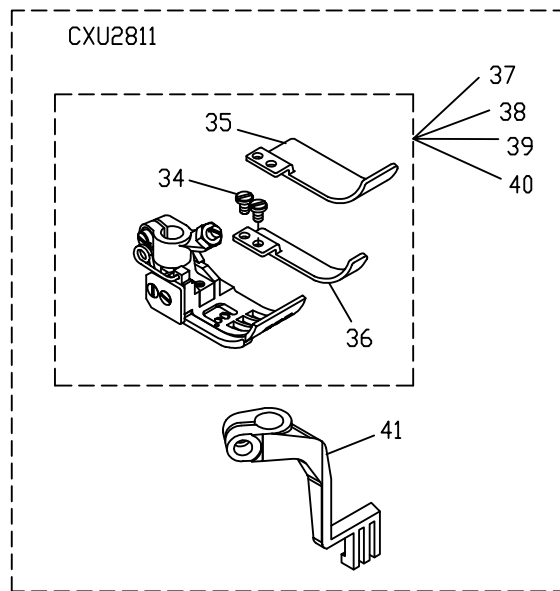
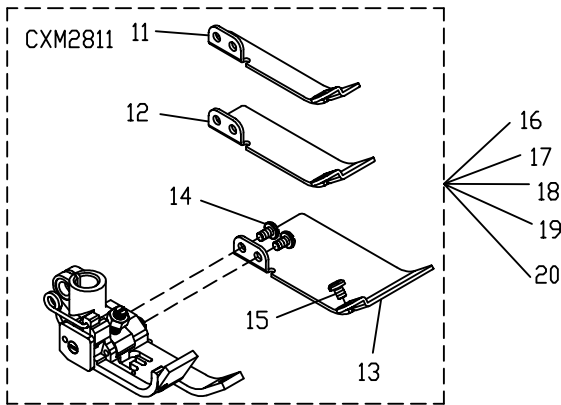
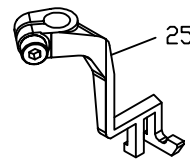
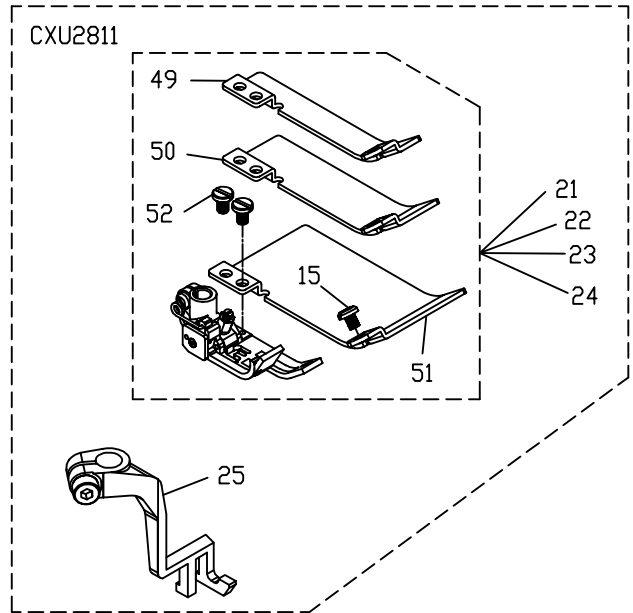
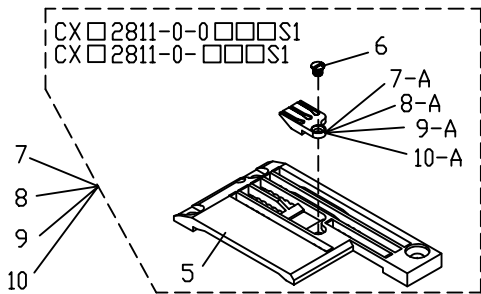
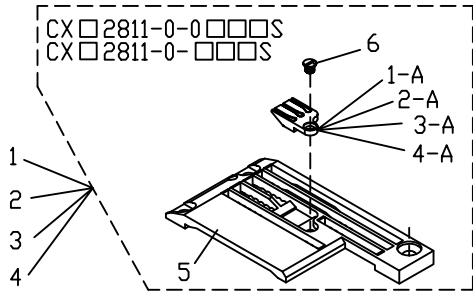
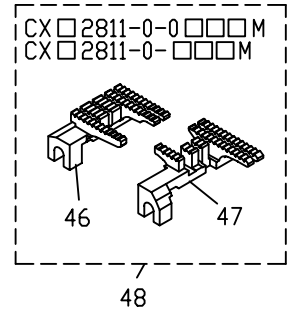
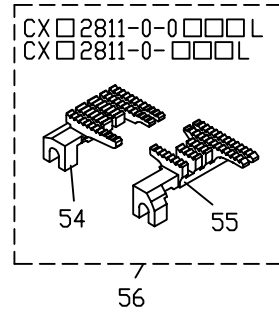
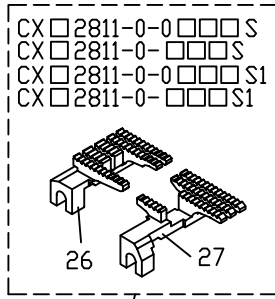
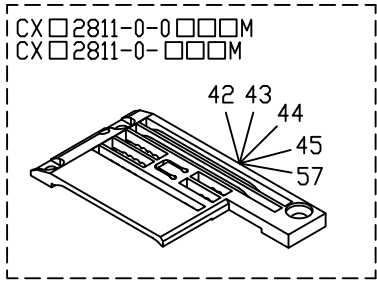
Subclass / Remark	Date
	2025/11/10

### Conservation Covers And Guide Components

序號 Ref.No	物料編號 Parts No.	名稱 Description	單位用量 Amt.Req.
1	22681102011	下軸外蓋 Cloth Plate -----	1
2	2268110202	防塵蓋 Dust Cover -----	1
3	2200000124	孟形墊圈 Disc Washer -----	1
4	8MC04280512B	螺絲 Screw (C90232 M4-0.7*5) -----	1
5	2268110205	滑道 Guide -----	1
6	2270000202	磁鐵 Magnet -----	1
7	2273110207	導模 Edge Guide -----	1
8	2268110208	導模 Edge Guide -----	1
9	2273110209	間隔環 Space Washer -----	2
10	2268110210	護蓋 Cover -----	1
11	2268110211	護線蓋 Cloth Plate -----	1
12	2268110212	導模 Edge Guide -----	1
13	8MP04281008A	螺絲 Screw (MT0250 M4-0.7*10) -----	1
14	2268110214	下座前蓋 Front Cover -----	1
15	8MP03200606A	螺絲 Screw (MT0142 M3-0.5*6) -----	4
16	2210000547	墊圈 Washer -----	4
17	2268110217	吸風管 Suction Pipe -----	1
18	2273110102	管束 Hose Clamp -----	1
19	226A8110219	差動變換桿組 Lever Set -----	1
20	2260001126	差動游標軸 Shaft -----	1
21	-----	-----	-
22	-----	-----	-
23	2273110338	差動變換桿 Lever -----	1
24	8MB04280807K	螺絲 Screw (CT0215 M4-0.7*8) -----	1
25	2273110339	差動刻記板 Regulator Plate -----	1
26	8MB04281207K	螺絲 Screw (CT0239 M4-0.7*12) -----	2
27	90DW040	孟型墊圈 Dick Washer -----	2
28	2100000223	墊圈 Washer -----	6
29	8MB04280507K	螺絲 Screw (FT0235 M4-0.7*5) -----	2

### 3. CXM2811 / CXU2811 車型定規列表 Gauge Parts List

Subclass / Remark	Date
	2025/11/10



53. 螺絲用量列表 Screw Req.

	針數 Number Of Needle / 針距 Distance Of Needles			
	2 Needle / 4.0	3 Needle / 4.8	3 Needle / 5.6	3 Needle / 6.4
物料編號 Parts No.	8SH32440300A ( SH0465 1/8"-44*2.5 )	8SG24560300A ( FT60-01-30 3/32"-56*2.3 )	8SH32440300A ( SH0465 1/8"-44*2.5 )	
單位用量 Amt. Req.	2		3	

### 3. CXM2811 / CXU2811 車型定規列表 Gauge Parts List

Subclass / Remark	Date
	2025/11/10

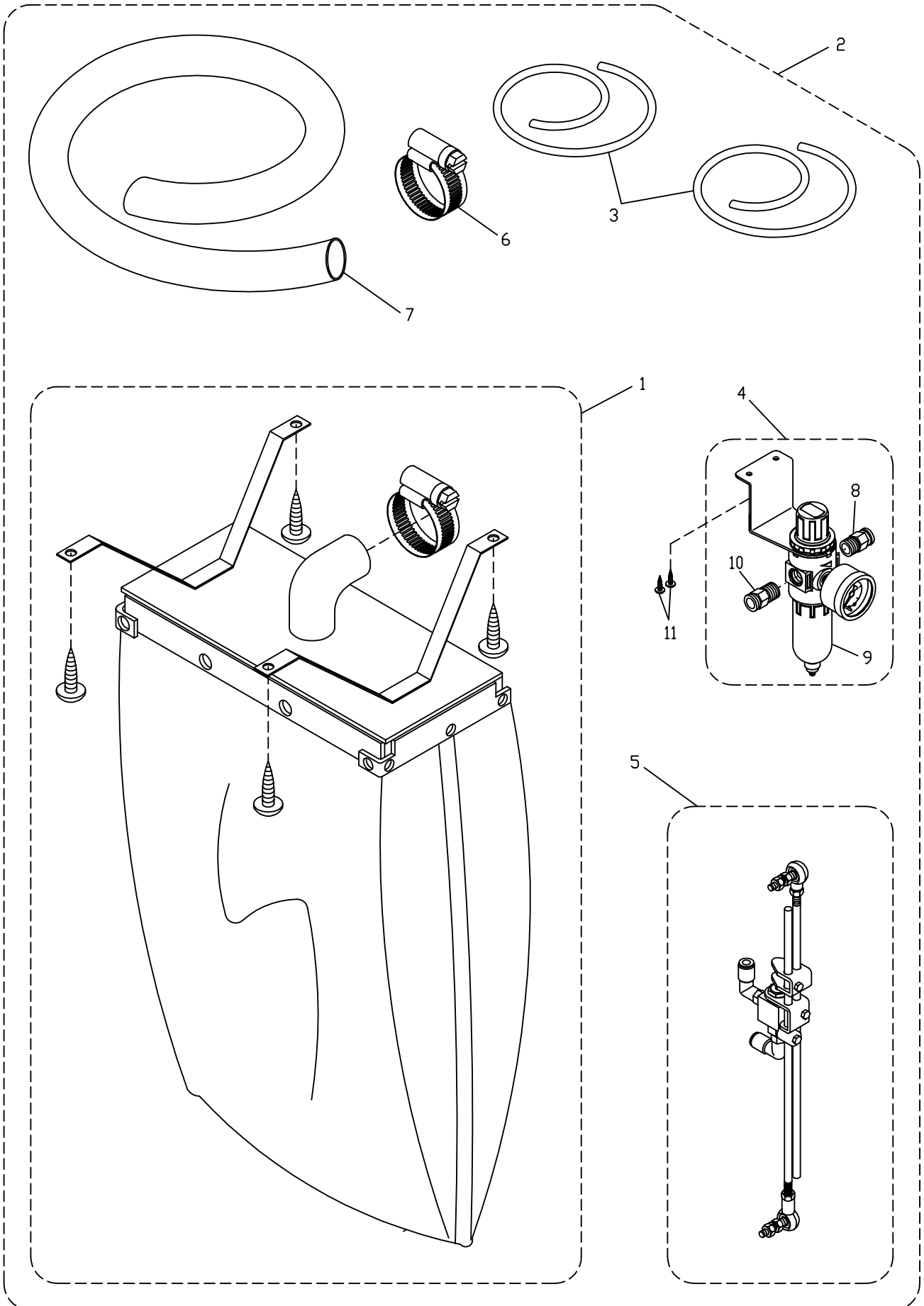
序號 Ref.No.	物料編號 Parts No.	名稱 Description	單位用量 Amt. Req.
1	5226TPL1400	針板組 Throat Plate Asm (4.0)	1
1-A	5222TPL140A	針板舌 Stitch plate Tongue (4.0)	1
2	5226TPL1480	針板組 Throat Plate Asm (3 needle 4.8)	1
2-A	5222TPL148A	針板舌 Stitch plate Tongue (3 needle 4.8)	1
3	5226TPL1560	針板組 Throat Plate Asm (5.6)	1
3-A	5222TPL156A	針板舌 Stitch plate Tongue (5.6)	1
4	5226TPL1640	針板組 Throat Plate Asm (6.4)	1
4-A	5222TPL164A	針板舌 Stitch plate Tongue (6.4)	1
5	5226TPL156B	針板 Throat Plate	1
6	8SE24560303A	螺絲 Screw (CT3110159 3/32"-56*2.7)	1
7	5226TPL1401	針板組 Throat Plate Asm (4.0)	1
7-A	5222TPL140C	針板舌 Stitch plate Tongue (4.0)	1
8	5226TPL1481	針板組 Throat Plate Asm (3 needle 4.8)	1
8-A	5222TPL148C	針板舌 Stitch plate Tongue (3 needle 4.8)	1
9	5226TPL1561	針板組 Throat Plate Asm (5.6)	1
9-A	5222TPL156C	針板舌 Stitch plate Tongue (5.6)	1
10	5226TPL1641	針板組 Throat Plate Asm (6.4)	1
10-A	5222TPL164C	針板舌 Stitch plate Tongue (6.4)	1
11	5222PFL156J	輔助壓腳底 Hinged Type Presser Foot	1
12	5222PFL156K	輔助壓腳底 Hinged Type Presser Foot	1
13	5222PFL156L	輔助壓腳底 Hinged Type Presser Foot	1
*14	8SB24560405A	螺絲 Screw (SH0413 3/32"-56*4)	2
15	8SB24560305A	螺絲 Screw (SH1045 3/32"-56*3)	1
16	5222PFL1400	壓腳組 Presser Foot Asm (4.0)	1
17	5222PFL1480	壓腳組 Presser Foot Asm (4.8)	1
18	5222PFL1481	壓腳組 Presser Foot Asm ((3 needle 4.8))	1
19	5222PFL1560	壓腳組 Presser Foot Asm (5.6)	1
20	5222PFL1640	壓腳組 Presser Foot Asm (6.4)	1
21	5227PFTL1401	壓腳組 Presser Foot Asm (4.0)	1
22	5227PFTL1481	壓腳組 Presser Foot Asm ((3 needle 4.8))	1
23	5227PFTL1561	壓腳組 Presser Foot Asm (5.6)	1
24	5227PFTL1641	壓腳組 Presser Foot Asm (6.4)	1
25	5227DGTL1560	送布齒 Top Feed Dog	1
26	5226FDL1560	主送布齒 Main Feed Dog	1
27	5226DFL1560	副送布齒 Diff Feed Dog	1
28	5226DG0013	送布齒組 Feed Dog Set	1
*29	5222PF1156B	輔助壓腳底 Hinged Type Presser Foot	1
*30	5222PF11400	壓腳組 Presser Foot Asm (4.0)	1
*31	5222PF11480	壓腳組 Presser Foot Asm (4.8)	1
*32	5222PF11560	壓腳組 Presser Foot Asm (5.6)	1
*33	5222PF11640	壓腳組 Presser Foot Asm (6.4)	1
*34	8SB24560404A	螺絲 Screw (FT1001 3/32"-56*3.8)	2
*35	5227PFT00562K	輔助壓腳底 Hinged Type Presser Foot	1
*36	5227PFT00562J	輔助壓腳底 Hinged Type Presser Foot	1
*37	5227PFT00402	壓腳組 Presser Foot Asm (4.0)	1
*38	5227PFT00482	壓腳組 Presser Foot Asm (4.8)	1
*39	5227PFT00562	壓腳組 Presser Foot Asm (5.6)	1
*40	5227PFT00642	壓腳組 Presser Foot Asm (6.4)	1
*41	5227DGT00560	送布齒 Top Feed Dog	1
42	5226TPL1402	針板 Throat Plate (4.0)	1
43	5226TPL1482	針板 Throat Plate (4.8)	1
44	5226TPL1562	針板 Throat Plate (5.6)	1
45	5226TPL1642	針板 Throat Plate (6.4)	1
46	5226FDL1561	主送布齒 Main Feed Dog	1
47	5226DFL1561	副送布齒 Diff Feed Dog	1
48	5226DG0014	送布齒組 Feed Dog Set	1
49	5227PFTL156J	輔助壓腳底 Hinged Type Presser Foot	1
50	5227PFTL156K	輔助壓腳底 Hinged Type Presser Foot	1
51	5227PFTL156L	輔助壓腳底 Hinged Type Presser Foot	1
52	8SB24560404A	螺絲 Screw (FT1001 3/32"-56*3.8)	2
53	-----	螺絲 Screw (See left page)	-
54	5226FDL1562	主送布齒 Main Feed Dog	1
55	5226DFL1562	副送布齒 Diff Feed Dog	1
56	5226DG0015	送布齒組 Feed Dog Set	1
*57	5226TPL1403	針板 Throat Plate (4.0)	1

\* : 特註品 Custom-Item

4. CT9311 / CTD9311 / CTU9311 / CXM2311  
CXU2311 / CXM2311-1 / CXU2311-1 / CT9811

Subclass / Remark	Date
	2025/11/10

CTD9811 / CTU9811 / CXM2811 / CXU2811 集塵袋組 Lint Collector



4. CT9311 / CTD9311 / CTU9311 / CXM2311  
 CXU2311 / CXM2311-1 / CXU2311-1 / CT9811

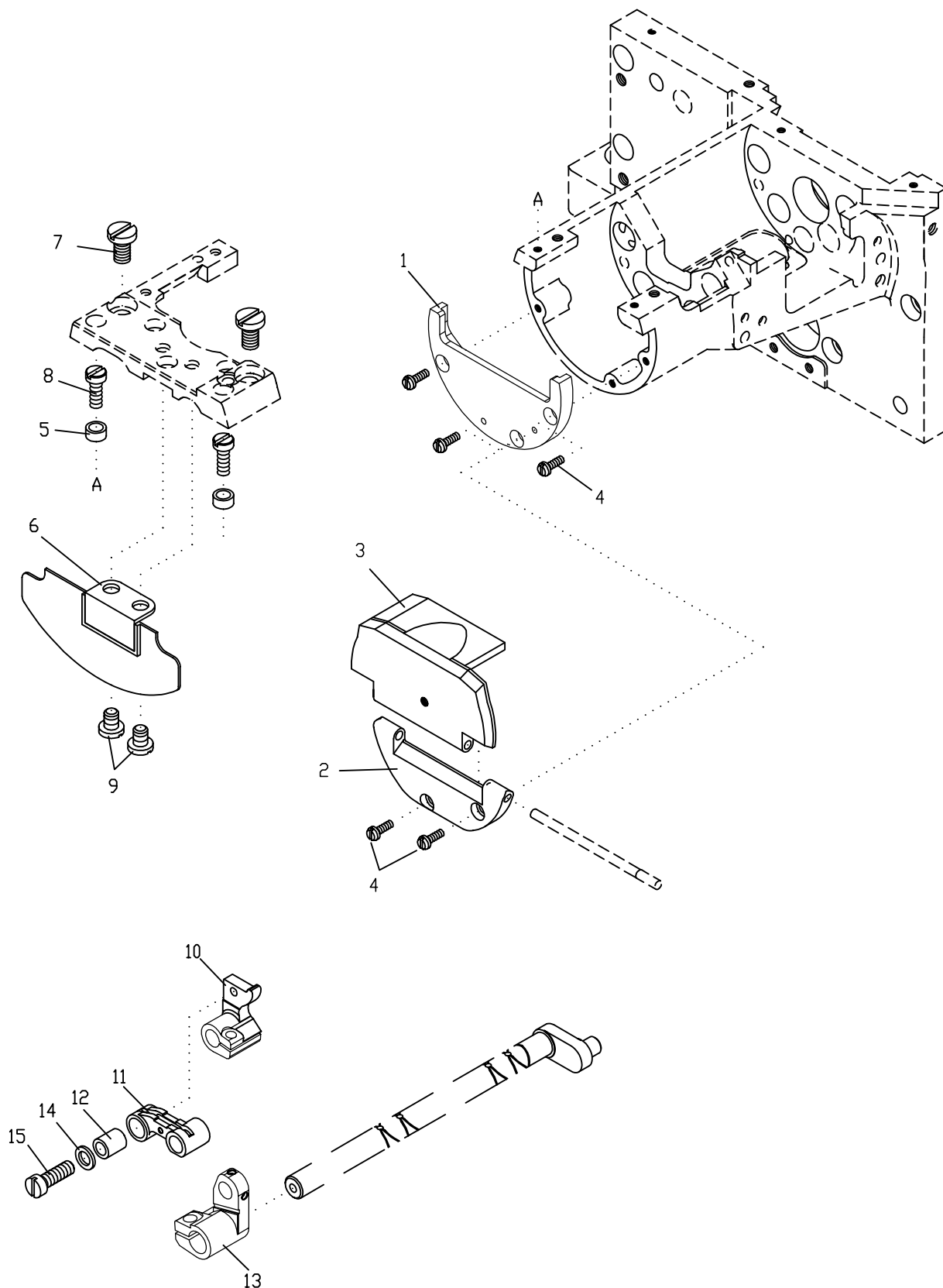
Subclass / Remark	Date
	2025/11/10

CTD9811 / CTU9811 / CXM2811 / CXU2811 集塵袋組 Lint Collector

序號 Ref.No.	物料編號 Parts No.	名稱 Description	單位用量 Amt.Req.
1	4CV0070101	布袋組 Bag Asm. -----	1
2	CV107	集塵袋組 Fabric bag Asm. -----	1
3	4CV0070103	φ6空氣管 Air Tube ( L= 1300mm ) -----	2
4	4TCS09A0309	調壓濾水閥組 Regulator Asm. -----	1
5	4CV0070105	連桿組 Link Asm-----	1
6	4CV0070106	管束 Hose Clamp-----	1
7	4CV1070107	氣壓管 Tube ( φ 22 Connector) -----	1
8	4AL0120103	φ6空氣管接頭 Connector -----	1
9	4UTB0004321	調壓濾水閥 Regulator -----	1
10	4UTB010456	φ8空氣管接頭 Connector -----	1
11	8WD30000015B	木螺絲 Wood Screw -----	2

# 5. CXM2811 / CXU2811 專用零件 Exclusive Parts

Subclass / Remark	Date
	2026/03/02



5. CXM2811 / CXU2811 專用零件 Exclusive Parts

Subclass / Remark	Date
	2026/03/02

序號 Ref.No.	物料編號 Parts No.	名稱 Description	單位用量 Amt. Req.
1	22600001111	側蓋 Side Cover -----	1
2	22600001112	絞鏈 Hinge -----	1
3	22600001113	下軸側蓋 Side Cover -----	1
4	8MB03200806K	螺絲 Screw (CT0623 M3-0.5*8) -----	5
5	2260000205	隔環 Spacer -----	2
6	2260000219	油封 Gasket -----	1
7	8MB04280607A	螺絲 Screw (CT350202 M4-0.7*6) -----	2
8	8MB03200705A	螺絲 Screw (CT960232 M3-0.5*6.5) -----	2
9	8MB85240505A	螺絲 Screw (PS010106 M3.5-0.6*5) -----	2
10	22600012011	曲柄 Lever -----	1
11	2260001203	連桿 Link -----	1
12	2260001204	隔環 Spacer -----	1
13	2260001218	曲柄 Lever -----	1
14	2200001025	墊圈 Washer -----	1
15	8MB95301407K	螺絲 Screw(CT0620 M4.5-0.75*14) -----	1